



reze®

## Technical Product Catalogue

- 1 Certificates
- 2 Adjustment and Maintenance
- 3 Product Selection Tables
- 4 Gears
- 5 Stay Arms
- 6 Locks
- 7 Hinges
- 8 Covers
- 9 Strikers
- 10 Accessories
- 11 Multi-Point Door Locks
- 12 Adjustable 3D Door Hinges
- 13 Equipment



Our company, that producing the metal and plastic components for windows and doors under **REZE** trade mark, was founded in Istanbul in 2009.

Company's production lines equipped with the most modern technologies, are located in the workshops with a total area of 8.000 square meters and represent a dynamic and constantly developing industrial complex.

Due to the progressive **tools design department**, as well as with particular emphasis on process **automatisation** and **innovation**, our company develops and manufactures high-quality products, capable of satisfying the most demanding customers.

### **Our mission;**

Paying maximum attention to **personnel** and investing in them, to create a strong foundation for the continuous production process high-quality and environmentally friendly products, taking into account all the wishes and preferences of its users.

### **Our vision;**

Create a team of associates for the achievement of the overall results, and to achieve maximum success in the current and planned markets, using teamwork and active promotion.

■ Certificates





## Reze Warranty ;

- Tilt & Turn Systems, Multipoint Door Locks and Adjustable Door Hinges under Reze trademark are manufactured by Yaba Yapı Donanımları San. ve Tic. Ltd. Şti. in the factory that located in Istanbul.
- Yaba Yapı Donanımları San. ve Tic. Ltd. Şti. company tends to the highest level of the quality in the production process, sales and support for all of its products in order to meet needs and expectations of its customers and end users.
- All products are regularly held at the quality test on special equipment in accordance with EN norms.
- All our special manufacturing technologies and know-hows according the products are appropriately registered and have the Utility Model Certificate No. TR 2009 08100 Y.
- Tilt & Turn systems tests are conducted in accordance on compliance with the standard EN 13126-8: 2006 (15.000 tilt and turn opening cycles).
- Door hinges tests are conducted in accordance on compliance with the standard EN1935: 2002. (200.000 cycles of opening).
- All galvanic coated production is tested for compliance with EN 1670-1, and tests are carried out on special equipment and in accordance with the requirements of ISO 9227.

## Guarantee Conditions;

- In case of installation was done according to instructions and the recommendations of manual, the warranty of perform a mechanical process of opening and closing for all products is 10 years.
- The guarantee does not apply to cases in which the product or part thereof comes into disrepair as a result of improper installation, damage caused or the impact of unusual weather conditions and force majeure.
- Products, that appropriate to warranty conditions should be replaced by the manufacturer.



## DSTU - Ukraine

**СЕРТИФІКАТ ВІДПОВІДНОСТІ**  
**CERTIFICATE OF CONFORMITY**

Зареєстровано в реєстрі органу з оцінки відповідності «Міжнародні стандарти і системи» за № UA.PN.060.0566-18

Термін дії: 05.06.2018 до 04.06.2020

Сертифікат видано: REZE YAPI DONANIMLARI SAN. ve TIC. A.Ş., Ömerli Mahallesi, Uçurtma Sokak No: 2, K: 1, 34555 Arnavutköy / İSTANBUL, Туреччина за дорученням № б/н від 24.05.2018 р., видане YABA YAPI DONANIMLARI SAN. ve TIC. LTD. ŞTİ., Ömerli Mahallesi Uçurtma Sokak No:2 Kat: 1-2 34555 Arnavutköy / İstanbul / TÜRKİYE, Туреччина

Продукція: Фурнітура для вікон та дверей: арматура крильця, закріплення системи крильця для вікон та дверей TM REZE 8302

Відповідає вимогам: DSTU Б В.2.6-13:2006 п.п. 5.2.2-5.3.4; 5.3.9-5.3.10; 5.5.2; 5.6.2; 5.6.4; DSTU Б В.2.6-28:2006 п.п. 5.7.1; 5.7.5; 5.7.8; 5.7.10; 5.7.11; 5.7.14; 5.7.16; 5.11.3; 5.12.1.1-5.12.1.3; DSTU Б В.2.6-32:2007 п.п. 5.2.2-5.2.5, 5.2.7, 5.3.7, 5.3.10; 5.5.5. (сертифікація продукції), що виготовляється серійно, з аналізом документації

Виробник продукції: YABA YAPI DONANIMLARI SAN. ve TIC. LTD. ŞTİ., Ömerli Mahallesi Uçurtma Sokak No:2 Kat: 1-2, 34555 Arnavutköy / İstanbul / TÜRKİYE, Туреччина

Додаткова інформація: Продукція, що виготовляється серійно з 05.06.2018 р. до 04.06.2020 р., з урахуванням гарантійного терміну зберігання, технічних наряд на один рік. Добровільна сертифікація

Сертифікат видано органом з оцінки відповідності: ООВ «Міжнародні стандарти і системи», 61072, м. Харків, проспект Науки, 43, кім. 3-1, код ЄДРПОУ 3495219, тел. (057) 763 08 67.

На підставі: Протокол сертифікаційних випробувань № 2018.02.06.05.13 від 05.06.2018 р., виданого Національним РІ ТОВ «КАДМІТЕК Г», 61033, м. Харків, вул. Весілля, 5, код ЄДРПОУ 3718889. Акт обстеження виробництва № 066/104/05-18 від 05.06.2018 р.

Керівник органу з сертифікації: А.М. Сергєєвчук

## GOST - Russia

**СИСТЕМА СЕРТИФИКАЦИИ ГОСТ Р**  
**ФЕДЕРАЛЬНОЕ АГЕНТСТВО ПО ТЕХНИЧЕСКОМУ РЕГУЛИРОВАНИЮ И МЕТРОЛОГИИ**

**СЕРТИФИКАТ СООТВЕТСТВИЯ**

№ РОСС TR.НА36.H016096  
 Срок действия с 22.11.2018 по 21.11.2021  
 № 0344310

ОРГАН ПО СЕРТИФИКАЦИИ: R.A.RU.10HA36

Орган по сертификации продукции ООО "ТНК" Адрес: 236038, РОССИЯ, Калининградская область, г. Калининград, ул. Ю.Гагарина, д. 16, стр. Г, оф. 3, 4, 5. Телефон: 8-917-622-5741, адрес электронной почты: tnk-ou@yandex.ru

ПРОДУКЦИЯ: Устройства поворотно-откидные, поворотное, откидаемое для оконных и дверных блоков из поливинилхлоридных профильных торговых марок "REZE", типы (соответ. приложению Бланк № 0057666). Серийный выпуск. код ОК: 25.72.14.120

СООТВЕТСТВУЕТ ТРЕБОВАНИЯМ НОРМАТИВНЫХ ДОКУМЕНТОВ: ГОСТ 30777-2012, ГОСТ 538-2014 код ТН ВЭД: См. приложение

ИЗГОТОВИТЕЛЬ: "Yaba Yapi Donanimlari San. Tic. Ltd. Sti." Адрес: ТУРЦИЯ, Ömerli Mahallesi Uçurtma Sokak No:2 Kat: 1-2 34555 Arnavutköy / İstanbul / TÜRKİYE, телефон/факс: +90 212 671 78 20.

СЕРТИФИКАТ ВЫДАН: "Reze Yapi Donanimlari San. Tic. A.S." Адрес: ТУРЦИЯ, Ömerli Mahallesi Uçurtma Sokak No:2 Kat: 1 34555 Arnavutköy / İstanbul / TÜRKİYE, телефон/факс: +90 212 671 78 20

НА ОСНОВАНИИ: Протокол испытаний № 001/Н-22/11/8 от 22.11.2018 года, выданный Испытательной Лабораторией «Тест-Эксперт» (Аттестат аккредитации № РОСС RU.31578.04.01.НПО.ИЛ03 от 09.01.2017 года по 09.01.2020).

ДОПОЛНИТЕЛЬНАЯ ИНФОРМАЦИЯ: Серийная сертификация: 3. Руководитель органа: С.Е. Федоров. Эксперт: И.Р. Демьянов.

## ISO 9001 : 2015

**Kalitest**

**SERTİFİKA-CERTIFICATE OF REGISTRATION**

Bu sertifika aşağıdaki kuruluşa  
 This certificate has been awarded to the company

**reze** YABA YAPI DONANIMLARI SANAYİ TİCARET LİMİTED ŞİRKETİ  
 Window & Door Systems Akçaburgaz Mah. 3090 Sok. No:5 34522 Esenyurt/İSTANBUL

Uygulanmakta olan kalite yönetim sisteminin  
 To certify that the implemented quality management system complies with

**ISO 9001:2015**

Standartına uygunluğunu belgelendirmek amacı ile aşağıdaki kapsamda verilmiştir.  
 For the activities described below

PVC'den Üretilen Kapı, Pencere için Aksesuar ve Bağlantı Elemanları Üretimi, Satışı  
 Sale and Production of Accessories and Fasteners for Doors, Windows Produced by PVC

EAC 17

Kalitest Belgelendirme ve Eğitim Hizmetleri Ltd. Şti. : K-QM-4667

İmza: Signed

Sertifika No: K-QM-4667  
 İlk Belgelendirme Tarihi: 24.05.2017  
 Belge Geçerlilik Süresi: 3 yıl / years  
 Sertifikasyon Tarihi: 24.05.2017  
 Belge Tarihi: 24.05.2020

bu sertifikasyon geçerliliği firmamızın KALİTEST Sertifika Yürütme Şişmesi tarafından ve yolda en az bir kez yapılacak güncelleme denetimlerinin başarılı geçmesiyle bağlıdır.

The validity of this certificate depends on the company's conformity with the ISO 9001:2015 standard and the result of the surveillance audits which will be carried out at least once in a year.

## DIN EN 13126-8:2018-01

PIV Profinatut Schlosser Wallstraße 41 Fon +49(0)2051/9506 5 piv.velbert@online.de  
 und Beschläge Velbert D-42551 Velbert Fax +49(0)2051/93006 0 www.pivvelbert.de

**PRÜFZEUGNIS** DIN EN 13126-8:2018-01  
 Test Certificate

Nr./ No. 32-13/17

Der Firma  
 We confirm, that the manufacturer YABA YAPI DONANIMLARI SAN. TIC. LTD. ŞTİ. Ömerli Mahallesi, Uçurtma Sokak No:2 Kat:1-2 Arnavutköy / İstanbul

wird bescheinigt, dass sie am 26. Januar/ January 2018  
 at the date of

die Anforderungen der DIN EN 13126-8  
 meets the requirements of DIN EN 13126-8

für das Produkt REZE TILT AND TURN MECHANISM  
 for the product

in der Ausführung Drehkippbeschlag  
 in the version Tilt & Turn hardware

entsprechend dem folgenden Klassifikationsschlüssel erfüllt hat:  
 that complies with the classification

Dauerfunktionsfähigkeit durability	Masse mass	Korrosionsbeständigkeit corrosion resistance	Prüfgrößen size of function
H2	100	4	1.300x1.200

Diesem Prüfzeugnis liegt der Prüfbericht Nr. 32-13/17 des PIV als Beurteilungsgrundlage zugrunde. Die Gültigkeit des Prüfzeugnisses bleibt so lange erhalten, wie sich die Prüfgrundlage und /oder das geprüfte Produkt nicht ändern.  
 This certificate is based on the evaluation of test report No. 32-13/17 by PIV. The validity of the test certificate will remain as long as the testing base and the product are not changed.

D.42551 Velbert, den 28. Februar/ February 2018

O. Lechte  
 Stellv. Laborleiter/  
 Deputy Laboratory Manager

S. Dürvisovic, Staatl. gepr. Techniker/  
 Certified Technician  
 Prüfer/ Verifier

Dies ist eine Urkundenseite.  
 Teilweise Veröffentlichung oder veränderte Wiedergabe ist untersagt. Missachtung bedeutet Urkundenfälschung.  
 This is a document page. Partly publication or changed use is forbidden. disregard means document forgery.

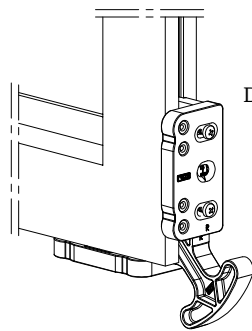
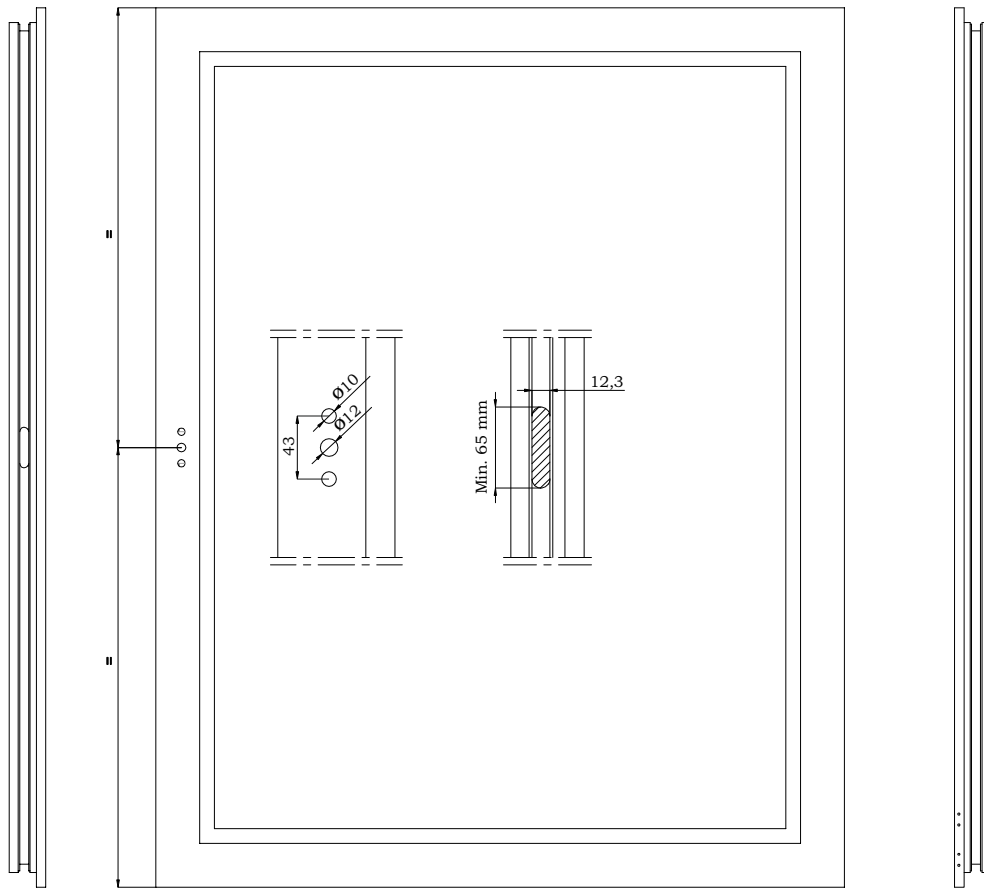
Akkreditierte Prüfstelle nach DIN EN ISO/IEC 17025  
 Akkreditierte Zertifizierungsstelle nach DIN EN ISO/IEC 17065  
 Überwachungs- und Zertifizierungsstelle nach dem Bauproduktengesetz (BauPG)  
 RAL-Prüfstelle für Schösser und Beschläge nach RAL-RG/52.607 / II  
 Überwachungs- und Zertifizierungsstelle nach Landesverordnung (LVO)  
 Bau-BG-Prüfstelle für Fahrwerkrollen - DIN CERTCO anerkannte Prüfstelle

Institutionierung:  
 Over Instruk, Dpt-Ing. (FH)  
 Es gelten unsere Geschäftsbedingungen

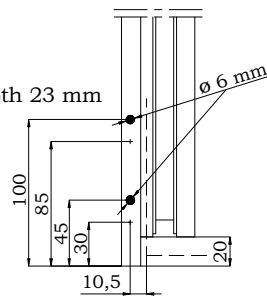
Dakks  
 Deutsche Akkreditierungsstelle  
 DAKKS-13000010-01

- Installation, adjustment and maintenance

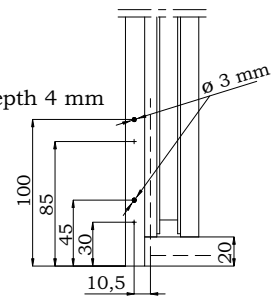




Drilling depth 23 mm

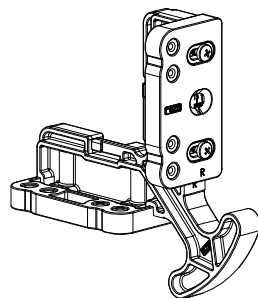


Drilling depth 4 mm



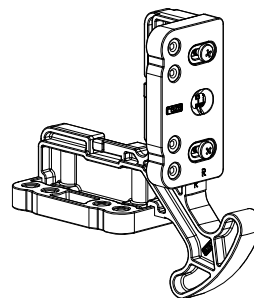
Product code 222104

(Casement jig; Axe 9/13 mm; Right/Left; hole diameter 6 mm)

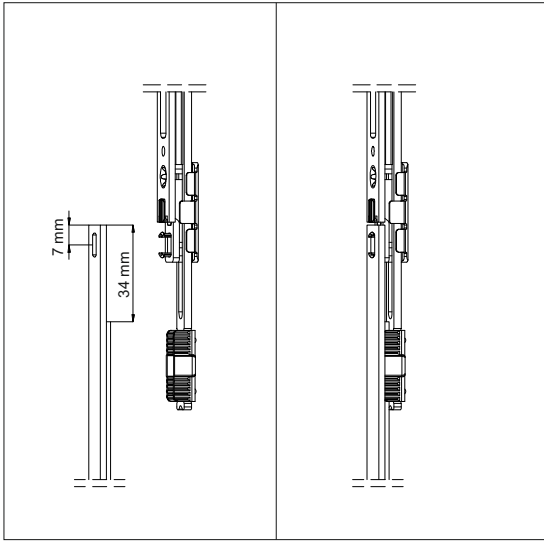


Product code 222103

(Casement jig; Axe 9/13 mm; Right/Left; hole diameter 3 mm)

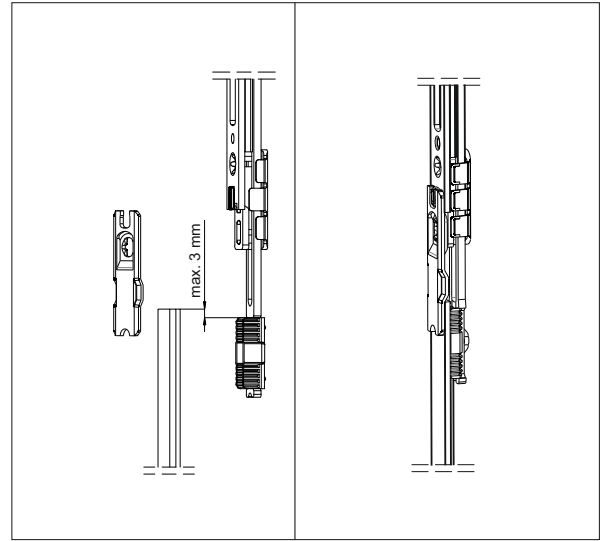


Application with cutting by pneumatic press.

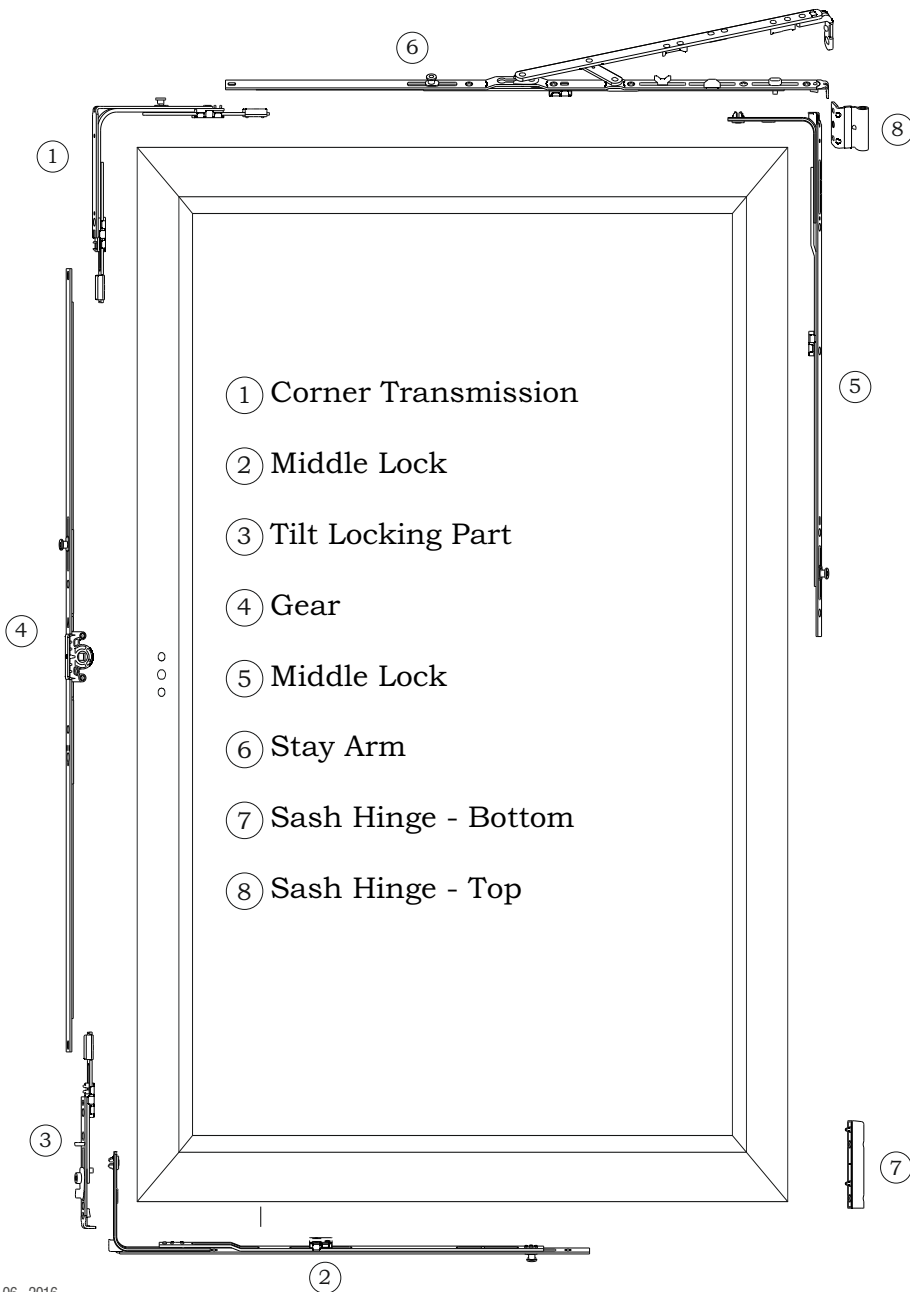


Connecting Parts is not apply

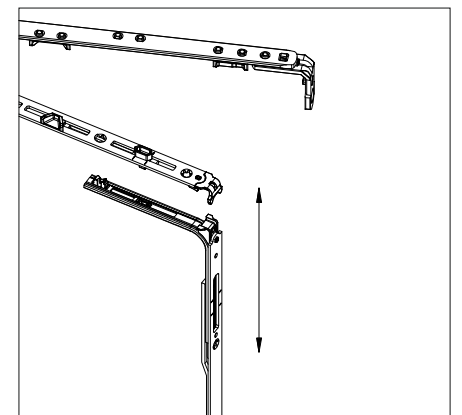
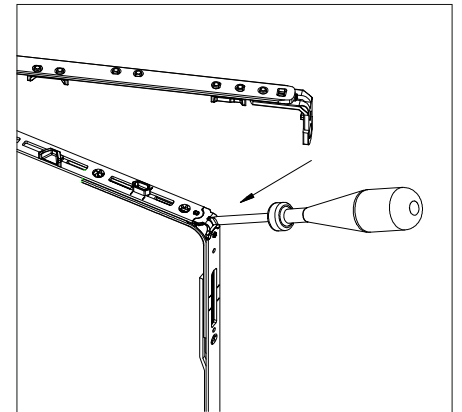
Application with manual cut.



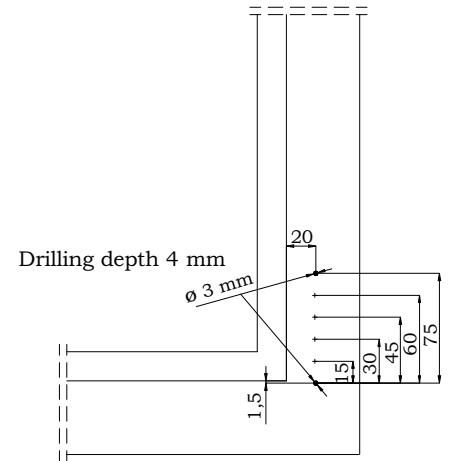
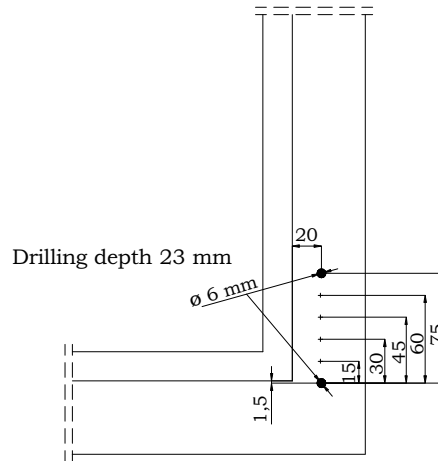
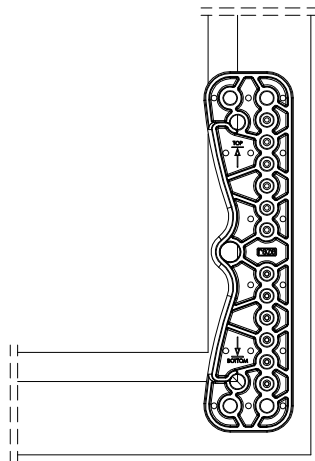
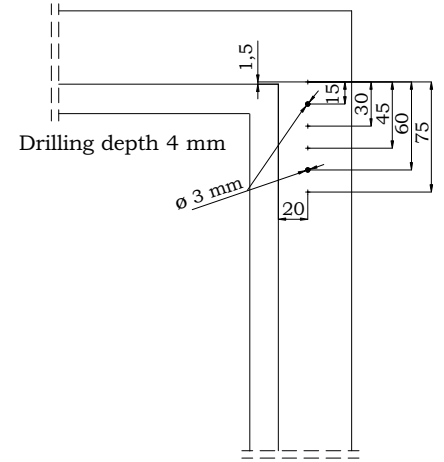
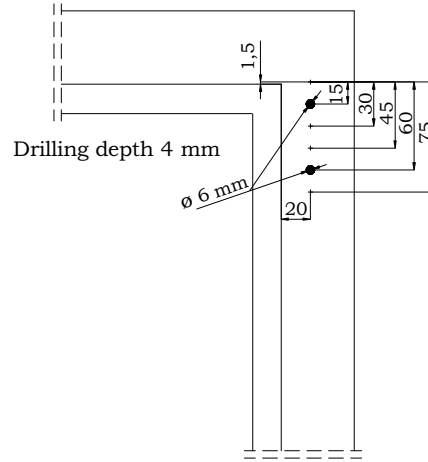
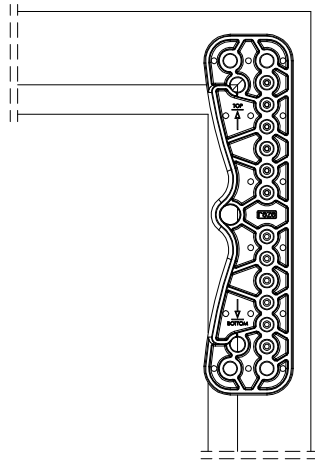
Connecting Parts is apply



- ① Corner Transmission
- ② Middle Lock
- ③ Tilt Locking Part
- ④ Gear
- ⑤ Middle Lock
- ⑥ Stay Arm
- ⑦ Sash Hinge - Bottom
- ⑧ Sash Hinge - Top



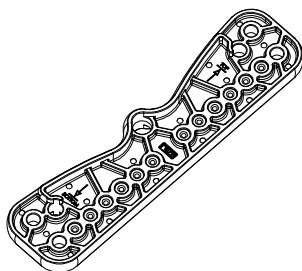
## Frame Hinge Top



## Frame Hinge Bottom

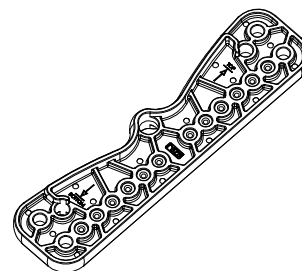
Product code 222102

(Frame jig; Axe 9/13 mm; Right/Left; hole diameter 6 mm)

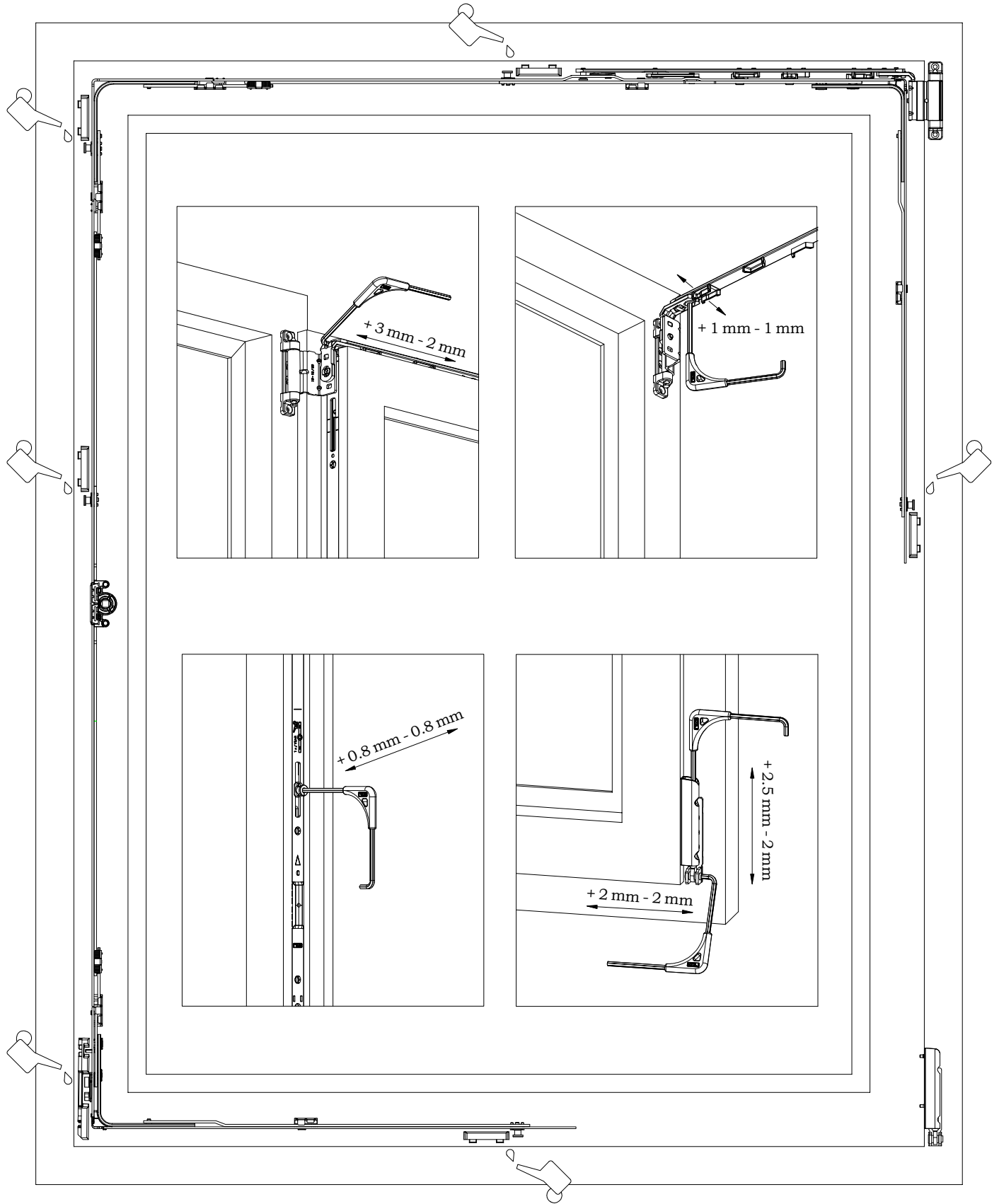


Product code 222101

(Frame jig; Axe 9/13 mm; Right/Left; hole diameter 3 mm)





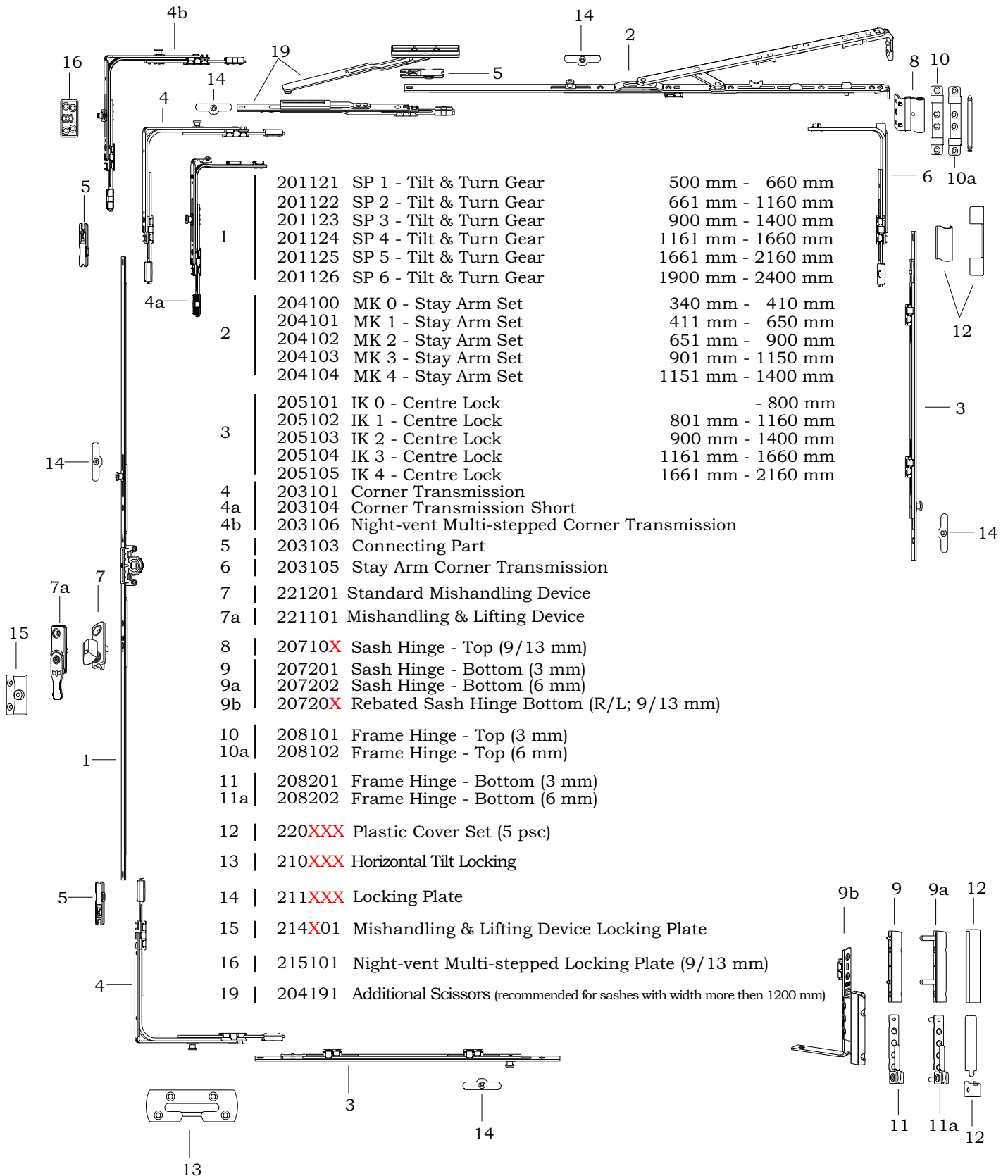


■ Product Selection Tables





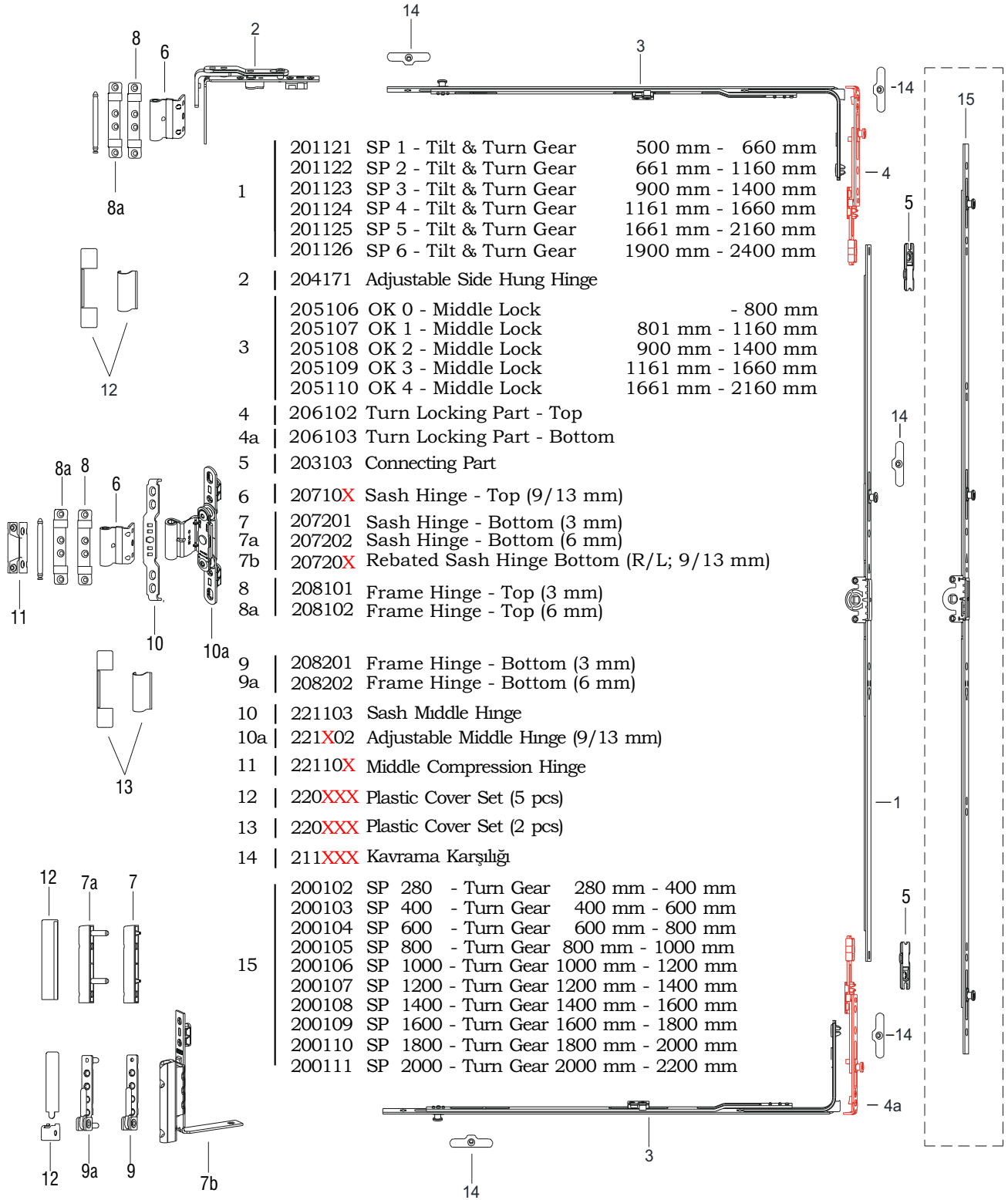
1	201121 SP 1 - Tilt & Turn Gear 201122 SP 2 - Tilt & Turn Gear 201123 SP 3 - Tilt & Turn Gear 201124 SP 4 - Tilt & Turn Gear 201125 SP 5 - Tilt & Turn Gear 201126 SP 6 - Tilt & Turn Gear	500 mm - 660 mm 661 mm - 1160 mm 900 mm - 1400 mm 1161 mm - 1660 mm 1661 mm - 2160 mm 1900 mm - 2400 mm
2	204100 MK 0 - Stay Arm Set 204101 MK 1 - Stay Arm Set 204102 MK 2 - Stay Arm Set 204103 MK 3 - Stay Arm Set 204104 MK 4 - Stay Arm Set	340 mm - 410 mm 411 mm - 650 mm 651 mm - 900 mm 901 mm - 1150 mm 1151 mm - 1400 mm
3	205106 OK 0 - Middle Lock 205107 OK 1 - Middle Lock 205108 OK 2 - Middle Lock 205109 OK 3 - Middle Lock 205110 OK 4 - Middle Lock	- 800 mm 801 mm - 1160 mm 900 mm - 1400 mm 1161 mm - 1660 mm 1661 mm - 2160 mm
4	203101 Corner Transmission	
4a	203104 Corner Transmission Short	
4b	203106 Night-vent Multi-stepped Corner Transmission	
5	203103 Connecting Parts	
6	206101 Tilt Locking Part	
7	221201 Standard Mishandling Device	
7a	221101 Mishandling & Lifting Device	
8	20710X Sash Hinge - Top (9/13 mm)	
9	207201 Sash Hinge - Bottom (3 mm)	
9a	207202 Sash Hinge - Bottom (6 mm)	
9b	20720X Rebated Sash Hinge Bottom (R/L; 9/13 mm)	
10	208101 Frame Hinge - Top (3 mm)	
10a	208102 Frame Hinge - Top (6 mm)	
11	208201 Frame Hinge - Bottom (3 mm)	
11a	208202 Frame Hinge - Bottom (6 mm)	
12	220XXX Plastic Cover Set (5 psc)	
13	209XXX Vertical Tilt Locking	
14	211XXX Locking Plate	
15	214X01 Mishandling & Lifting Device Locking Plate	
16	215101 Night-vent Multi-stepped Locking Plate (9/13 mm)	
19	204191 Additional Scissors (recommended for sashes with width more than 1200 mm)	



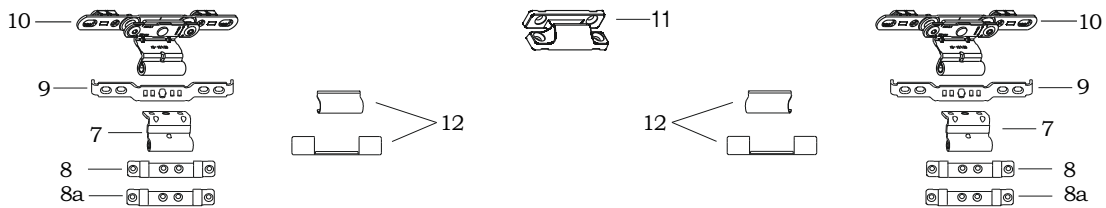
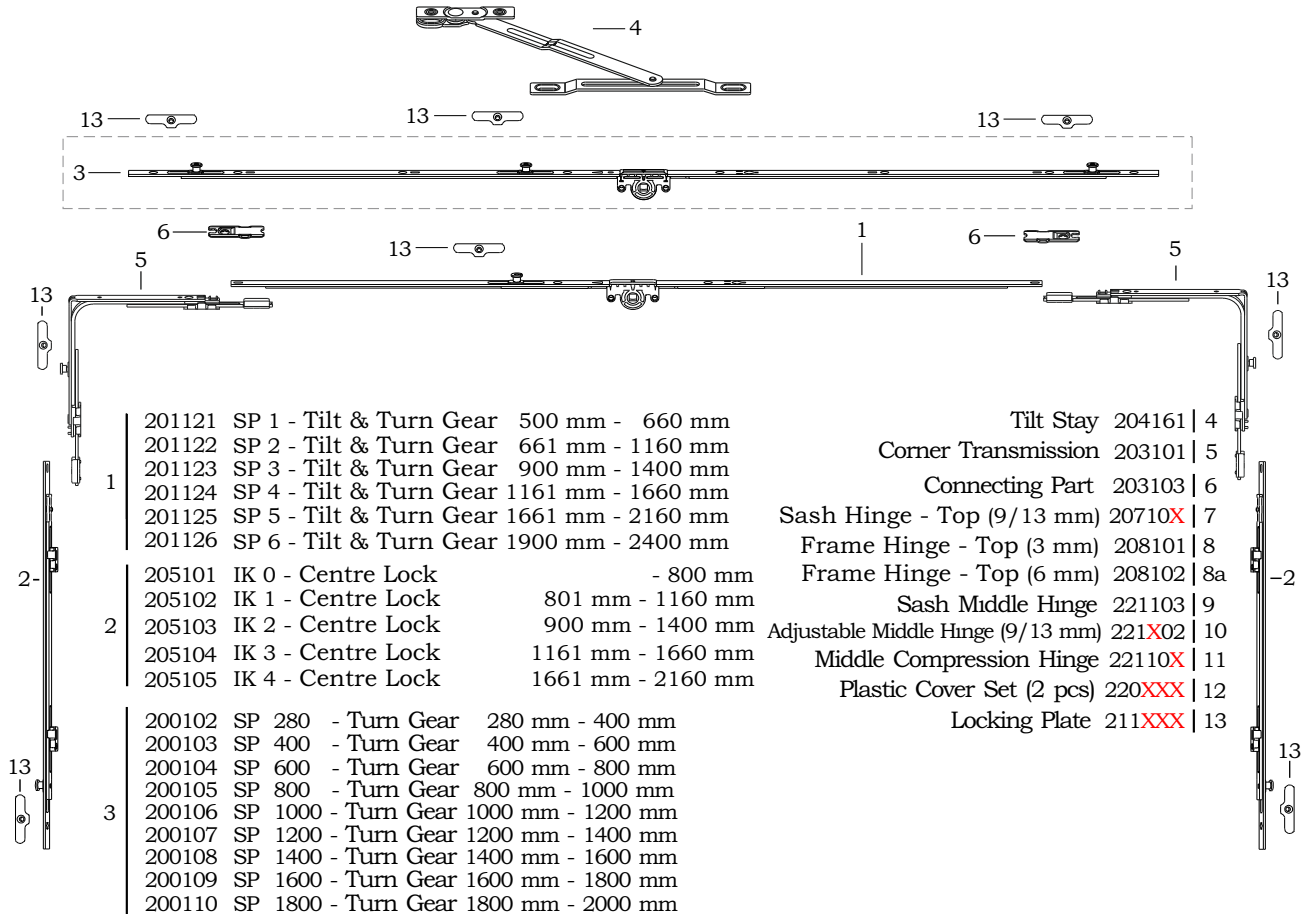
201121	SP 1 - Tilt & Turn Gear	500 mm - 660 mm
201122	SP 2 - Tilt & Turn Gear	661 mm - 1160 mm
201123	SP 3 - Tilt & Turn Gear	900 mm - 1400 mm
201124	SP 4 - Tilt & Turn Gear	1161 mm - 1660 mm
201125	SP 5 - Tilt & Turn Gear	1661 mm - 2160 mm
201126	SP 6 - Tilt & Turn Gear	1900 mm - 2400 mm
204100	MK 0 - Stay Arm Set	340 mm - 410 mm
204101	MK 1 - Stay Arm Set	411 mm - 650 mm
204102	MK 2 - Stay Arm Set	651 mm - 900 mm
204103	MK 3 - Stay Arm Set	901 mm - 1150 mm
204104	MK 4 - Stay Arm Set	1151 mm - 1400 mm
205101	IK 0 - Centre Lock	- 800 mm
205102	IK 1 - Centre Lock	801 mm - 1160 mm
205103	IK 2 - Centre Lock	900 mm - 1400 mm
205104	IK 3 - Centre Lock	1161 mm - 1660 mm
205105	IK 4 - Centre Lock	1661 mm - 2160 mm
203101	Corner Transmission	
203104	Corner Transmission Short	
203106	Night-vent Multi-stepped Corner Transmission	
203103	Connecting Part	
203105	Stay Arm Corner Transmission	
221201	Standard Mishandling Device	
221101	Mishandling & Lifting Device	
20710X	Sash Hinge - Top (9/13 mm)	
207201	Sash Hinge - Bottom (3 mm)	
207202	Sash Hinge - Bottom (6 mm)	
20720X	Rebated Sash Hinge Bottom (R/L; 9/13 mm)	
208101	Frame Hinge - Top (3 mm)	
208102	Frame Hinge - Top (6 mm)	
208201	Frame Hinge - Bottom (3 mm)	
208202	Frame Hinge - Bottom (6 mm)	
220XXX	Plastic Cover Set (5 psc)	
210XXX	Horizontal Tilt Locking	
211XXX	Locking Plate	
214X01	Mishandling & Lifting Device Locking Plate	
215101	Night-vent Multi-stepped Locking Plate (9/13 mm)	
204191	Additional Scissors (recommended for sashes with width more then 1200 mm)	

1	202101 CSP 1 - Double Sash Gear	560 mm - 660 mm
	202102 CSP 2 - Double Sash Gear	661 mm - 1160 mm
	202103 CSP 3 - Double Sash Gear	900 mm - 1400 mm
	202104 CSP 4 - Double Sash Gear	1161 mm - 1660 mm
	202105 CSP 5 - Double Sash Gear	1661 mm - 2160 mm
	202106 CSP 6 - Double Sash Gear	1900 mm - 2140 mm
2	204171 Adjustable Side Hung Hinge	
3	205101 IK 0 - Centre Lock	- 800 mm
	205102 IK 1 - Centre Lock	801 mm - 1160 mm
	205103 IK 2 - Centre Lock	900 mm - 1400 mm
	205104 IK 3 - Centre Lock	1161 mm - 1660 mm
	205105 IK 4 - Centre Lock	661 mm - 2160 mm
4	203101 Corner Transmission	
5	203103 Connecting Part	
6	202141 Side Hung Bolt - Bottom	
7	202143 Side Hung Bolt - Top (short)	
8	20710X Sash Hinge - Top (9/13 mm)	
9	207201 Sash Hinge - Bottom (3 mm)	
9a	207202 Sash Hinge - Bottom (6 mm)	
9b	20720X Rebated Sash Hinge Bottom (R/L; 9/13 mm)	
10	208101 Frame Hinge - Top (3 mm)	
10a	208102 Frame Hinge - Top (6 mm)	
11	208201 Frame Hinge - Bottom (3 mm)	
11a	208202 Frame Hinge - Bottom (6 mm)	
12	221103 Sash Middle Hinge	
12a	221X02 Adjustable Middle Hinge (9/13 mm)	
13	22110X Middle Compression Hinge	
14	220XXX Plastic Cover Set (5 pcs)	
15	220XXX Plastic Cover Set (2 pcs)	
16	211XXX Locking Plate	
17	213X0X Locking Plate - Bolt (9/13 mm)	
17a	213102 Locking Plate - Bolt (adjustable) ( 9/13 mm)	
18	211901 Double Sash Locking Plate	
20	214901 Mishandling & Lifting Device Locking Plate	

1	201121	SP 1 - Tilt & Turn Gear	500 mm - 660 mm	
	201122	SP 2 - Tilt & Turn Gear	661 mm - 1160 mm	
	201123	SP 3 - Tilt & Turn Gear	900 mm - 1400 mm	
	201124	SP 4 - Tilt & Turn Gear	1161 mm - 1660 mm	
	201125	SP 5 - Tilt & Turn Gear	1661 mm - 2160 mm	
	201126	SP 6 - Tilt & Turn Gear	1900 mm - 2400 mm	
2	204171	Adjustable Side Hung Hinge		
	3	205101	IK 0 - Centre Lock	- 800 mm
		205102	IK 1 - Centre Lock	801 mm - 1160 mm
		205103	IK 2 - Centre Lock	900 mm - 1400 mm
		205104	IK 3 - Centre Lock	1161 mm - 1660 mm
205105		IK 4 - Centre Lock	1661 mm - 2160 mm	
4	203101	Corner Transmission		
5	203103	Connecting Part		
6	20710X	Sash Hinge - Top (9/13 mm)		
7	207201	Sash Hinge - Bottom (3 mm)		
7a	207202	Sash Hinge - Bottom (6 mm)		
7b	20720X	Rebated Sash Hinge Bottom (R/L; 9/13 mm)		
8	208101	Frame Hinge - Top (3 mm)		
8a	208102	Frame Hinge - Top (6 mm)		
9	208201	Frame Hinge - Bottom (3 mm)		
9a	208202	Frame Hinge - Bottom (6 mm)		
10	221103	Sash Middle Hinge		
10a	221X02	Adjustable Middle Hinge (9/13 mm)		
11	22110X	Middle Compression Hinge		
12	220XXX	Plastic Cover Set (5 pcs)		
13	220XXX	Plastic Cover Set (2 pcs)		
14	211XXX	Locking Plate		
15	200102	SP 280 - Turn Gear	280 mm - 400 mm	
	200103	SP 400 - Turn Gear	400 mm - 600 mm	
	200104	SP 600 - Turn Gear	600 mm - 800 mm	
	200105	SP 800 - Turn Gear	800 mm - 1000 mm	
	200106	SP 1000 - Turn Gear	1000 mm - 1200 mm	
	200107	SP 1200 - Turn Gear	1200 mm - 1400 mm	
	200108	SP 1400 - Turn Gear	1400 mm - 1600 mm	
	200109	SP 1600 - Turn Gear	1600 mm - 1800 mm	
	200110	SP 1800 - Turn Gear	1800 mm - 2000 mm	
	200111	SP 2000 - Turn Gear	2000 mm - 2200 mm	

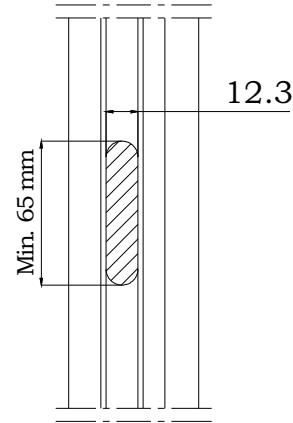
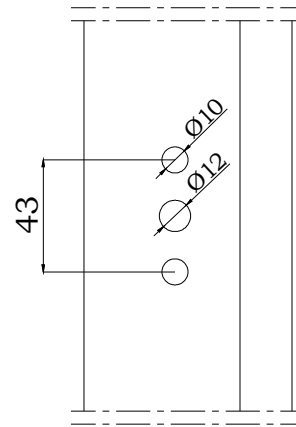
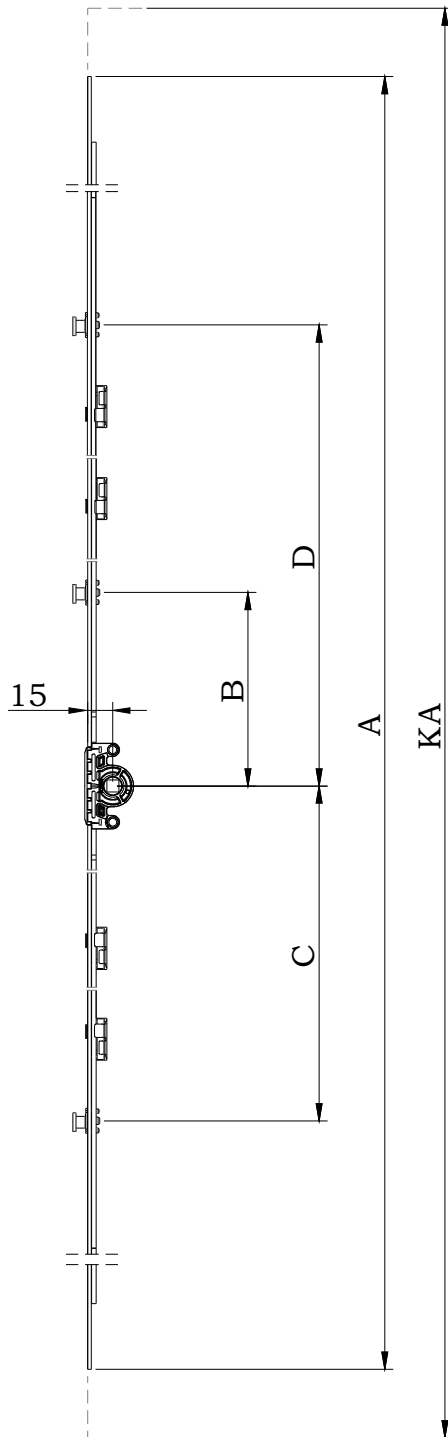




1	201121 SP 1 - Tilt & Turn Gear	500 mm - 660 mm
	201122 SP 2 - Tilt & Turn Gear	661 mm - 1160 mm
	201123 SP 3 - Tilt & Turn Gear	900 mm - 1400 mm
	201124 SP 4 - Tilt & Turn Gear	1161 mm - 1660 mm
	201125 SP 5 - Tilt & Turn Gear	1661 mm - 2160 mm
	201126 SP 6 - Tilt & Turn Gear	1900 mm - 2400 mm
2	204171 Adjustable Side Hung Hinge	
3	205106 OK 0 - Middle Lock	- 800 mm
	205107 OK 1 - Middle Lock	801 mm - 1160 mm
	205108 OK 2 - Middle Lock	900 mm - 1400 mm
	205109 OK 3 - Middle Lock	1161 mm - 1660 mm
	205110 OK 4 - Middle Lock	1661 mm - 2160 mm
4	206102 Turn Locking Part - Top	
4a	206103 Turn Locking Part - Bottom	
5	203103 Connecting Part	
6	20710X Sash Hinge - Top (9/13 mm)	
7	207201 Sash Hinge - Bottom (3 mm)	
7a	207202 Sash Hinge - Bottom (6 mm)	
7b	20720X Rebated Sash Hinge Bottom (R/L; 9/13 mm)	
8	208101 Frame Hinge - Top (3 mm)	
8a	208102 Frame Hinge - Top (6 mm)	
9	208201 Frame Hinge - Bottom (3 mm)	
9a	208202 Frame Hinge - Bottom (6 mm)	
10	221103 Sash Middle Hinge	
10a	221X02 Adjustable Middle Hinge (9/13 mm)	
11	22110X Middle Compression Hinge	
12	220XXX Plastic Cover Set (5 pcs)	
13	220XXX Plastic Cover Set (2 pcs)	
14	211XXX Kavrama Karşılığı	
15	200102 SP 280 - Turn Gear	280 mm - 400 mm
	200103 SP 400 - Turn Gear	400 mm - 600 mm
	200104 SP 600 - Turn Gear	600 mm - 800 mm
	200105 SP 800 - Turn Gear	800 mm - 1000 mm
	200106 SP 1000 - Turn Gear	1000 mm - 1200 mm
	200107 SP 1200 - Turn Gear	1200 mm - 1400 mm
	200108 SP 1400 - Turn Gear	1400 mm - 1600 mm
	200109 SP 1600 - Turn Gear	1600 mm - 1800 mm
	200110 SP 1800 - Turn Gear	1800 mm - 2000 mm
	200111 SP 2000 - Turn Gear	2000 mm - 2200 mm



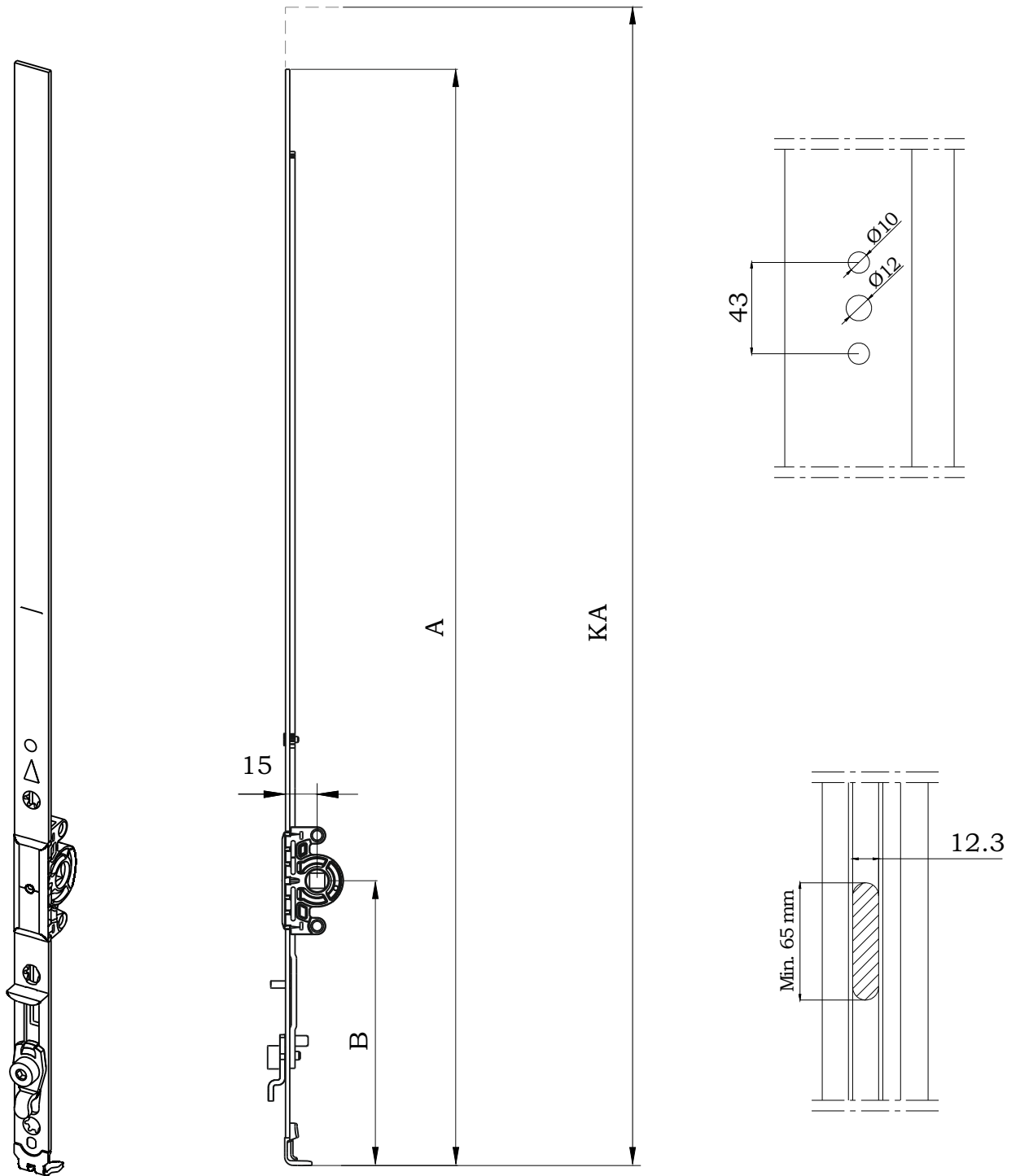
■ Gears



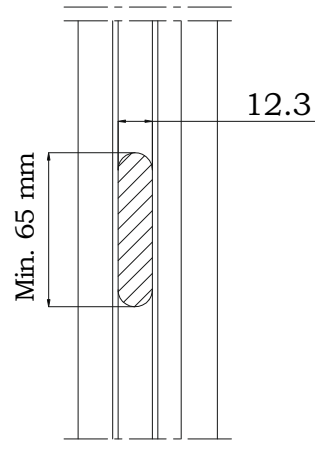
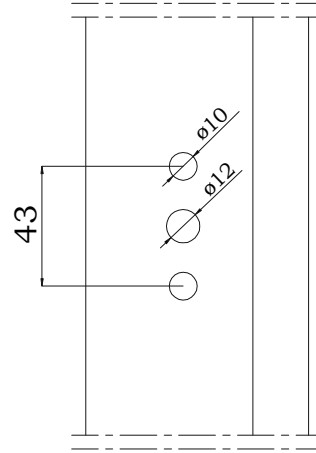
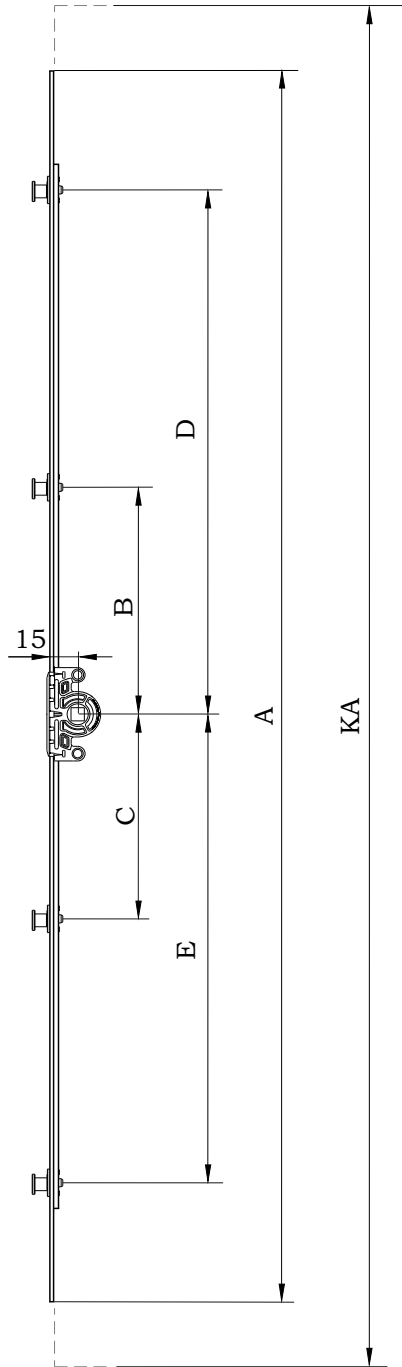




Code	Description	KA (MM)	A (MM)	B (MM)	C (MM)	D (MM)		
201121	SP 1 - Tilt & Turn Gear	500 - 660	400	—	—	—	—	10
201122	SP 2 - Tilt & Turn Gear	661 - 1160	900	115	—	—	1	10
201123	SP 3 - Tilt & Turn Gear	900 - 1400	1140	115	—	—	1	10
201124	SP 4 - Tilt & Turn Gear	1161 - 1660	1400	115	304	—	2	10
201125	SP 5 - Tilt & Turn Gear	1661 - 2160	1900	115	438	438	3	10
201126	SP 6 - Tilt & Turn Gear	1900 - 2400	2140	115	438	438	3	10

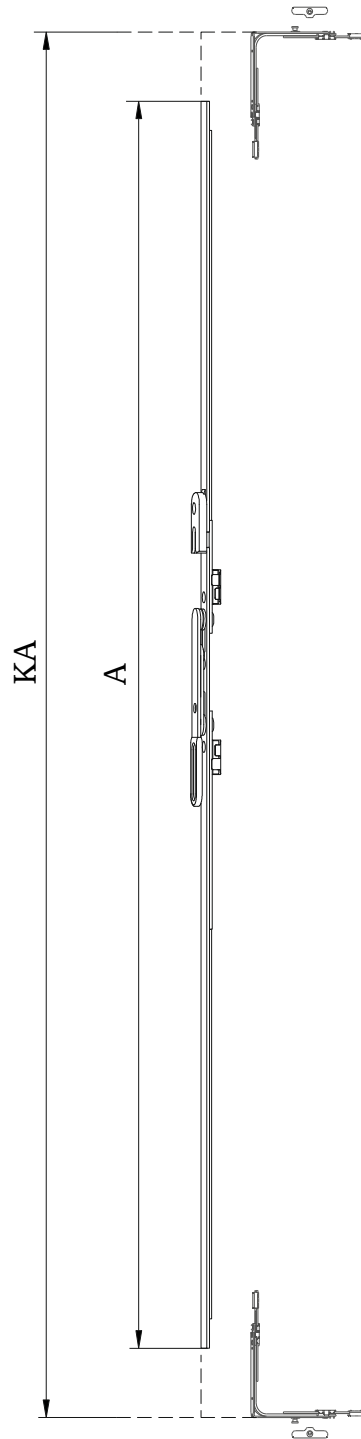


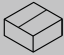


Code	Description	KA (MM)	A (MM)	B (MM)		
201161	SP 1 - Tilt & Turn Gear constant handle	400 - 650	520	135	1	10



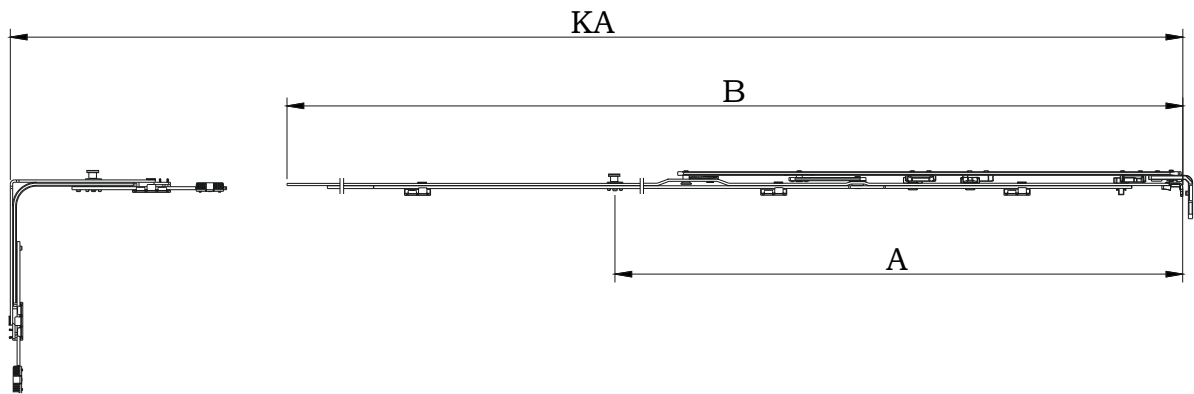
Code	Description	KA (MM)	A (MM)	B (MM)	C (MM)	D (MM)	E (MM)		
200102	SP 280 - Turn Gear	280 - 400	280	—	—	81	81	2	20
200103	SP 400 - Turn Gear	400 - 600	400	—	—	135	135	2	20
200104	SP 600 - Turn Gear	600 - 800	600	—	—	235	235	2	20
200105	SP 800 - Turn Gear	800 - 1000	800	—	—	335	335	2	20
200106	SP 1000 - Turn Gear	1000 - 1200	1000	115	—	435	435	3	20
200107	SP 1200 - Turn Gear	1200 - 1400	1200	115	—	535	535	3	20
200108	SP 1400 - Turn Gear	1400 - 1600	1400	115	—	635	635	3	20
200109	SP 1600 - Turn Gear	1600 - 1800	1600	115	—	735	735	3	20
200110	SP 1800 - Turn Gear	1800 - 2000	1800	279	279	835	835	4	20
200111	SP 2000 - Turn Gear	2000 - 2200	2000	311	311	935	935	4	20


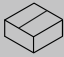


Code	Description	KA (MM)	A (MM)	
202101	CSP 1 - Double Sash Gear	500 - 660	400	10
202102	CSP 2 - Double Sash Gear	661 - 1160	900	10
202103	CSP 3 - Double Sash Gear	900 - 1400	1140	10
202104	CSP 4 - Double Sash Gear	1161 - 1660	1400	10
202105	CSP 5 - Double Sash Gear	1661 - 2160	1900	10
202106	CSP 6 - Double Sash Gear	1900 - 2400	2140	10

■ Stay Arms

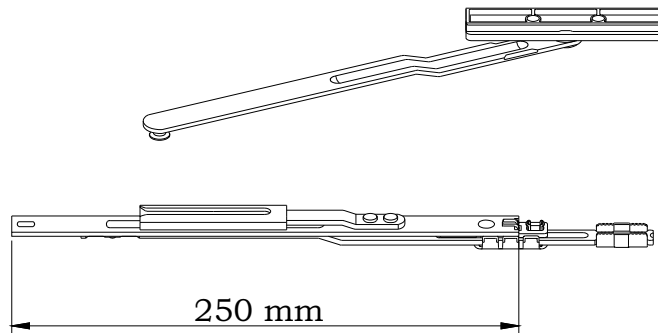
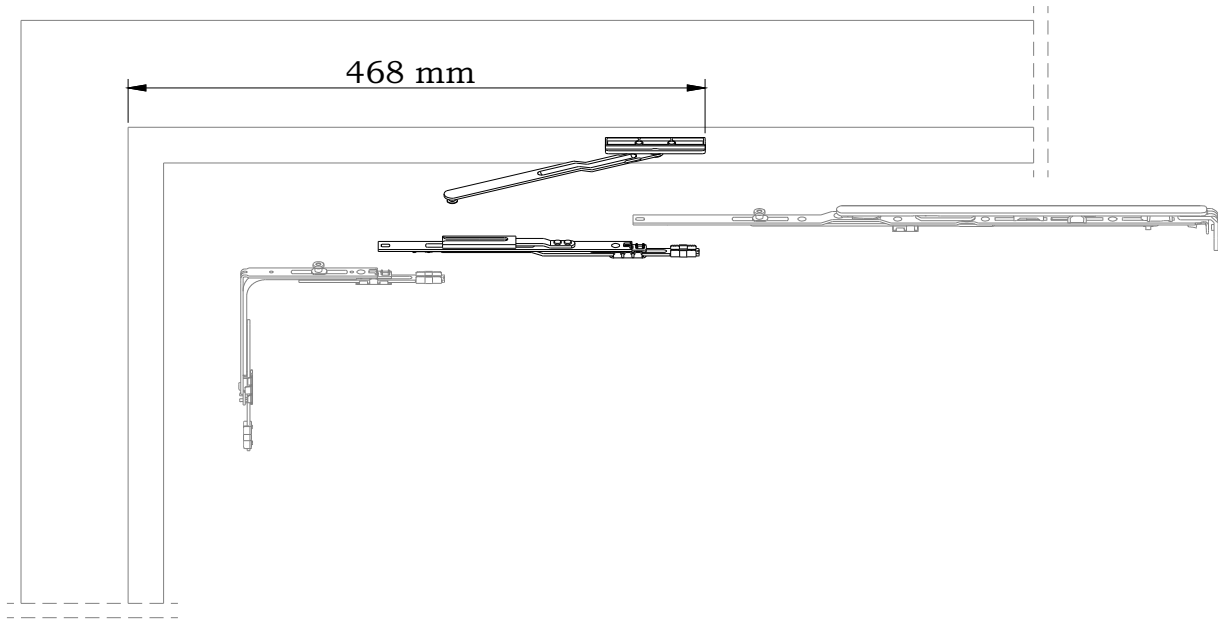


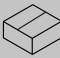


Code	Description	KA (MM)	A (MM)	B (MM)		
204100	MK 0 - Stay Arm	340 - 410 <i>*375 - 410</i>	—	280	—	10
204101	MK 1 - Stay Arm	411 - 650 <i>*446 - 650</i>	—	520	—	10
204111	MK 15 - Stay Arm	500 - 750	—	610	—	10
204102**	MK 2 - Stay Arm	651 - 900	440	770	1	10
204103	MK 3 - Stay Arm	901 - 1150	564	1020	1	10
204104	MK 4 - Stay Arm	1151 - 1400	718	1270	1	10

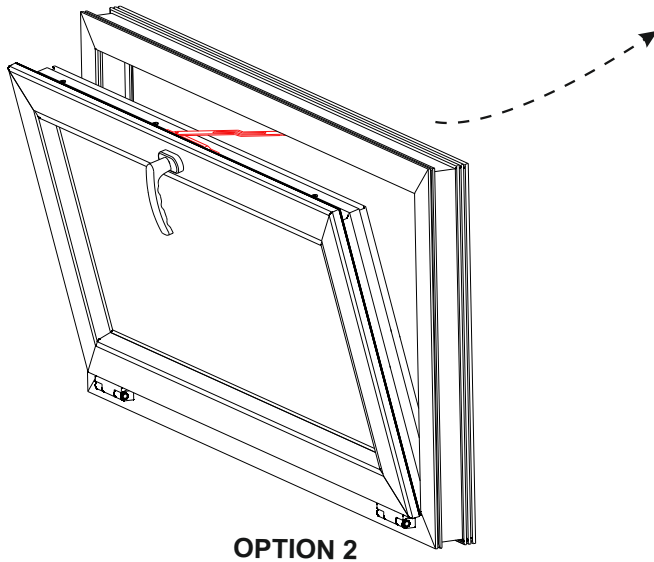
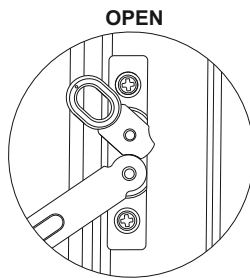
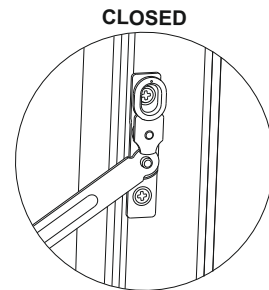
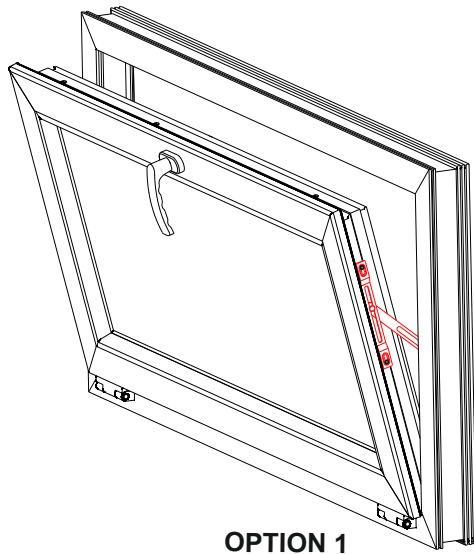
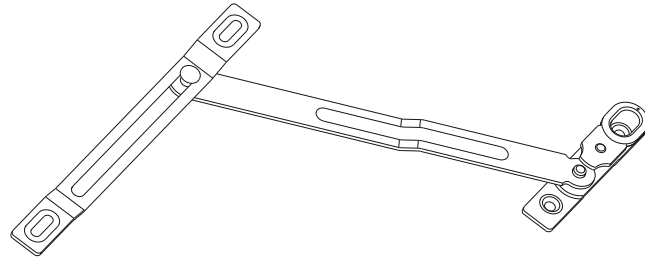
\*In use with Corner Transmission with Covers, range of application of the Stay Arms 204100 and 204101 is change

\*As a special order a Stay Arm 204102 can be produced without pin under code 204112



Code	Description	
204191	Additional Scissors	10

\*In the case when casement width is more than 1200 mm is recommended to use a Additional Scissors (204191)

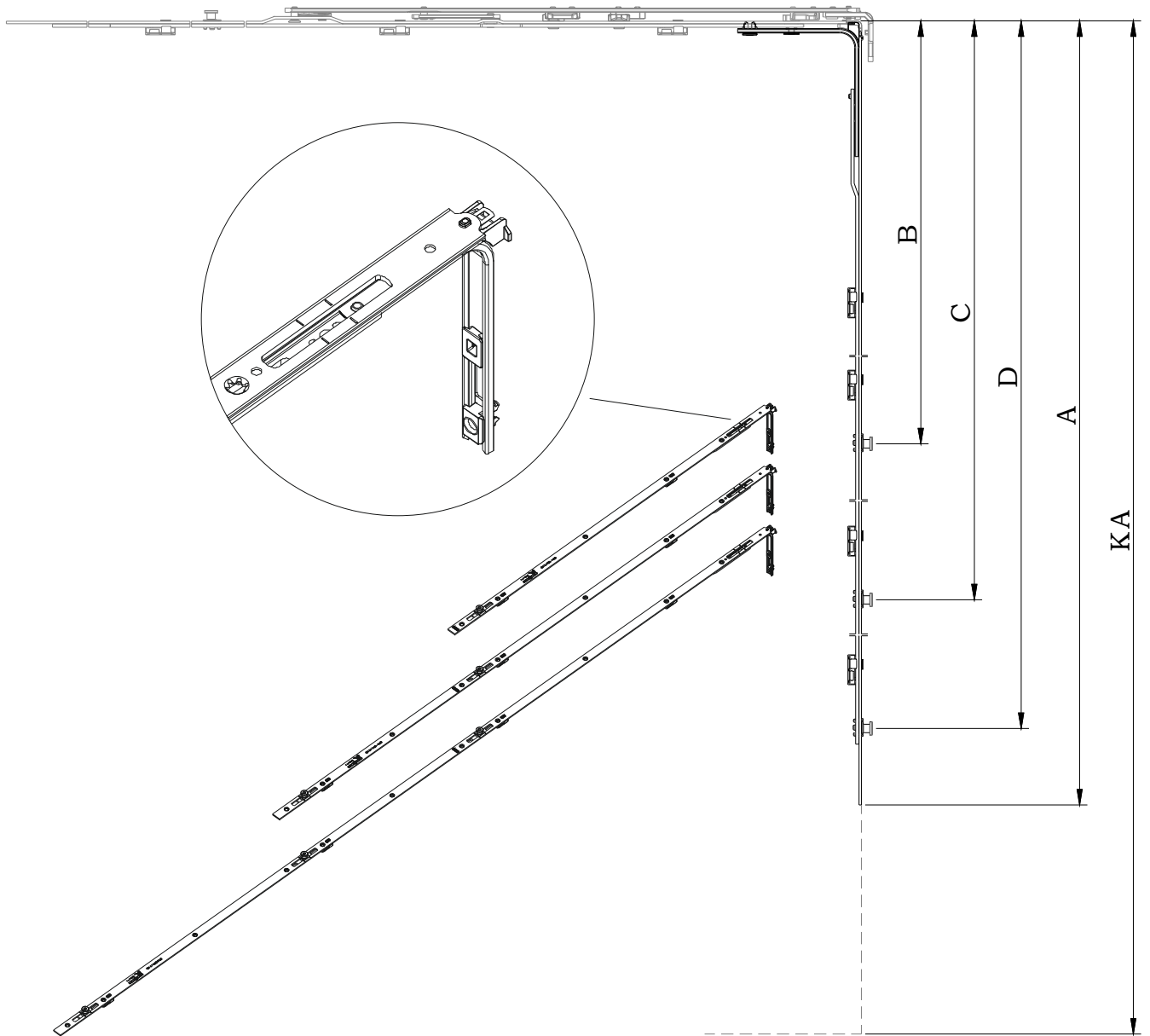


Code	Description	
204161	Tilt Stay	100

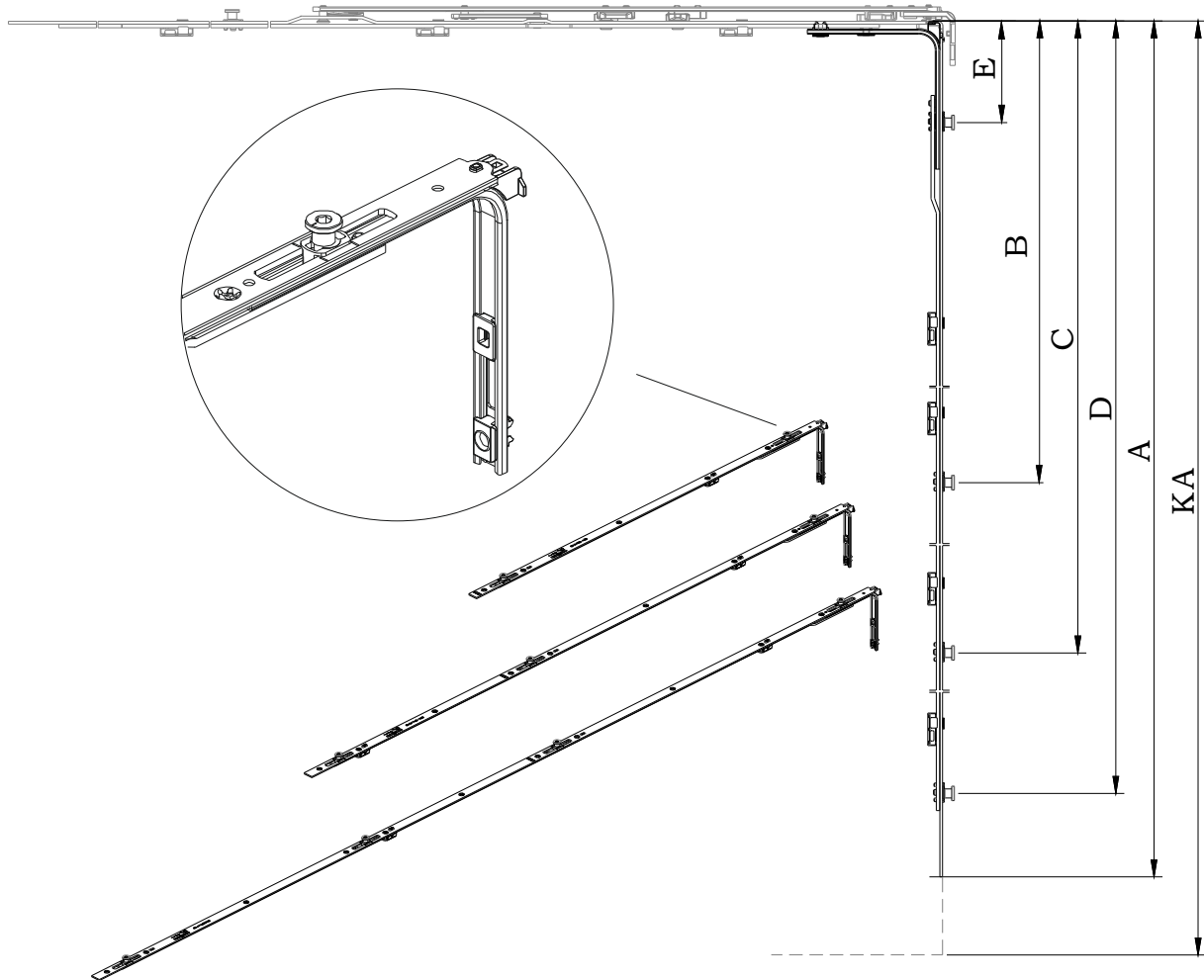
■ Locks



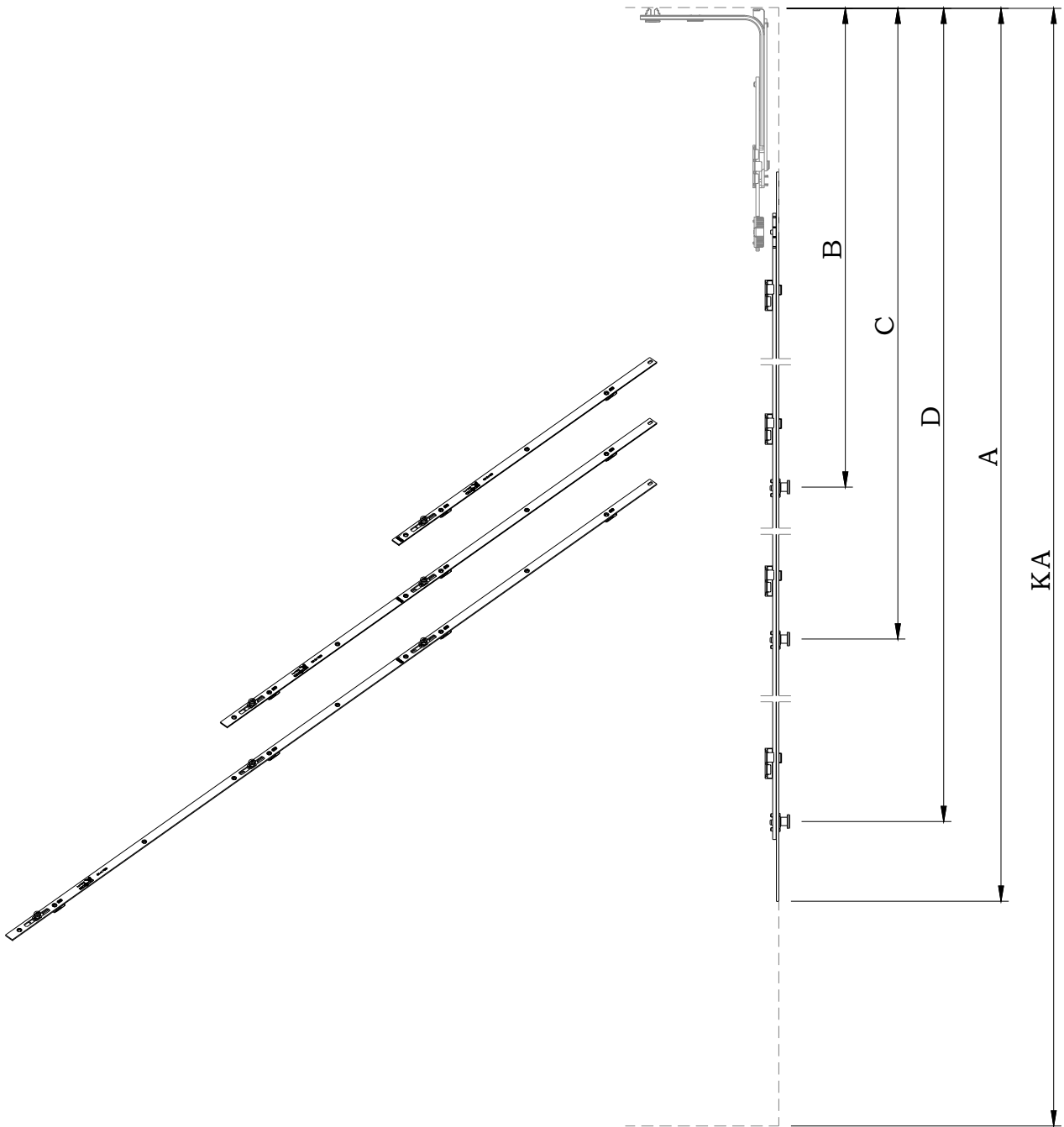




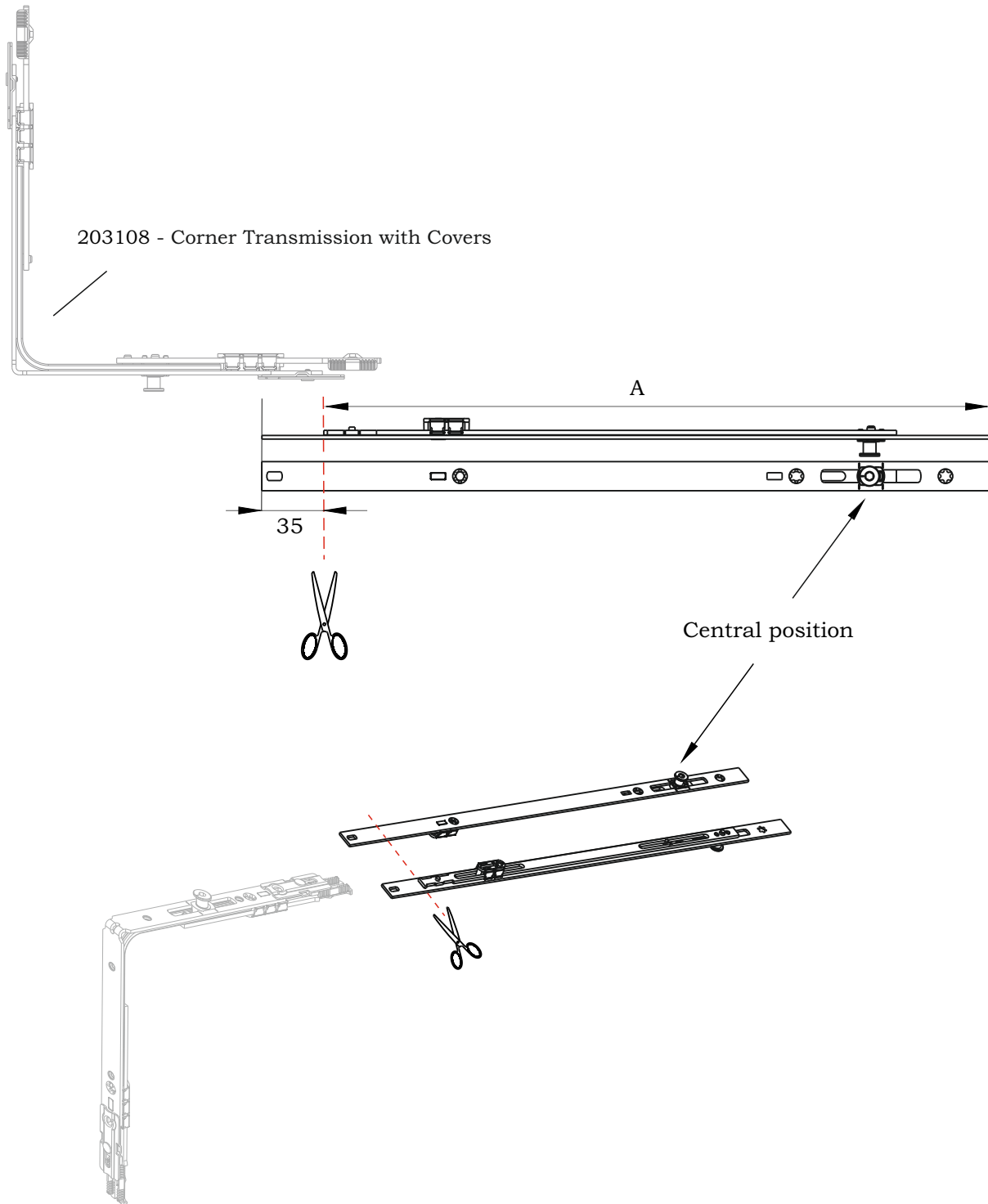
Code	Description	KA (MM)	A (MM)	B (MM)	C (MM)	D (MM)		
205106	OK 0 - Middle Lock	... - 800	350	—	—	285	1	10
205107	OK 1 - Middle Lock	801 - 1160	535	—	—	470	1	10
205108	OK 2 - Middle Lock	900 - 1400	735	—	—	670	1	10
205109	OK 3 - Middle Lock	1161 - 1660	1135	—	670	1070	2	10
205110	OK 4 - Middle Lock	1661 - 2160	1635	670	1070	1570	3	10



Code	Description	KA (MM)	A (MM)	B (MM)	C (MM)	D (MM)	E (MM)		
205112	OK 1 - Middle Lock (with extra pin)	801 - 1160	535	—	—	470	77	2	10
205113	OK 2 - Middle Lock (with extra pin)	900 - 1400	735	—	—	670	77	2	10
205116	OK 21 - Middle Lock (with extra pin)	901 - 1500	835	—	—	770	77	2	10
205114	OK 3 - Middle Lock (with extra pin)	1161 - 1660	1135	—	670	1070	77	3	10
205115	OK 4 - Middle Lock (with extra pin)	1661 - 2160	1635	670	1070	1570	77	4	10

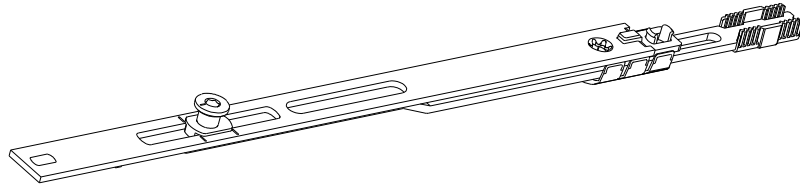
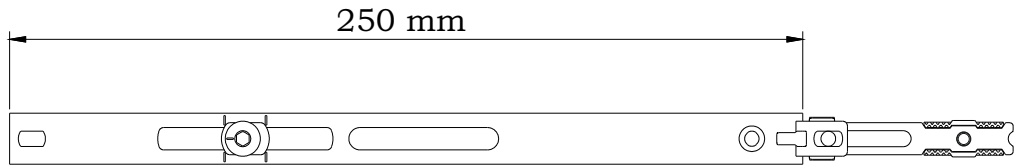


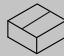
Code	Description	KA (MM)	A (MM)	B (MM)	C (MM)	D (MM)		
205101	IK 0 - Centre Lock	... - 800	350	—	—	285	1	10
205102	IK 1 - Centre Lock	801 - 1160	535	—	—	470	1	10
205103	IK 2 - Centre Lock	900 - 1400	735	—	—	670	1	10
205104	IK 3 - Centre Lock	1161 - 1660	1135	—	670	1070	2	10
205105	IK 4 - Centre Lock	1661 - 2160	1635	670	1070	1570	3	10

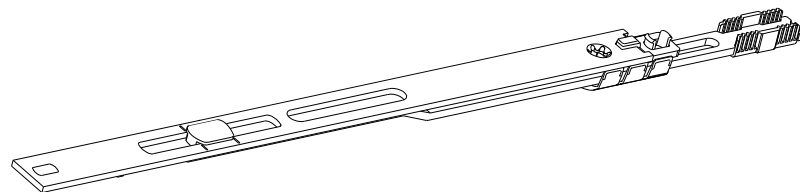
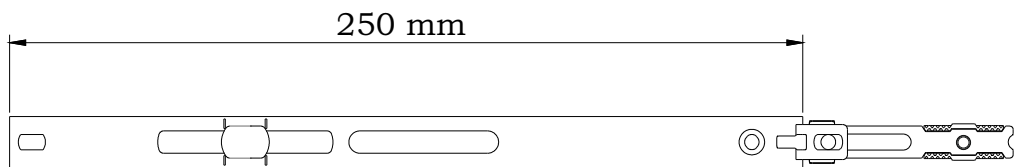




Code	Description	A (MM)
205101	IK 0 - Centre Lock	315*
205102	IK 1 - Centre Lock	500*
205103	IK 2 - Centre Lock	700*
205104	IK 3 - Centre Lock	1100*
205105	IK 4 - Centre Lock	1600*

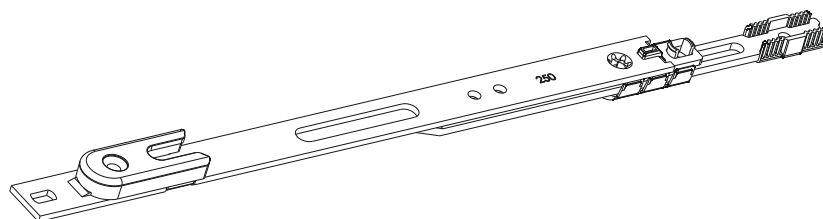
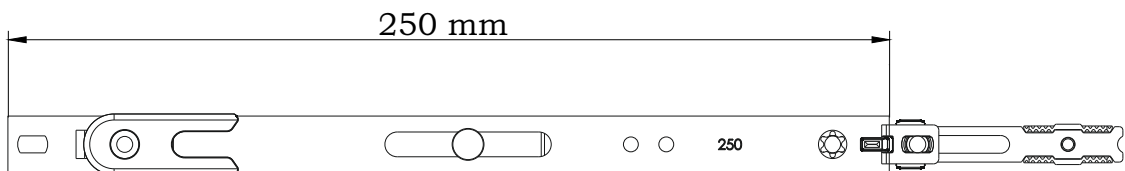
\*After cutting





Code	Description		
205121	Additional Extension 250mm (with pin)	1	10

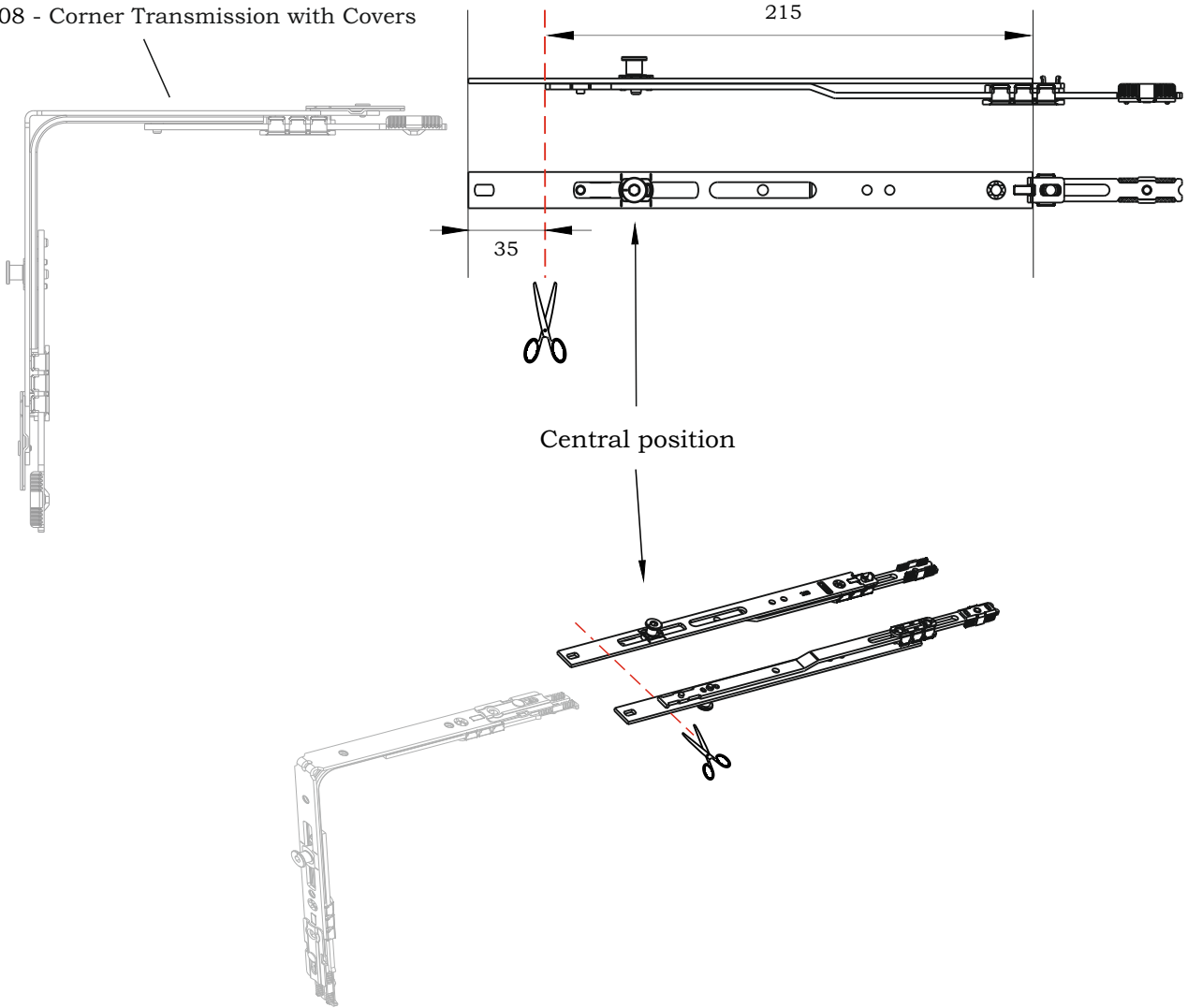


Code	Description		
205123	Additional Extension 250mm (without pin)	-	10



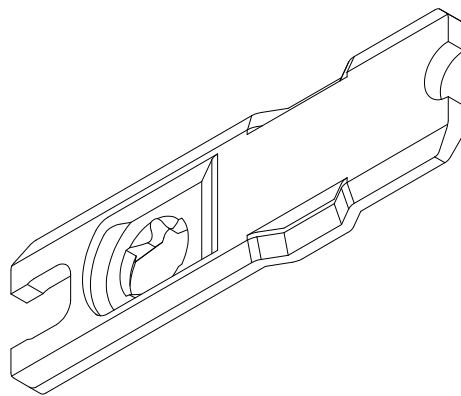
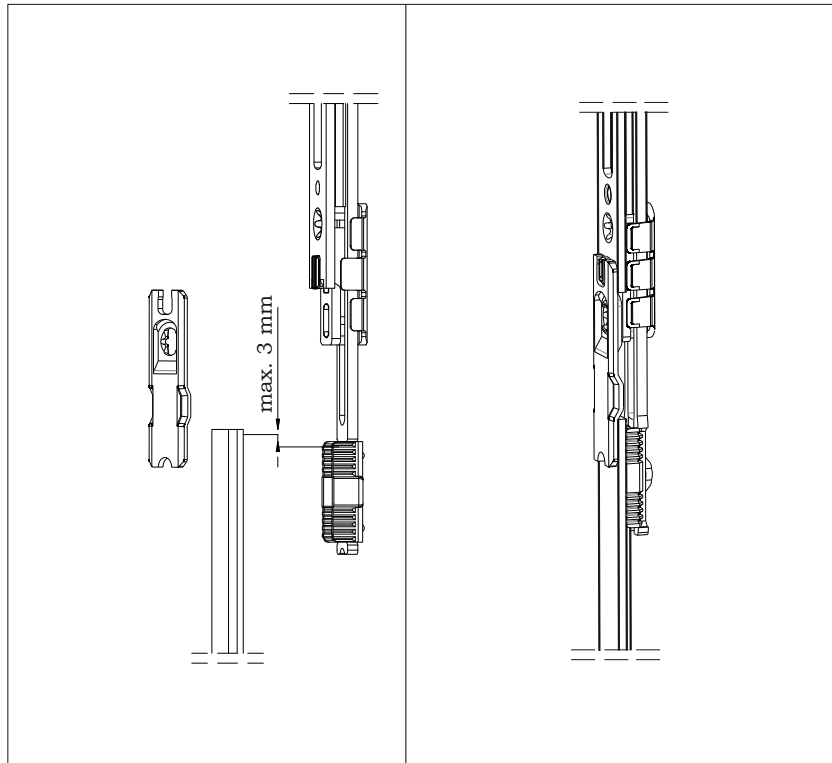
Code	Description		
205122	Additional Extension 250mm (with striker)	-	10


203108 - Corner Transmission with Covers

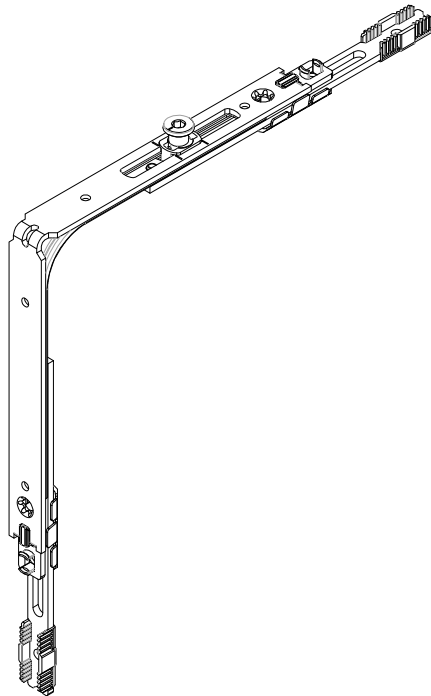
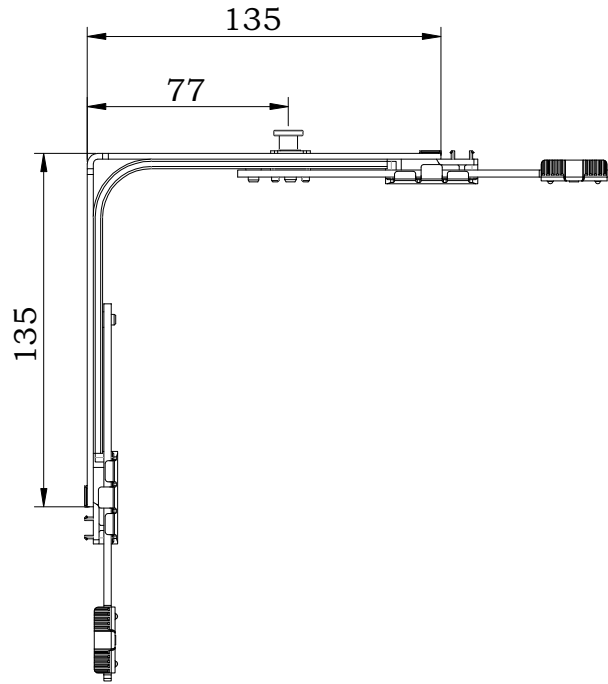




\*Application for Additional Extensions under codes 205121, 205122 and 250123 is similar

## Manual cutting. Application with Connecting Part

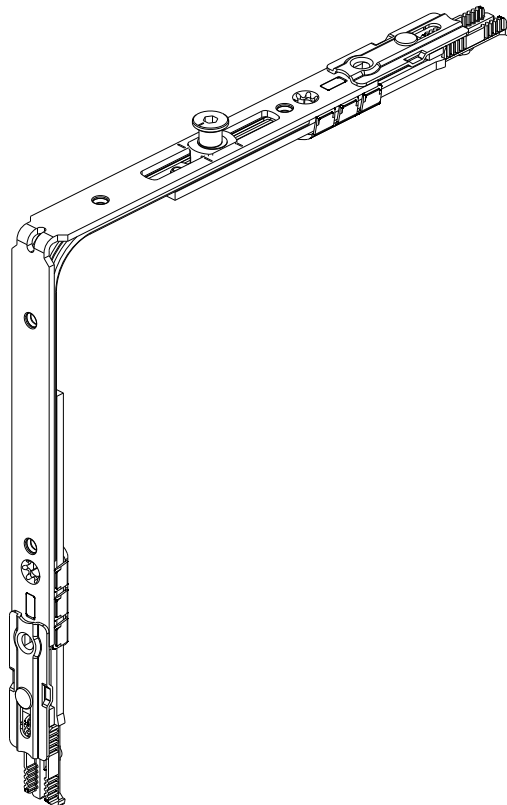
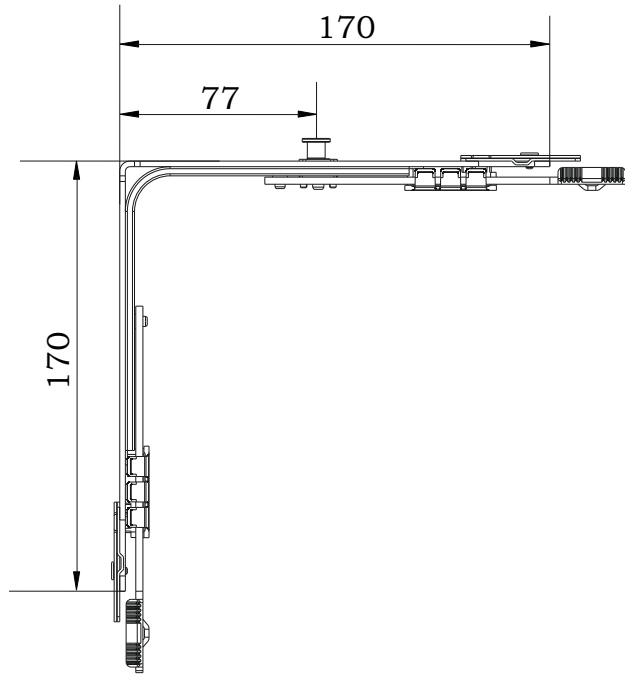




Code	Description	
203103	Connecting Part	300

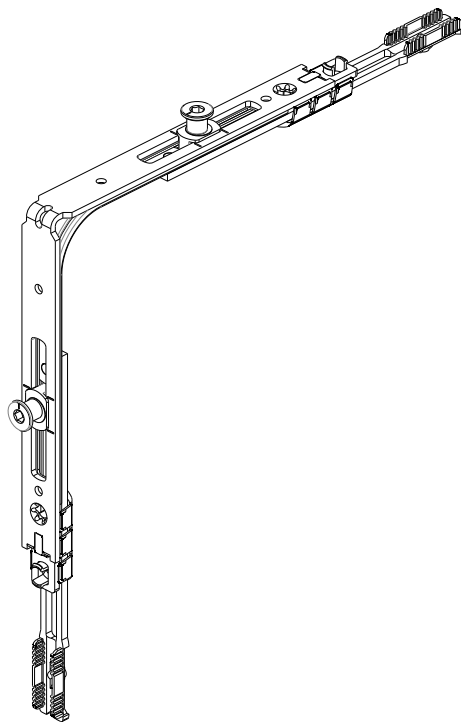
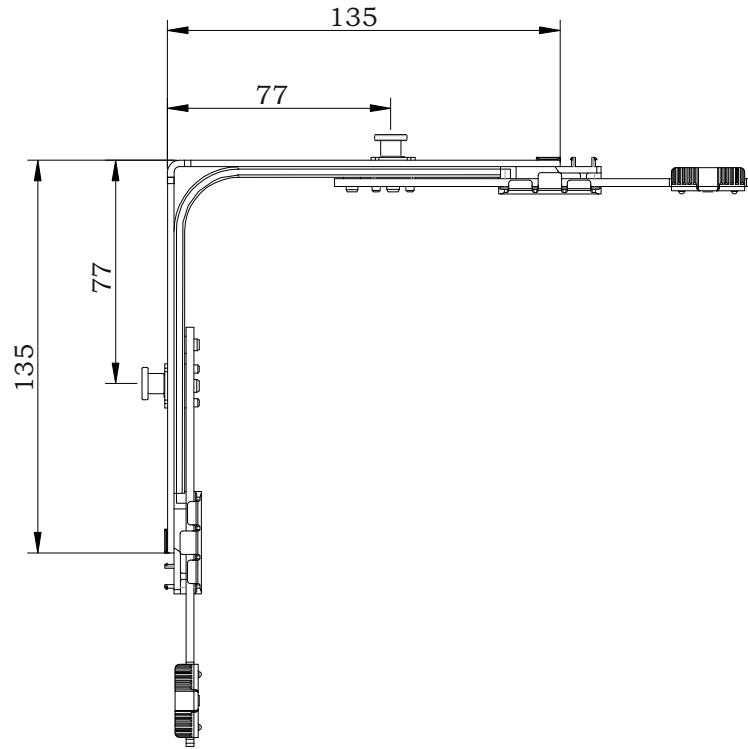




Code	Description		
203101	Corner Transmission	1	100

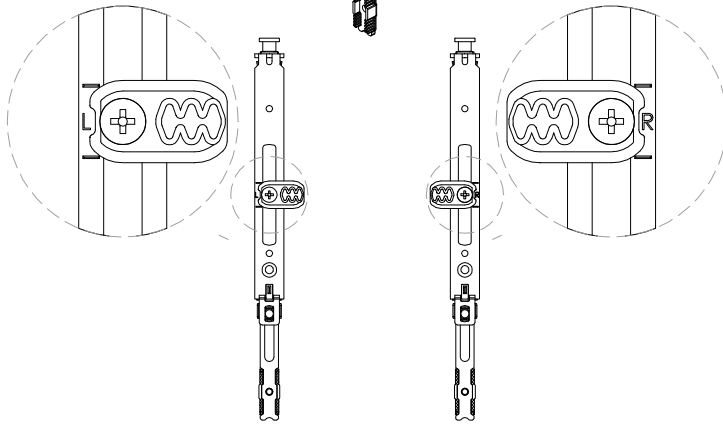
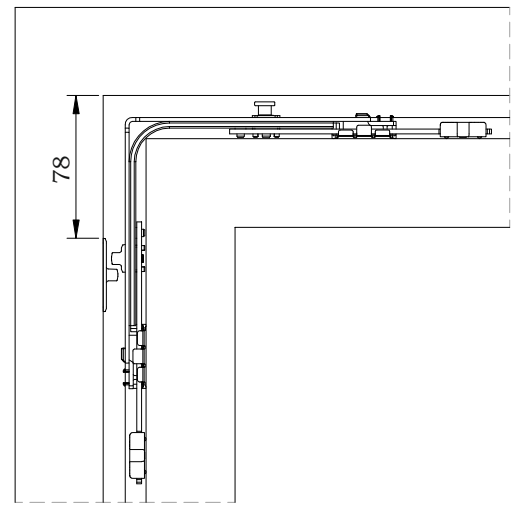
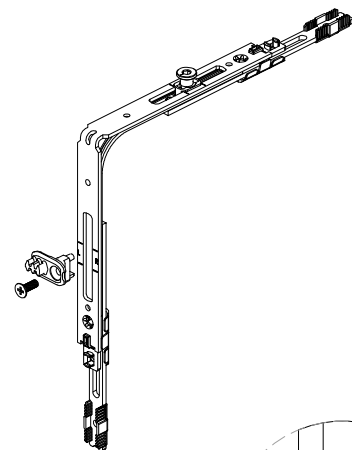
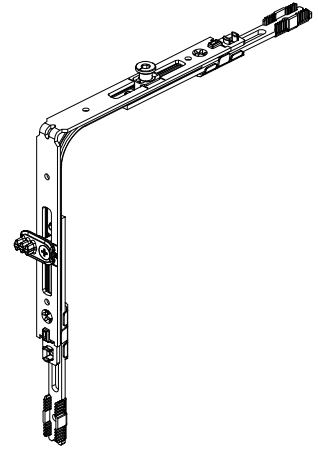
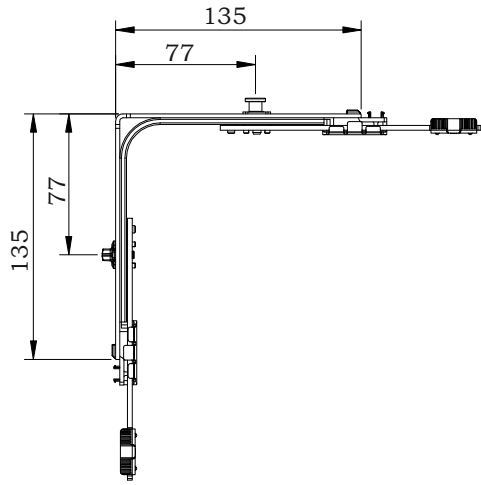







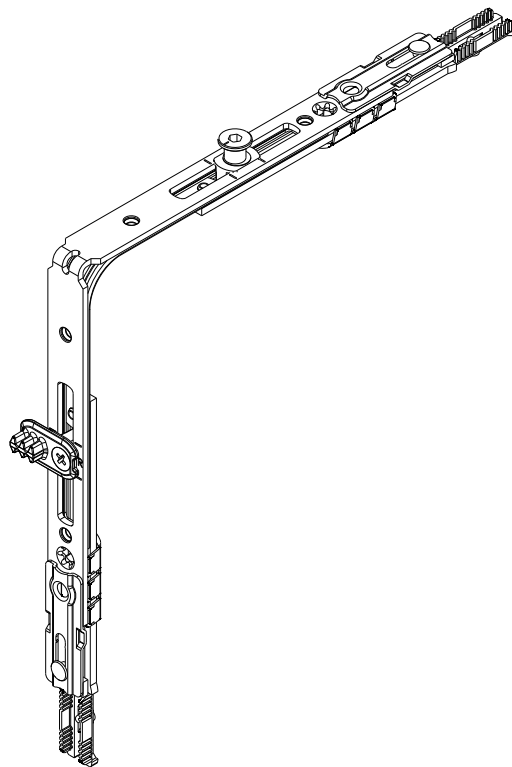
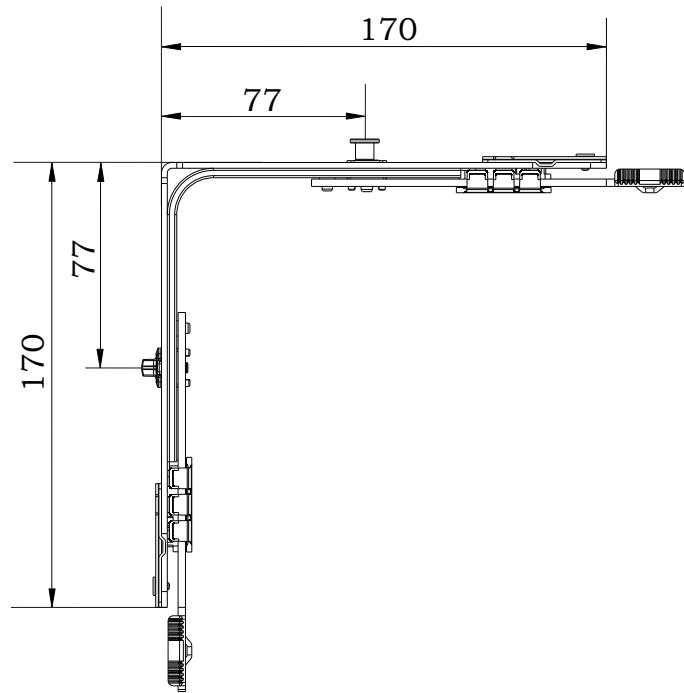
Code	Description		
203108	Corner Transmission with Covers	1	100



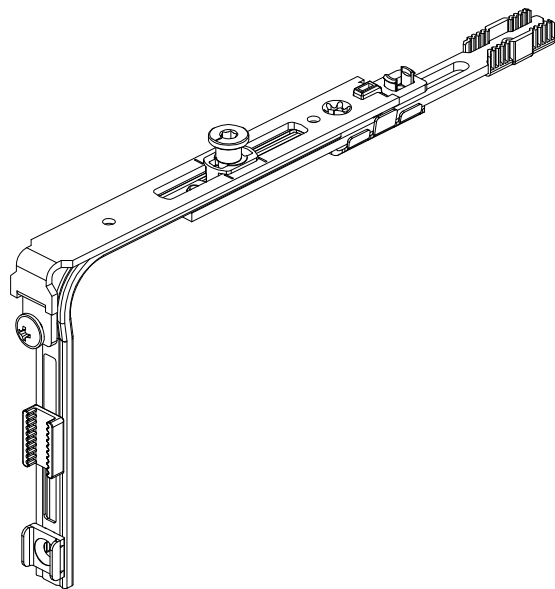
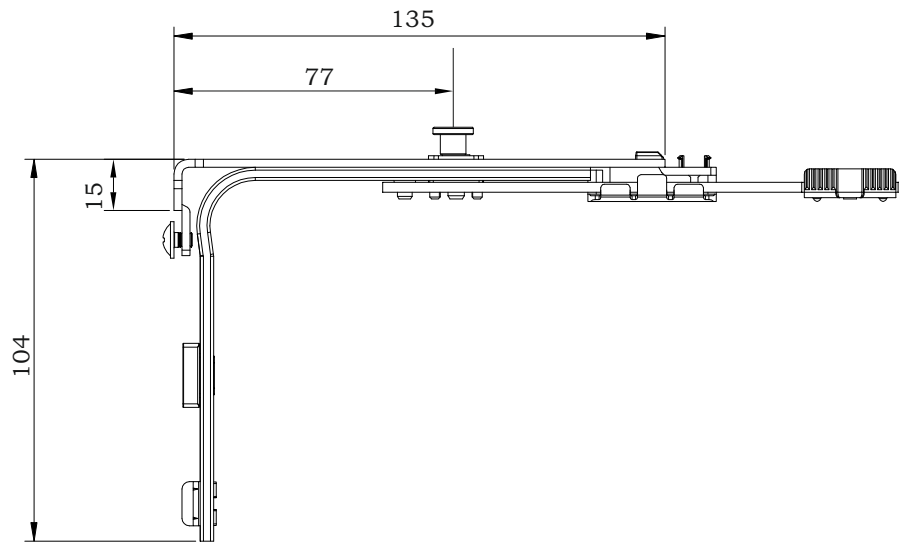
Code	Description		
203107	Corner Transmission (with extra pin)	2	100





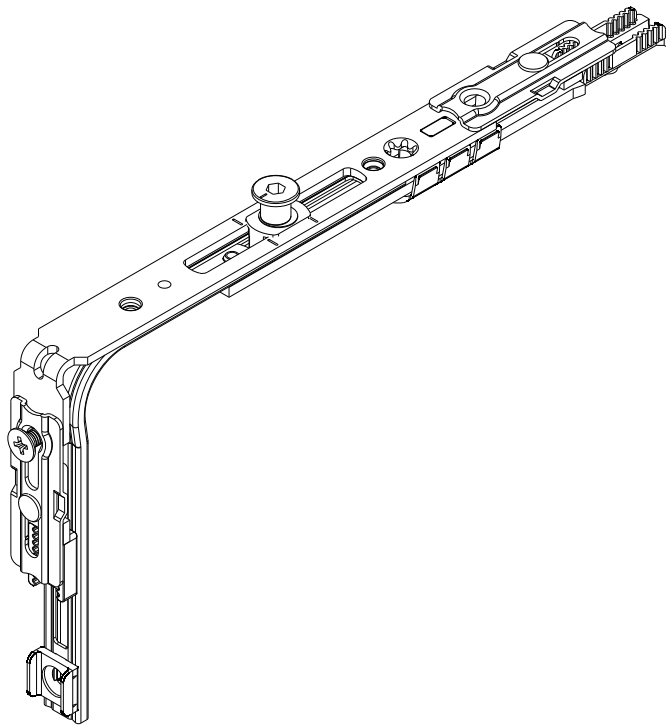
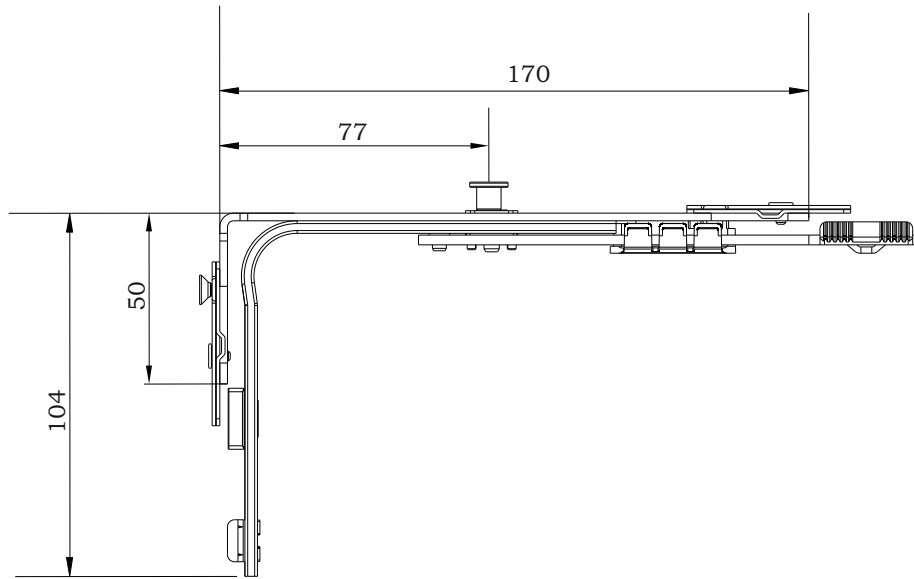
Code	Description			
203106	Night-vent Multi-stepped Corner Transmission	1	1	100





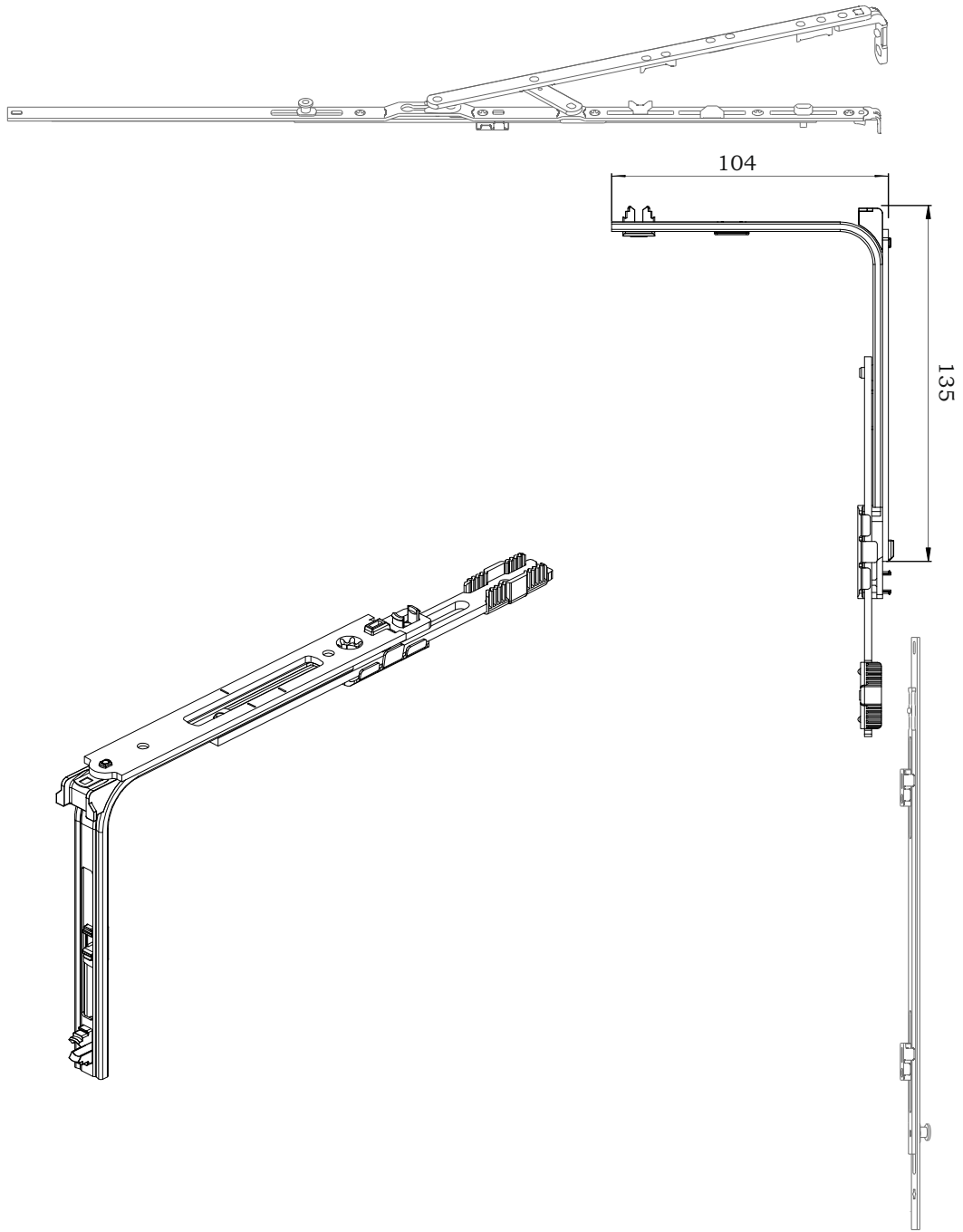
Code	Description			
203111	Night-vent Multi-stepped Corner Transmission with Covers	1	1	100



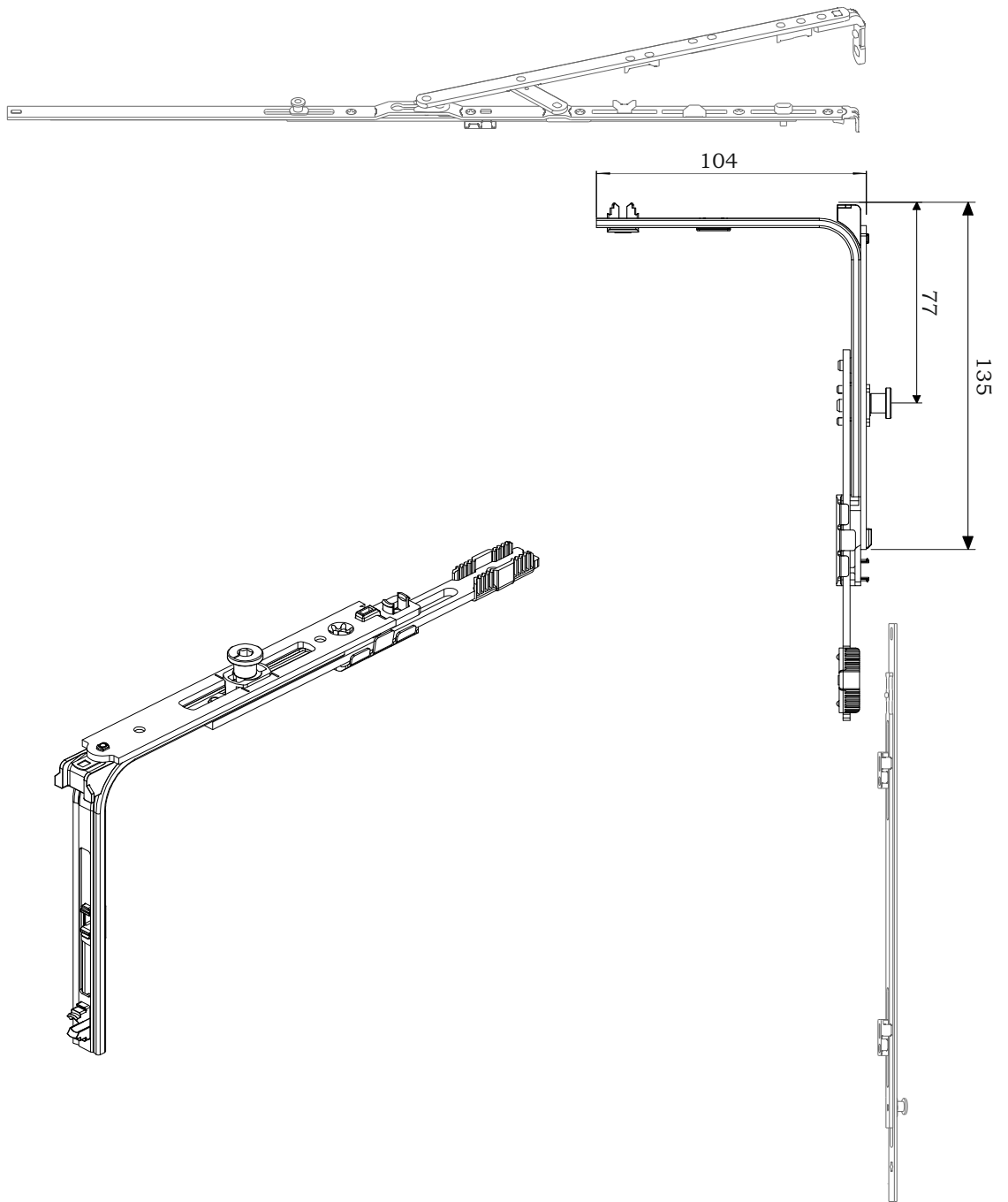
Code	Description		
203104	Corner Transmission Short	1	100





Code	Description		
203110	Corner Transmission Short with Covers	1	100

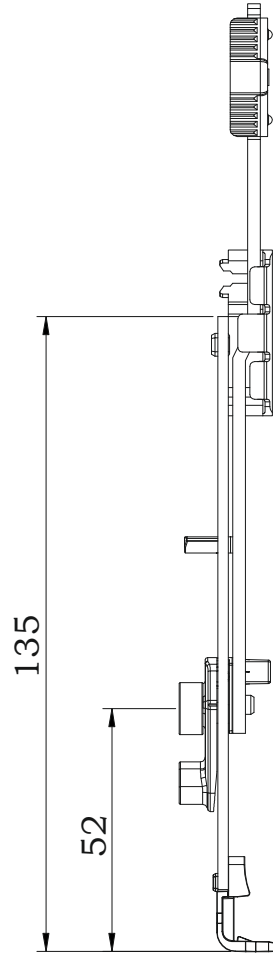
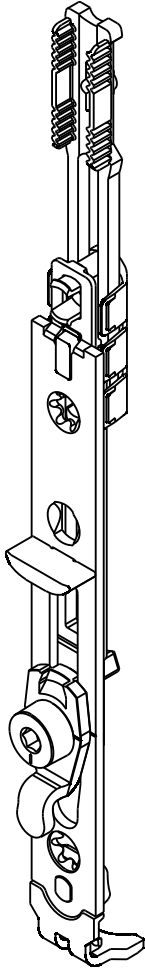


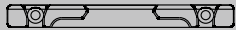

Code	Description	
203105	Stay Arm Corner Transmission	100

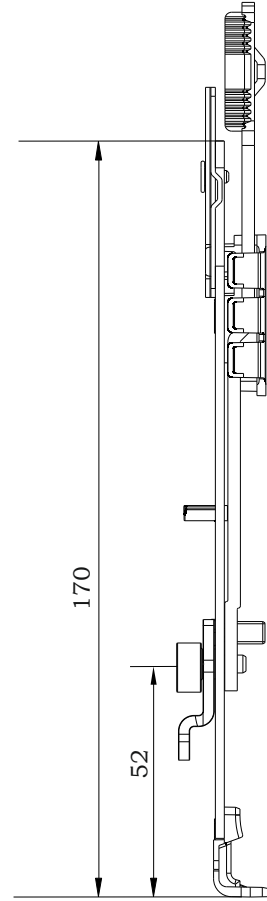
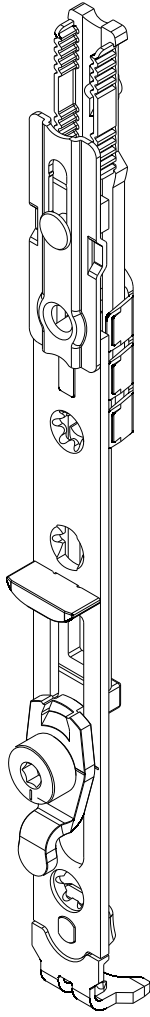


Code	Description		
203102	Stay Arm Corner Transmission with Pin	1	100

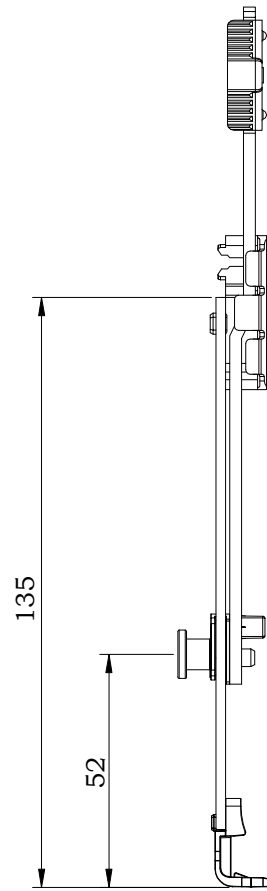
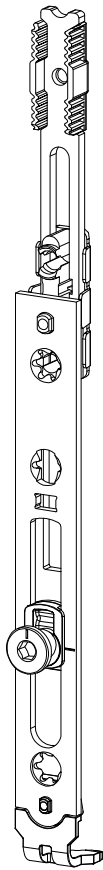






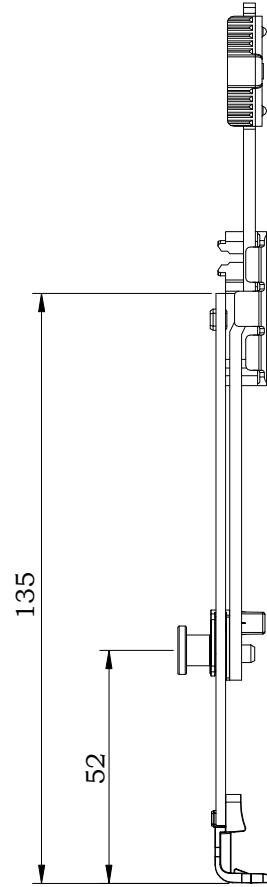
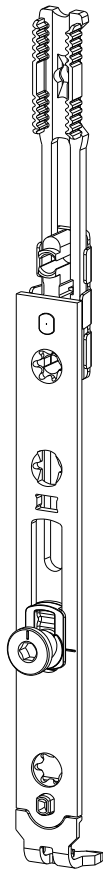
Code	Description		
206101	Tilt Locking Part	1	100





Code	Description		
206104	Tilt Locking Part with Covers	1	100



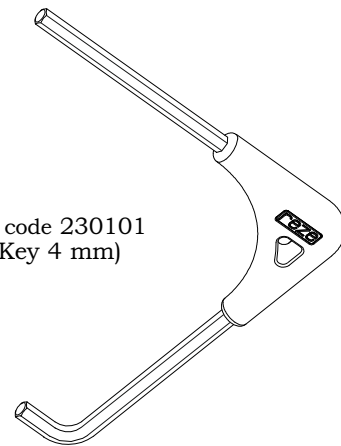
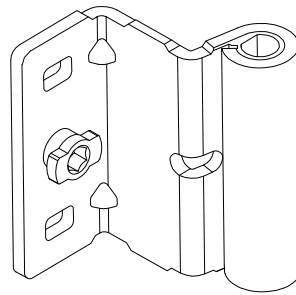
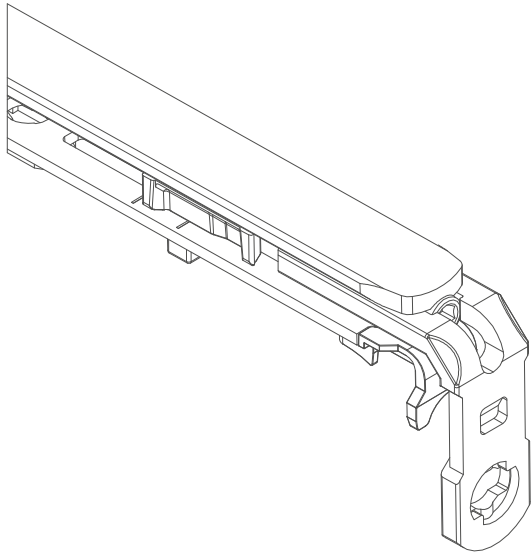
Code	Description		
206102	Turn Locking Part - Top	1	100




Code	Description		
206103	Turn Locking Part - Bottom	1	100

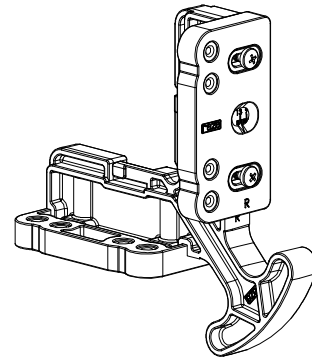
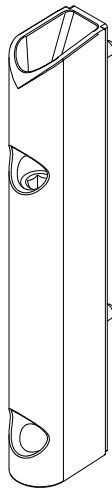
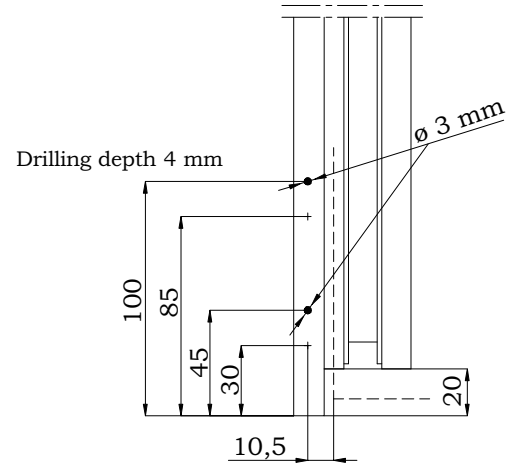
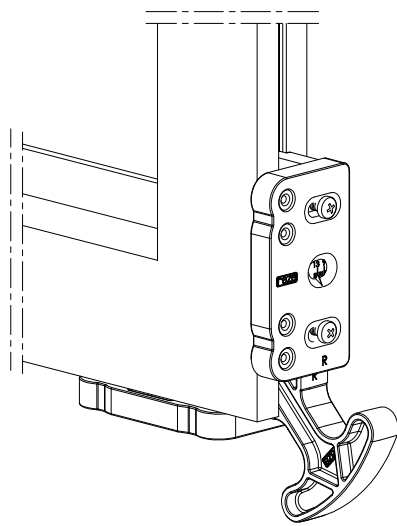
■ Hinges



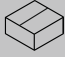


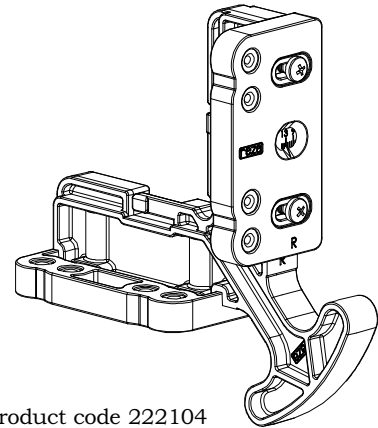
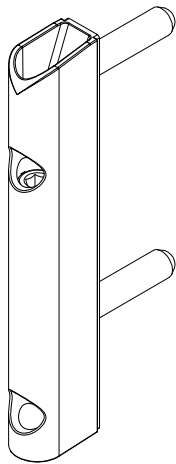
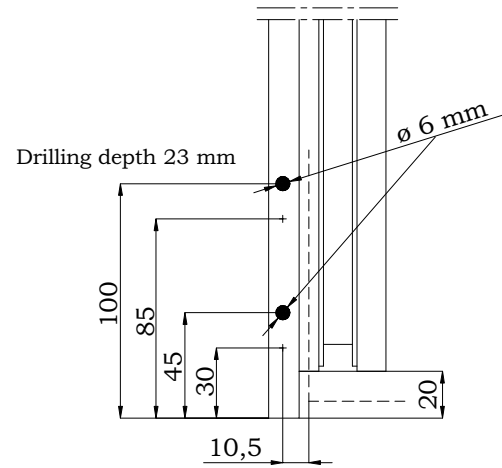
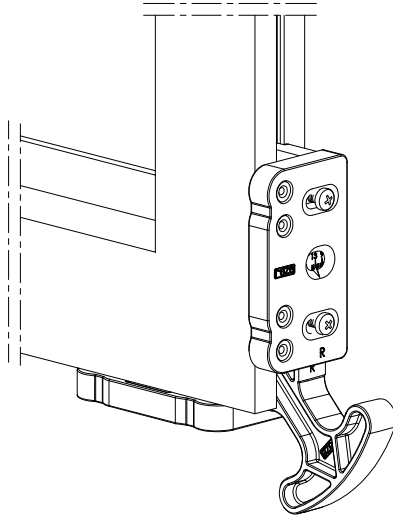
Product code 230101  
(Allen Key 4 mm)

Code	Description	
207101	Sash Hinge - Top 12/20 - Aks 9 mm	100
207102	Sash Hinge - Top 12/20 - Aks 13 mm	100
207103	Sash Hinge - Top 12/20 - Aks 14 mm	100




Product code 222103  
 (Casement jig; Axe 9/13 mm; Right/Left; hole diameter 3 mm)

Code	Description	
207201	Sash Hinge - Bottom 3 mm	100

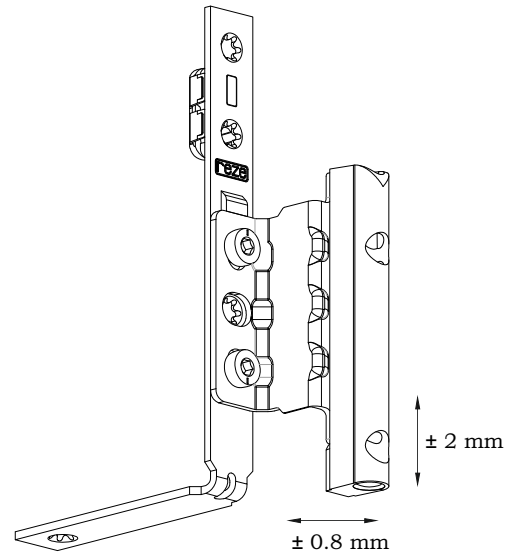
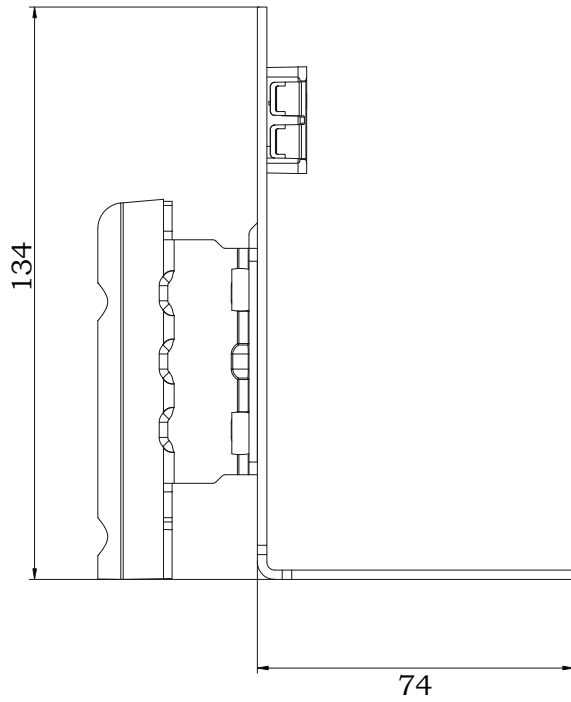


Product code 222104

(Casement jig; Axe 9/13 mm; Right/Left; hole diameter 6 mm)

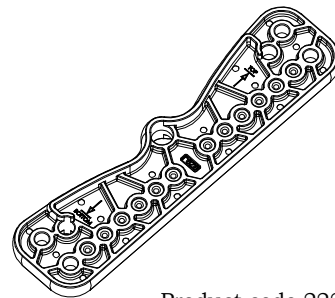
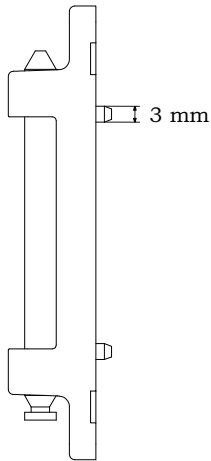
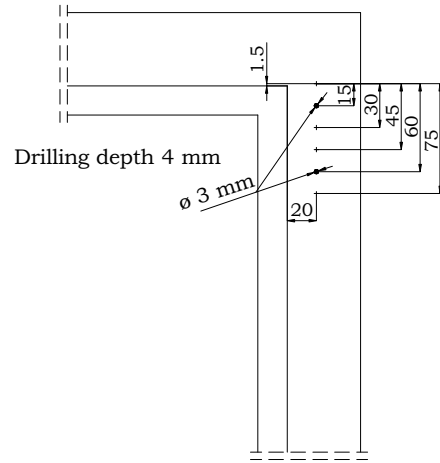
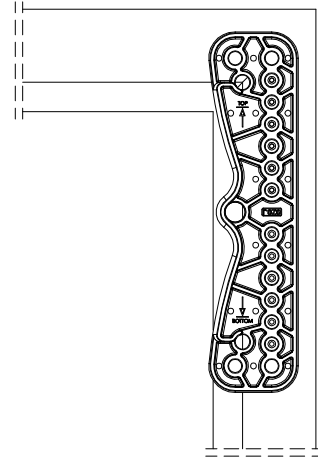
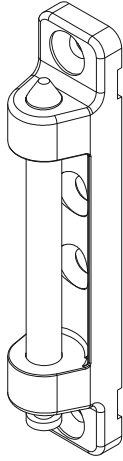
Code	Description	
207202	Sash Hinge - Bottom 6 mm	100





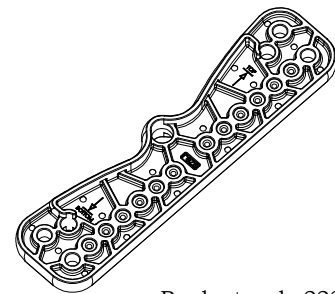
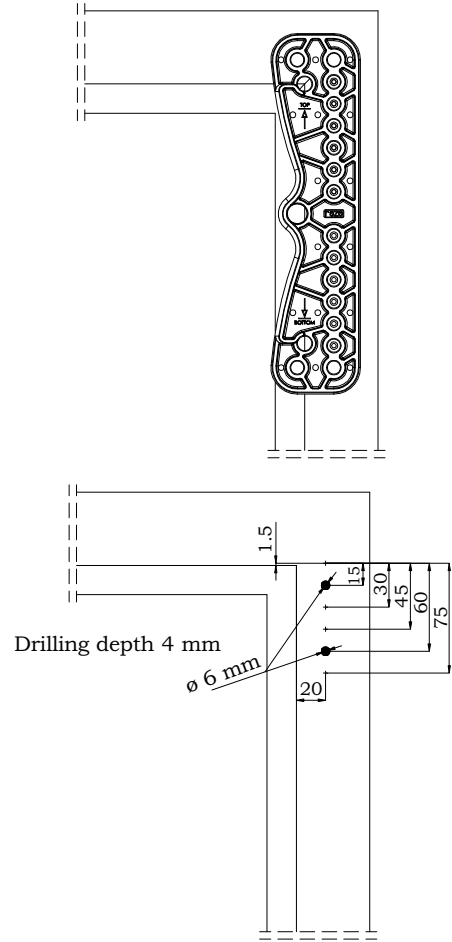
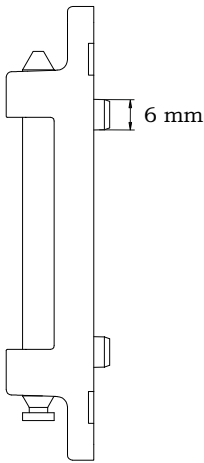
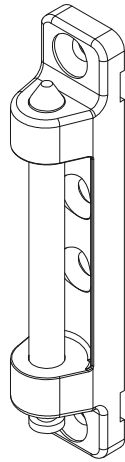
\*Can be installed without pattern

Code	Description	
207203	Rebated Sash Hinge Bottom, Axe 13 mm, Left	100
207204	Rebated Sash Hinge Bottom, Axe 13 mm, Right	100
207205	Rebated Sash Hinge Bottom, Axe 9 mm, Left	100
207206	Rebated Sash Hinge Bottom, Axe 9 mm, Right	100



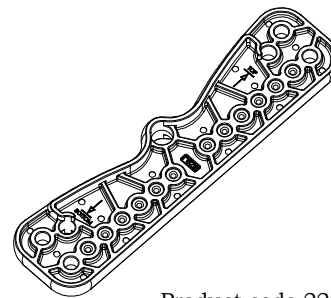
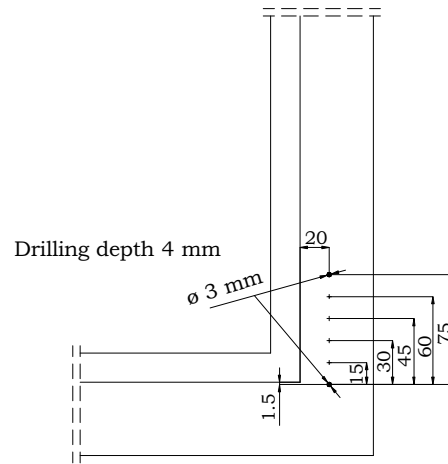
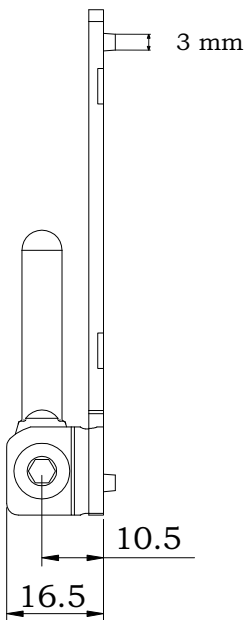
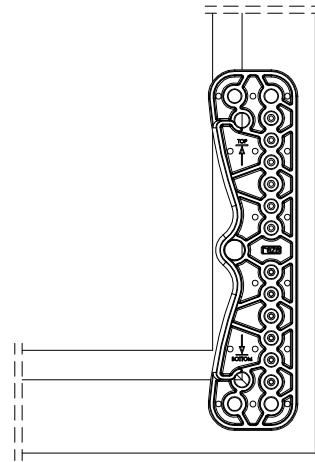
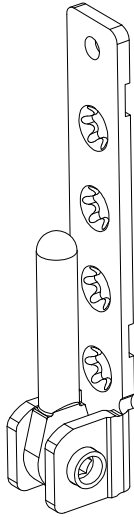
Product code 222101  
 (Frame jig; Axe 9/13 mm; Right/Left; hole diameter 3 mm)

Code	Description	
208101	Frame Hinge - Top 3 mm	100



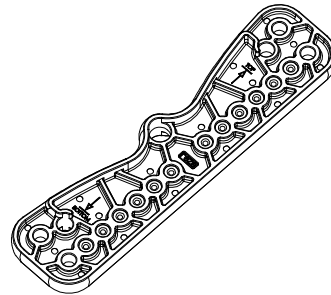
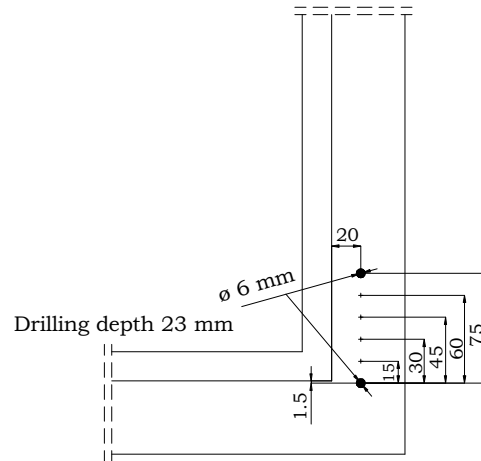
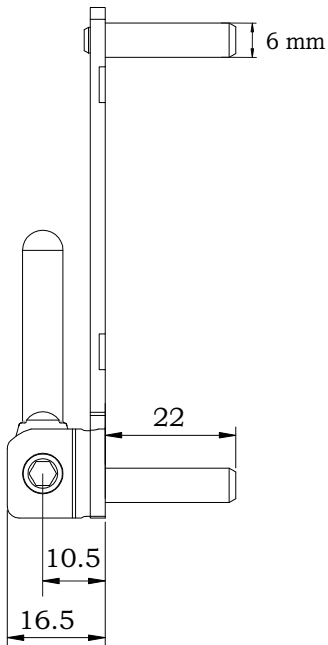
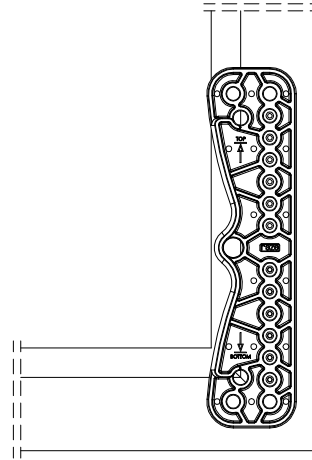
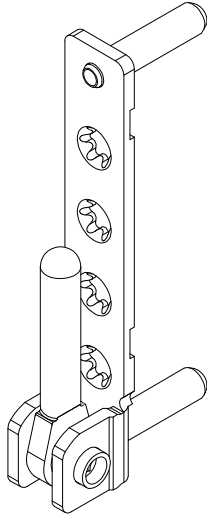
Product code 222102  
 (Frame jig; Axe 9/13 mm; Right/Left; hole diameter 6 mm)

Code	Description	
208102	Frame Hinge - Top 6 mm	100



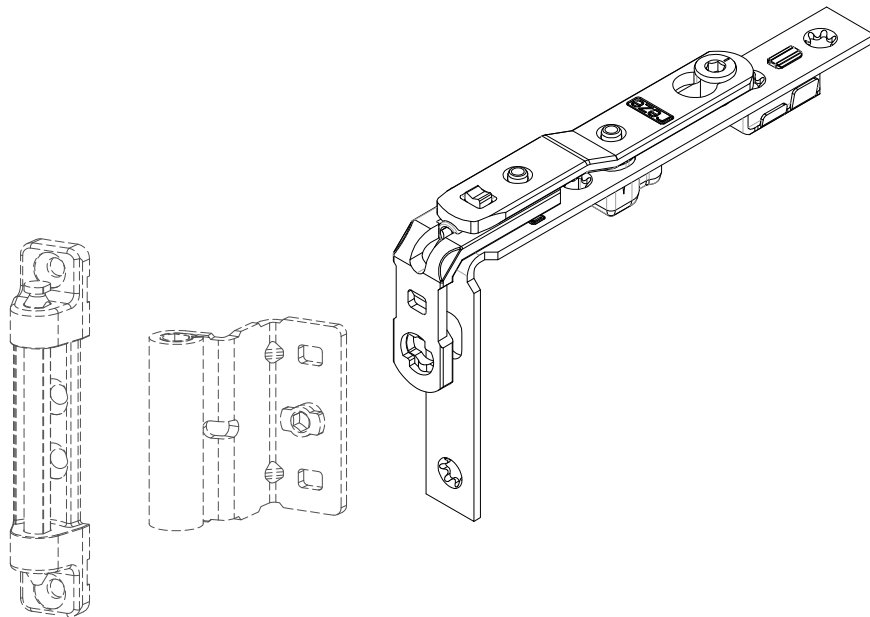
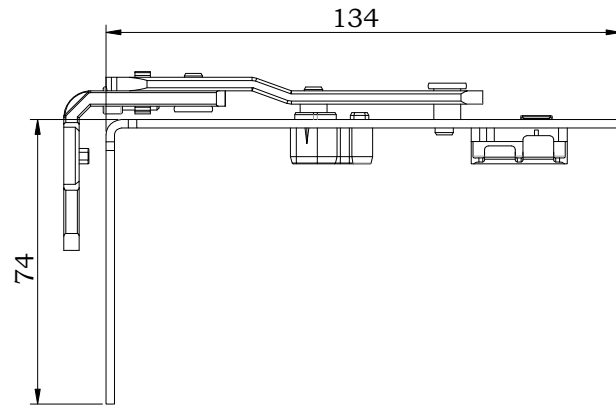
Product code 222101  
 (Frame jig; Axe 9/13 mm; Right/Left; hole diameter 3 mm)

Code	Description	
208201	Frame Hinge - Bottom (3 mm)	100

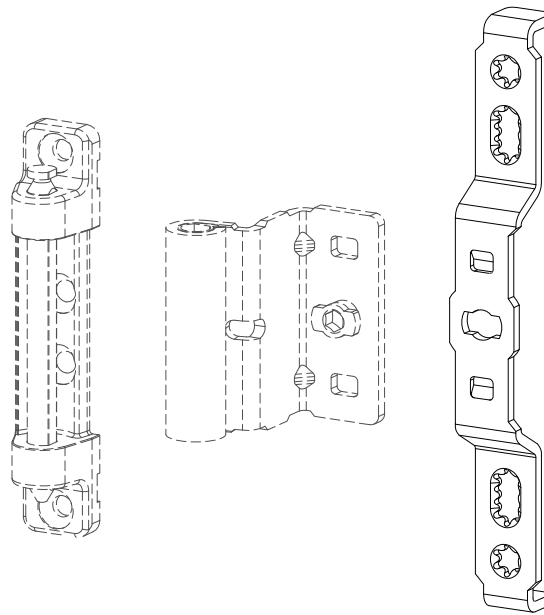
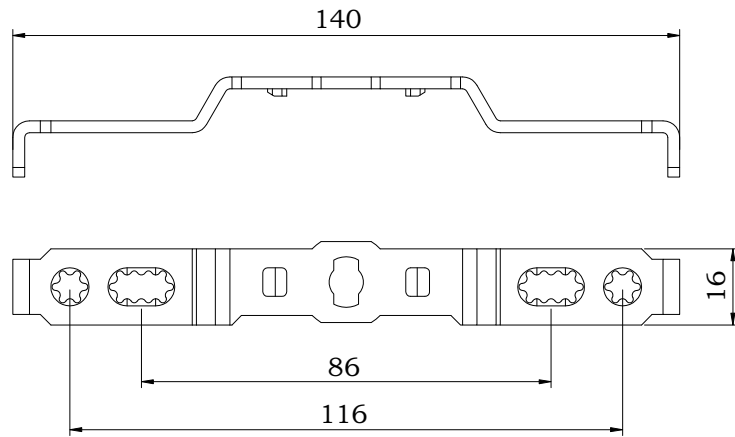


Product code 222102  
(Frame jig; Axe 9/13 mm; Right/Left; hole diameter 6 mm)

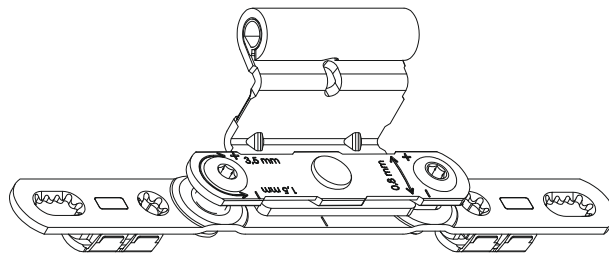
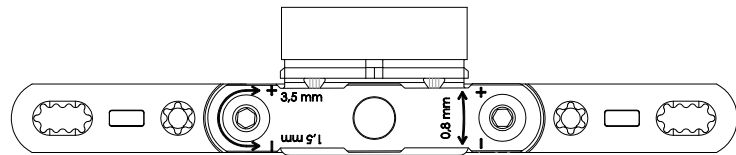
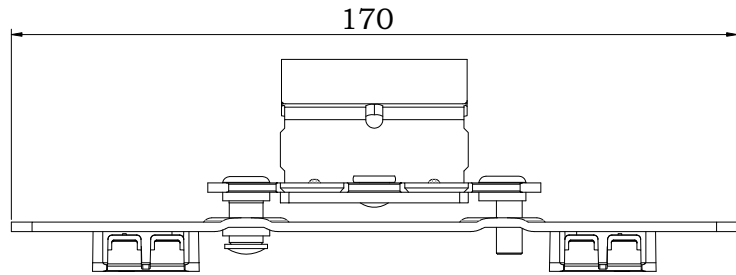
Code	Description	
208202	Frame Hinge - Bottom (6 mm)	100




Code	Description	
204171	Adjustable Side Hung Hinge	100

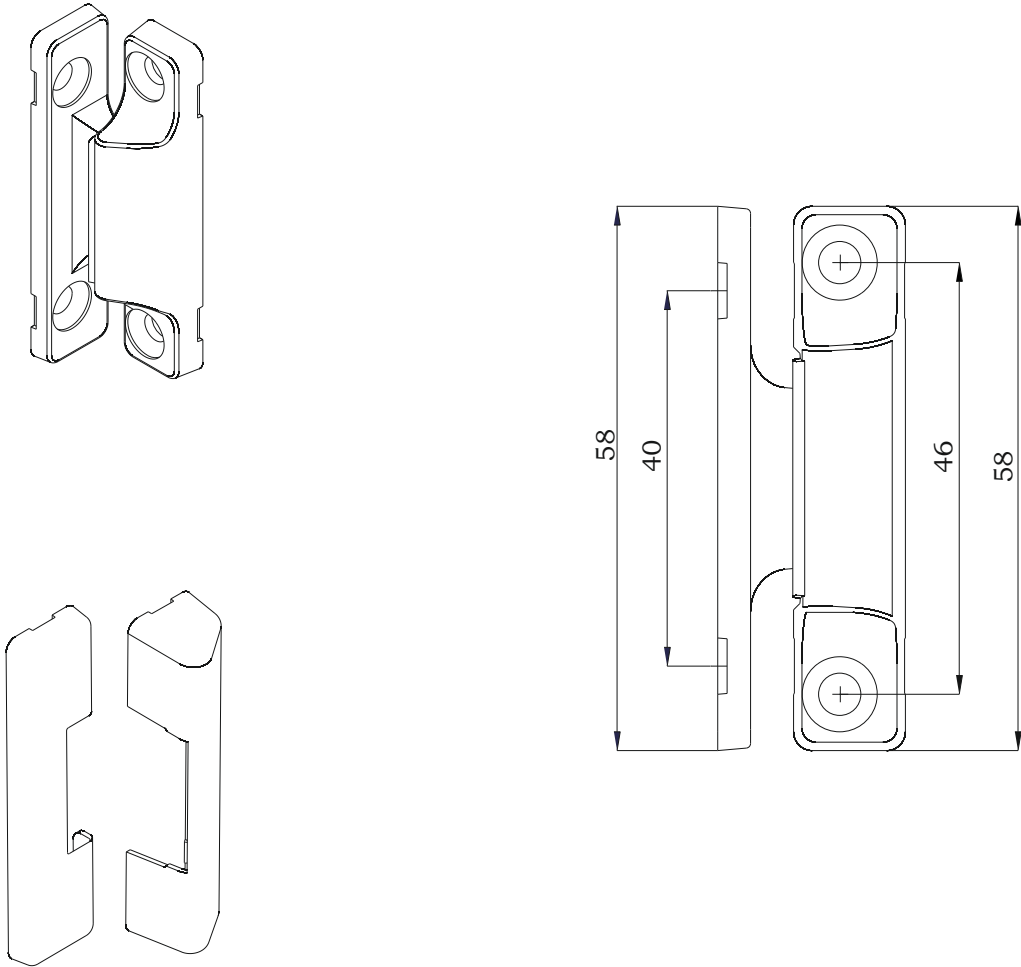



Code	Description	
221103	Sash Middle Hinge	100

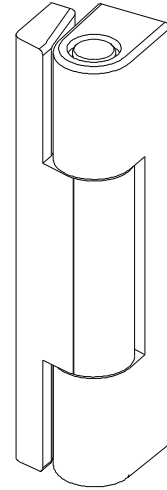
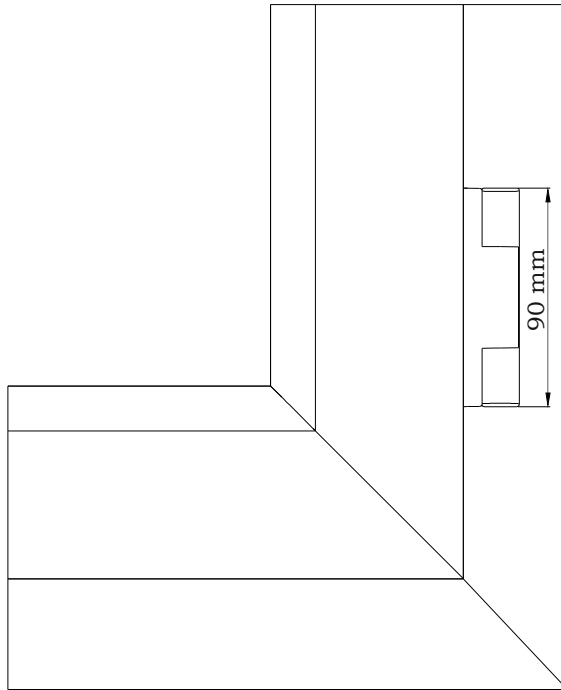


Code	Description	
221102	Adjustable Middle Hinge, Axe 13 mm	100
221502	Adjustable Middle Hinge, Axe 9 mm	100

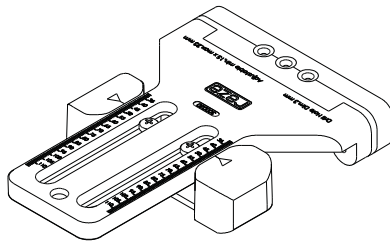




Code	Description		RAL
221104	Middle Compression Hinge (with covers)	100	<span style="border: 1px solid black; padding: 2px;">RAL 9016</span>
221105	Middle Compression Hinge (with covers)	100	<span style="background-color: #800000; color: white; padding: 2px;">RAL 8003</span>
221106	Middle Compression Hinge (with covers)	100	<span style="background-color: #404040; color: white; padding: 2px;">RAL 8017</span>

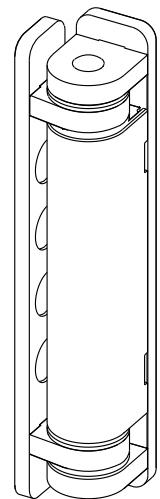
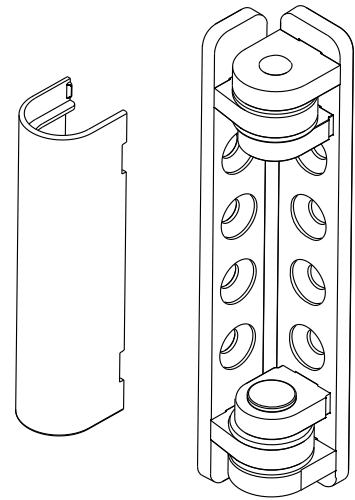
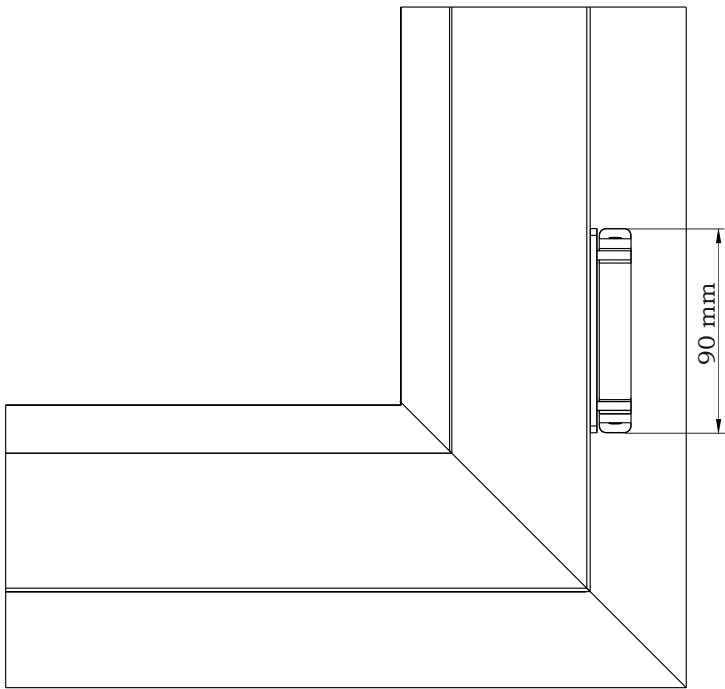


Product code 300020




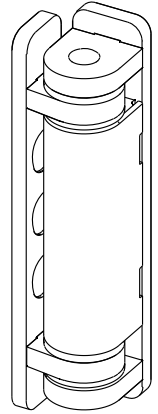
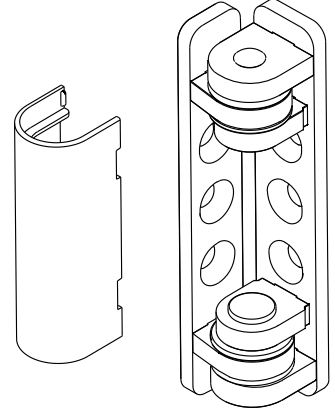
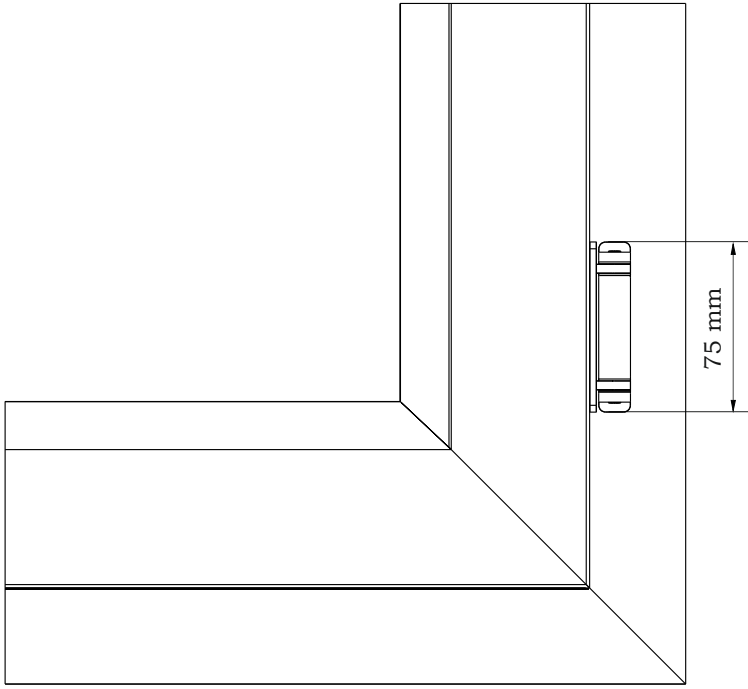
(Jig for Turn Hinge "ART"; hole diameter 3 mm )

Code	Description	RAL	
300101	Turn Hinge "ART" 90 mm	RAL 9016	160
300102	Turn Hinge "ART" 90 mm	RAL 8003	160
300103	Turn Hinge "ART" 90 mm	RAL 8017	160
300104	Turn Hinge "ART" 90 mm	RAL 8022	160
300105	Turn Hinge "ART" 90 mm	RAL 8019	160




«COMFY» Turn Hinges don't need a jig for installation

Code	Description	RAL	
300221	Turn Hinge «COMFY» 90 mm	RAL 9016	192
300222	Turn Hinge «COMFY» 90 mm	RAL 8003	192
300223	Turn Hinge «COMFY» 90 mm	RAL 8017	192
300224	Turn Hinge «COMFY» 90 mm	RAL 8022	192
300225	Turn Hinge «COMFY» 90 mm	RAL 8019	192

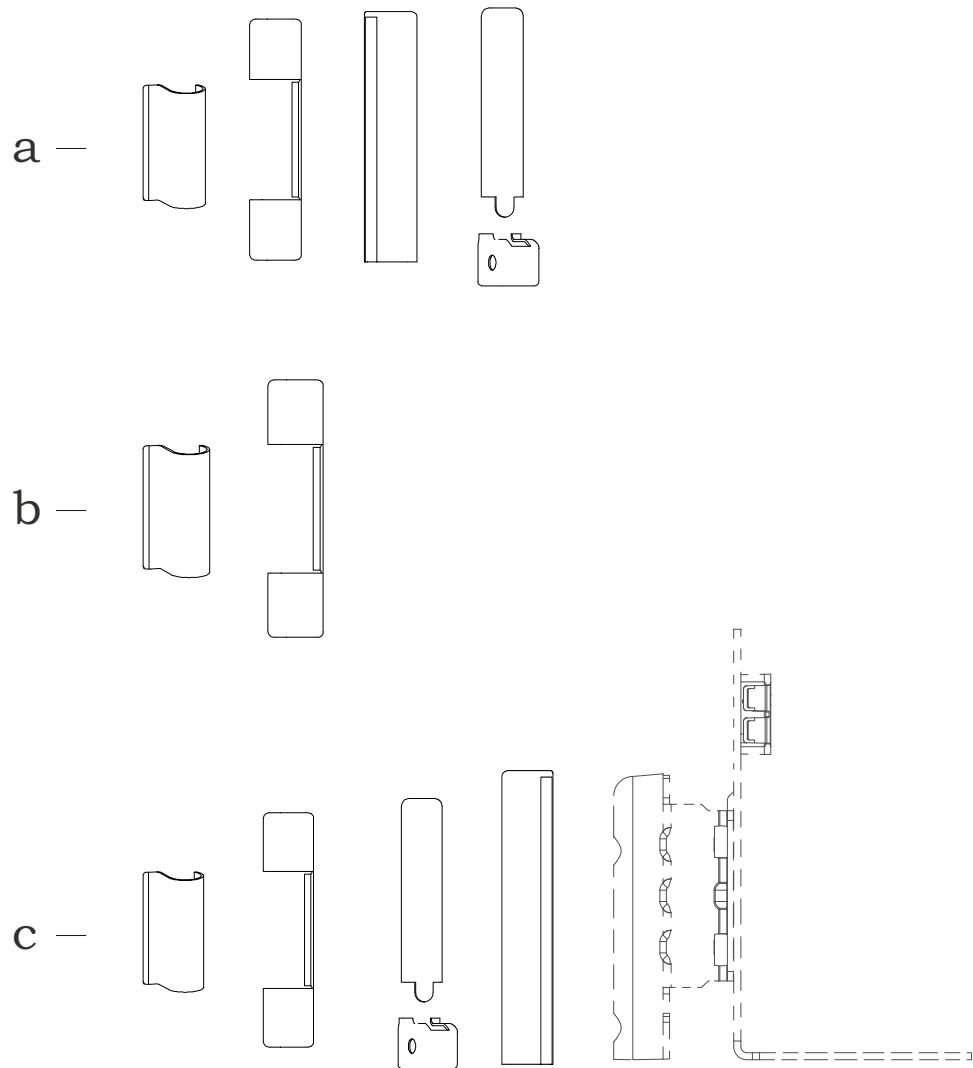


«COMFY» Turn Hinges don't need a jig for installation

Kod	Açıklama	RAL	
300201	Turn Hinge «COMFY» 75 mm	RAL 9016	192
300202	Turn Hinge «COMFY» 75 mm	RAL 8003	192
300203	Turn Hinge «COMFY» 75 mm	RAL 8017	192
300204	Turn Hinge «COMFY» 75 mm	RAL 8022	192
300105	Turn Hinge «COMFY» 75 mm	RAL 8019	192

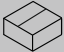
■ Covers





\*Plastic covers can be dispatched only by set.

\*On demand **Golden, Bronze, Silver and Champagne** colors can be produced to order.

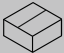
Code	Description	RAL	
a	220101 Plastic Cover Set (5 pcs)	RAL 9016	100
	220121 Plastic Cover Set (5 pcs)	RAL 8003	100
	220141 Plastic Cover Set (5 pcs)	RAL 8017	100
b	220107 Plastic Cover Set (2 pcs)	RAL 9016	100
	220127 Plastic Cover Set (2 pcs)	RAL 8003	100
	220147 Plastic Cover Set (2 pcs)	RAL 8017	100
c	220108 Plastic Cover Set (5 pcs) Right	RAL 9016	100
	220109 Plastic Cover Set (5 pcs) Left	RAL 9016	100
	220128 Plastic Cover Set (5 pcs) Right	RAL 8003	100
	220129 Plastic Cover Set (5 pcs) Left	RAL 8003	100
	220148 Plastic Cover Set (5 pcs) Right	RAL 8017	100
	220149 Plastic Cover Set (5 pcs) Left	RAL 8017	100

■ Strikers



## Vertical Tilt Locking Plate




Code	Profile	Axe	
209100	IVAPER	13 MM	100
209101	GEALAN; DECO; KBE 70 (227); NOVOTEX 70	13 MM	100
209103	REHAU; VEKA; VIVAPLAST; WDS; KMG; ALUPLAST; KBE 70 (228)	13 MM	100
209105	SALAMANDER; TERA PLAST	13 MM	100
209106	DECEUNINCK	13 MM	100
209111	DECEUNINCK; INOUTIC	13 MM	100
209501	KBE 58 (227); RAMPLAST; NOVOTEX 58	9 MM	100
209503	KBE 58 (228)	9 MM	100




## Locking Plates (Zamac)

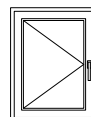
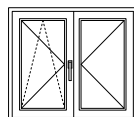
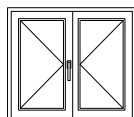
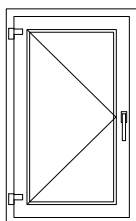


Code	Profile	Axe	
211100	IVAPER	13 MM	500
211101	GEALAN; DECO; KBE 70 (227); NOVOTEX 70	13 MM	500
211103	REHAU; VEKA; VIVAPLAST; WDS; KMG; ALUPLAST; KBE 70 (228)	13 MM	500
211105	SALAMANDER; TERA PLAST	13 MM	500
211106	DECEUNINCK	13 MM	300
211111	DECEUNINCK; INOUTIC	13 MM	300
211501	KBE 58 (227); RAMPLAST; NOVOTEX 58	9 MM	500
211503	KBE 58 (228)	9 MM	500

## Locking Plates (Steel)

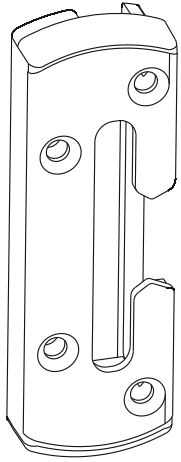


Code	Profile	Axe	
211121	GEALAN; DECO; KBE 70 (227); NOVOTEX 70	13 MM	500
211123	REHAU; VEKA; VIVAPLAST; WDS; KMG; ALUPLAST; KBE 70 (228)	13 MM	500
211125	SALAMANDER; TERA PLAST	13 MM	500
211521	KBE 58 (227); RAMPLAST; NOVOTEX 58	9 MM	500
211523	KBE 58 (228)	9 MM	500

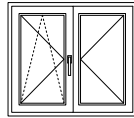
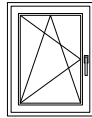




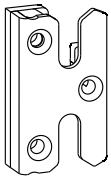
## Horizontal Tilt Locking Plate



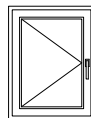
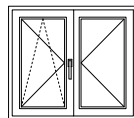
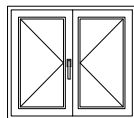
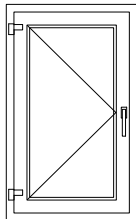
Code	Profile	Axe	
210101	GEALAN; DECO; KBE 70 (227); NOVOTEX 70	13 mm	100
210103	REHAU; VEKA; VIVAPLAST; WDS; KMG; ALUPLAST; KBE 70 (228)	13 mm	100
210105	SALAMANDER; TERA PLAST	13 mm	100
210503	KBE 58 (228); RAMPLAST	9 mm	100



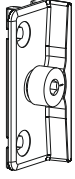
## Security Locking Plate



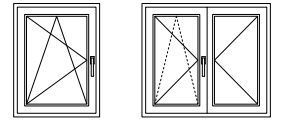
Code	Profile	Axe	
212101	GEALAN; DECO; KBE 70 (227); NOVOTEX 70	13 mm	100
212103	REHAU; VEKA; VIVAPLAST; WDS; KMG; ALUPLAST; KBE 70 (228)	13 mm	100
212105	SALAMANDER; TERA PLAST	13 mm	100
212503	KBE 58 (228); RAMPLAST	9 mm	100



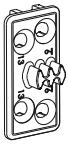
## Mishandling & Lifting Device Locking Plate



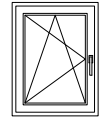
Code	Application	Axe	
214101	221101; Standard	13 MM	100
214501	221101; Standard	9 MM	100
214901	221101; Double sash	—	100



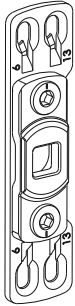
## Night-vent Multi-stepped Locking Plate



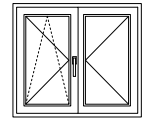
Code	Application	Axe	
215101	203106	9/13 MM	100



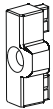
## Locking Plate - Bolt (adjustable)



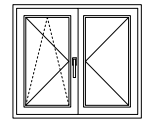
Code	Application	Axe	
213102	202141; 202142; 202143	9/13 MM	100



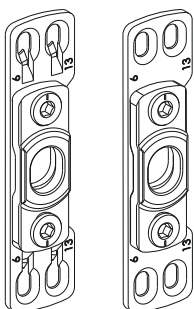
## Locking Plate - Bolt



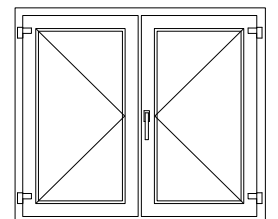
Code	Application	Axe	
213101	202141; 202142; 202143	13 MM	200
213501	202141; 202142; 202143	9 MM	200

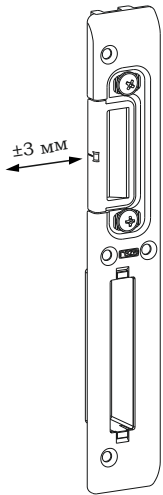


## Door Locking Bolt Striker



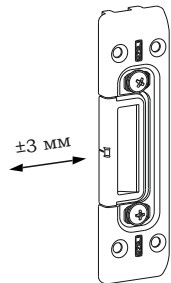
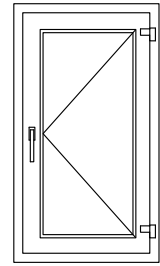
Code	Application	Axe	
213103	202144	9/13 MM	100
213104	202144	9/13 MM	100





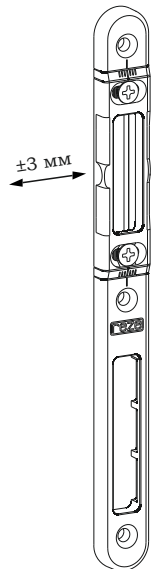
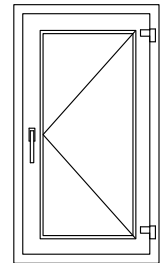
Multi-Point Door Lock Striker (Long)

Code	Application	Axe	
405101	Right	13 mm	100
405102	Left	13 mm	100
405501	Right	9 mm	100
405502	Left	9 mm	100



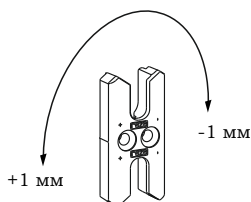
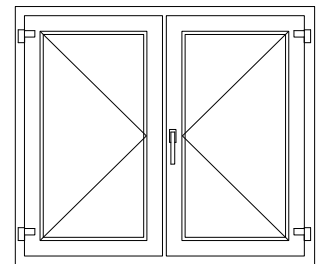
Multi-Point Door Lock Striker (Short)

Code	Application	Axe	
405103	Universal	13 mm	100
405503	Universal	9 mm	100



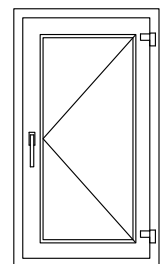
Multi-Point Door Lock Striker (For Double Sash)

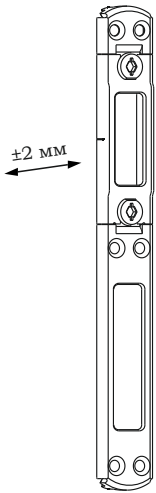
Code	Application	Axe	
405901	Universal	-	100



Universal Security Locking Plate

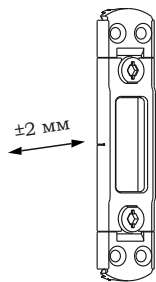
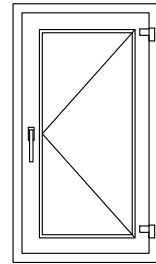
Code	Application	Axe	
211135	Universal	13 mm	100





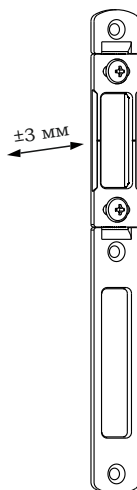
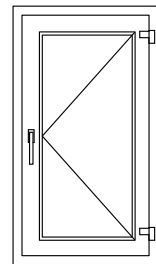
Flex Door Lock Striker Long (Steel)

Code	Application	Axe	
405104	Universal (PVC)	13 mm	80
405504	Universal (PVC)	9 mm	80



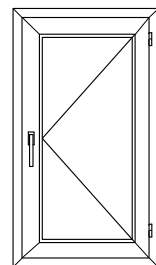
Flex Door Lock Striker Short (Steel)

Code	Application	Axe	
405105	Universal (PVC)	13 mm	100
405505	Universal (PVC)	9 mm	100



AluFlex Door Lock Striker Long (Steel)

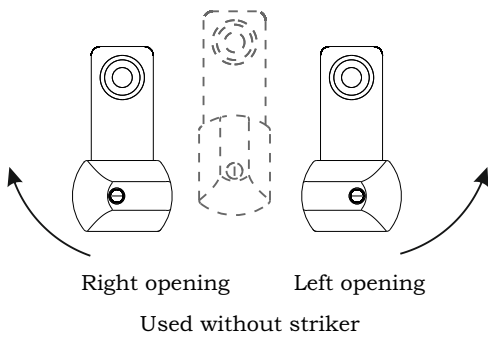
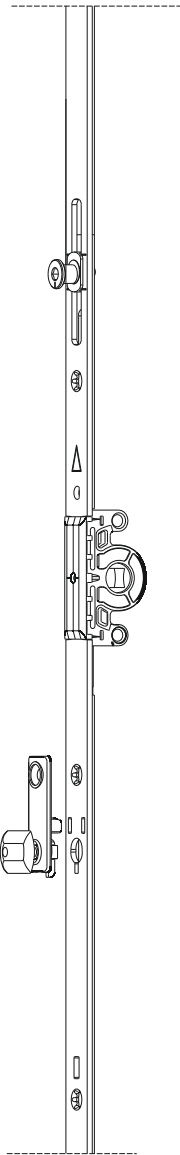
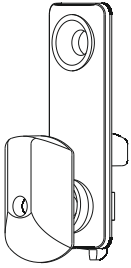
Code	Application	Axe	
405902	Universal (Aluminum)	-	80



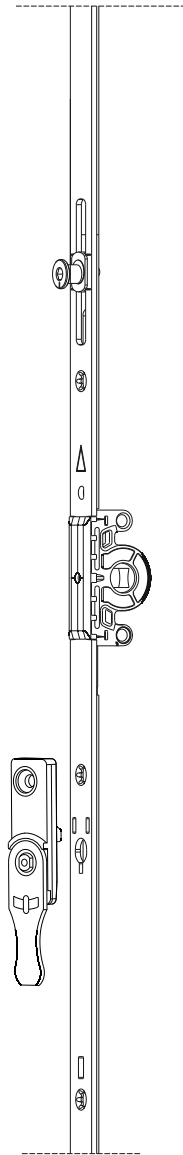
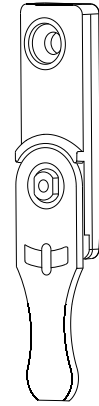
■ Accessories



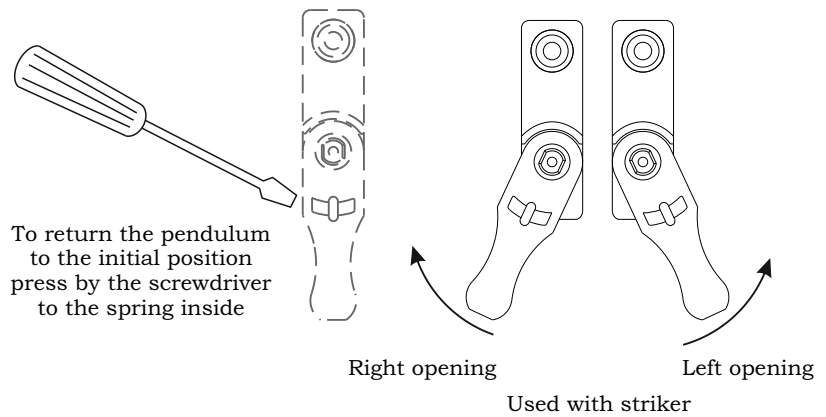
Product code  
221201



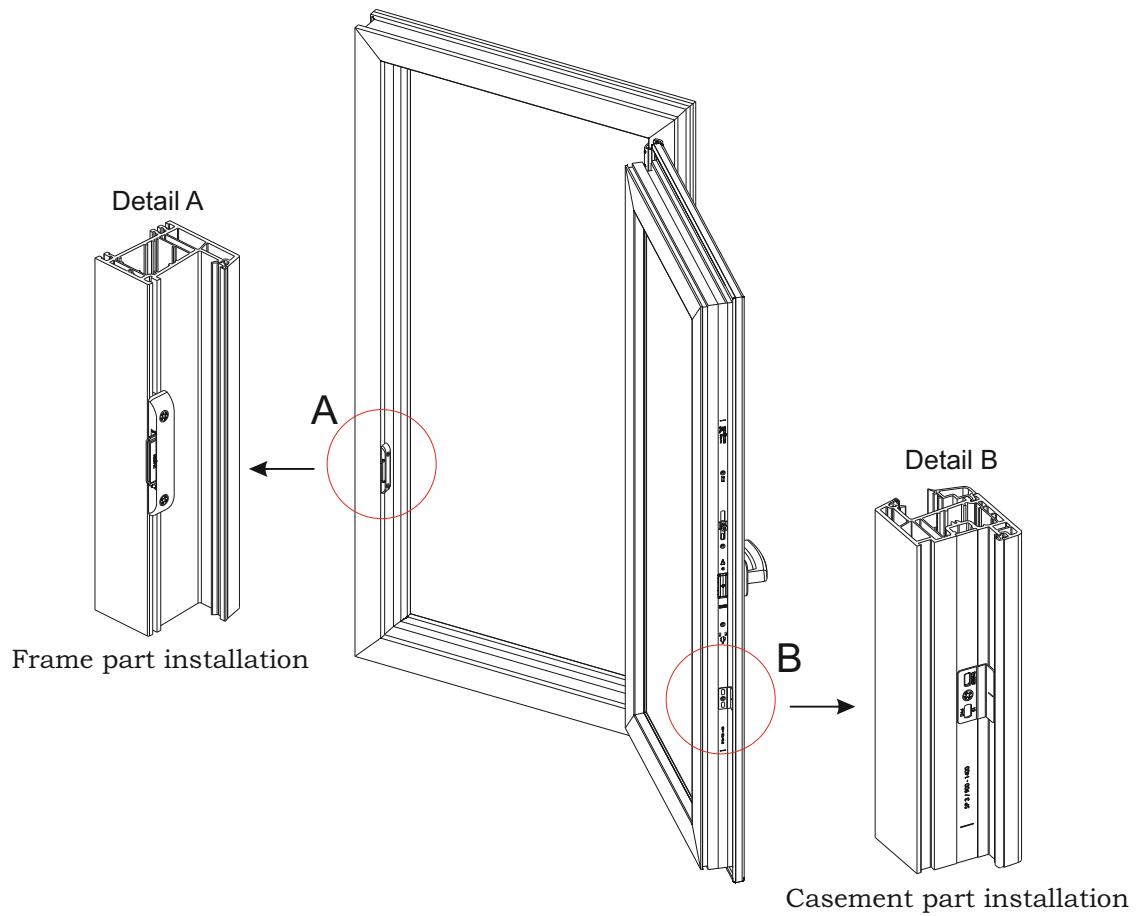
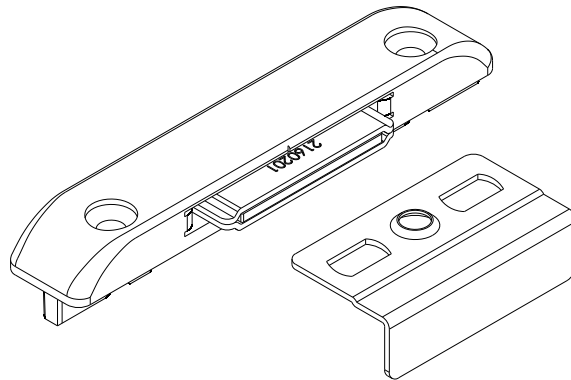
Product code  
221101



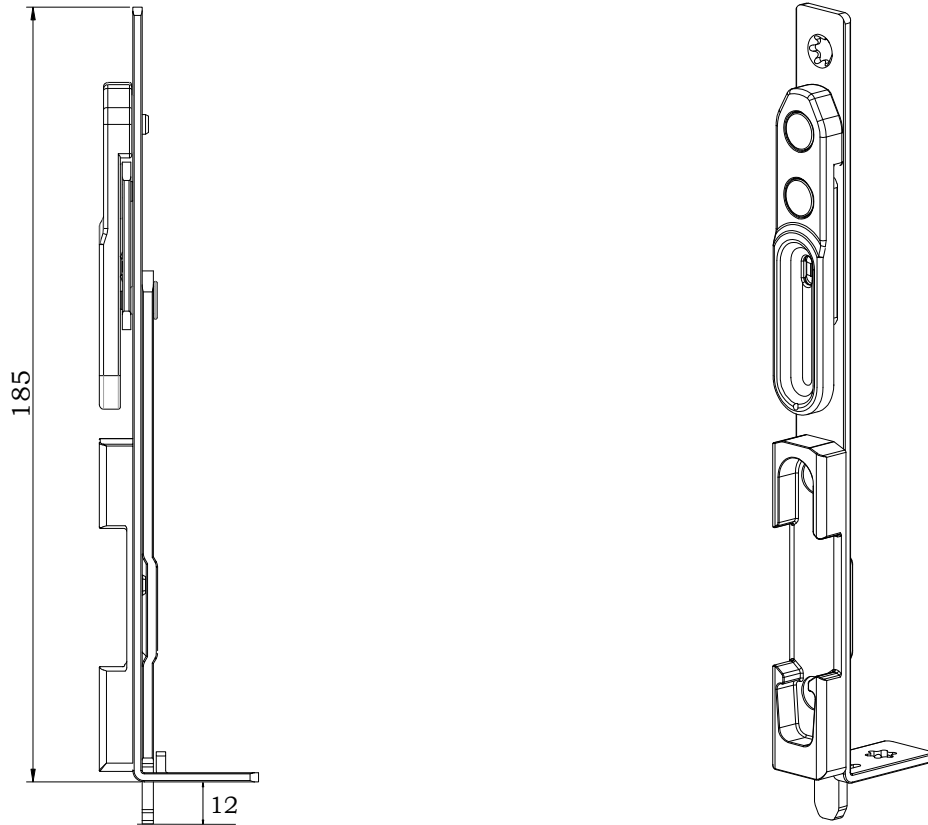
After installation  
manually turn  
device's pendulum  
for right or left  
opening




Code	Description	
221201	Standard Mishandling Device	100
221101	Mishandling & Lifting Device	100



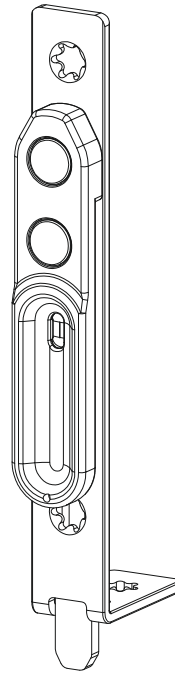
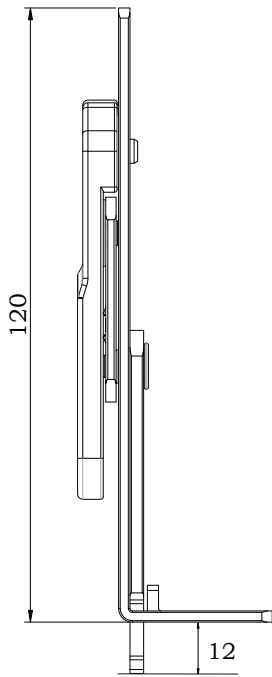
Code	Description	
216101	Magnetic Balcony Door Catch - 13 Axe	100
216501	Magnetic Balcony Door Catch - 13 Axe	100




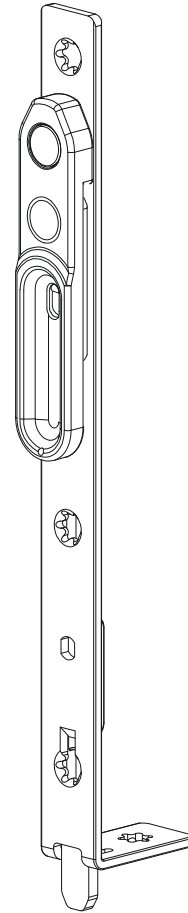
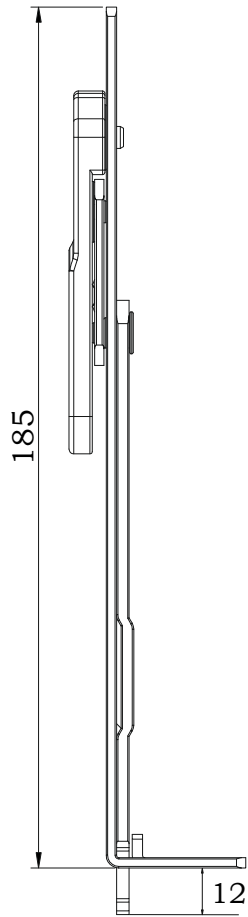
\*Can be used in the double casement applications without Double Sash Gear


Code	Description	
202141	Locking Bolt (with stricker)	100

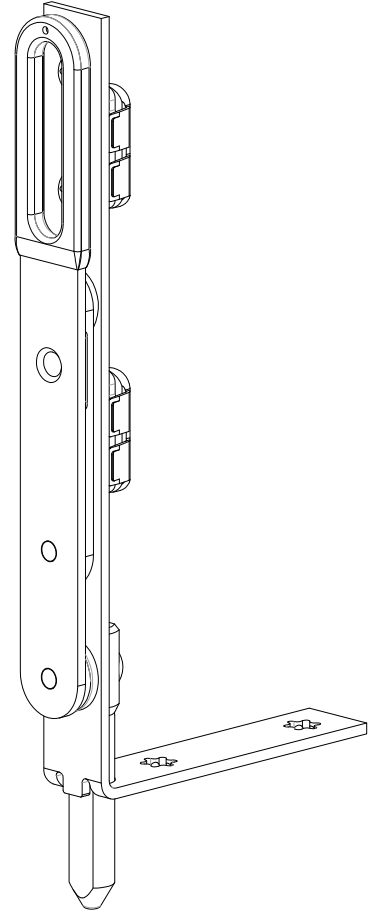
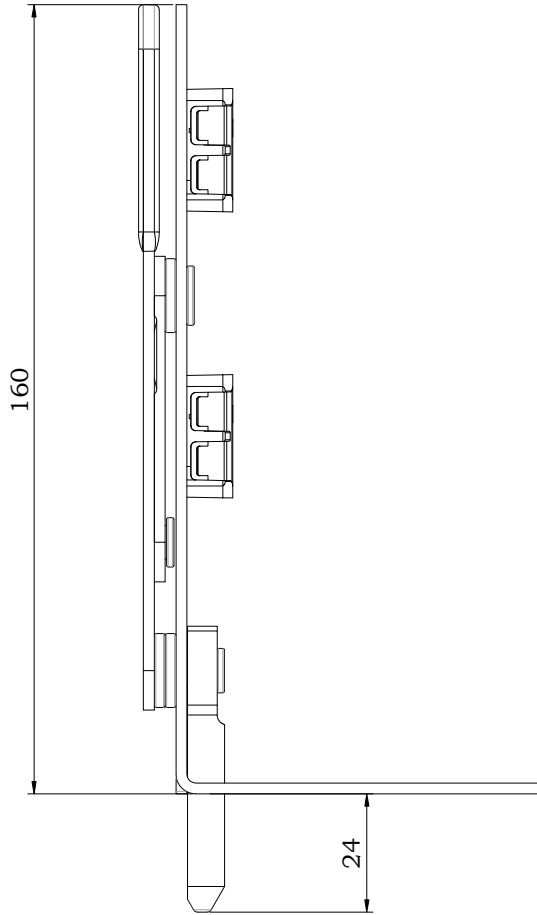




Code	Description	
202143	Locking Bolt (Short)	100



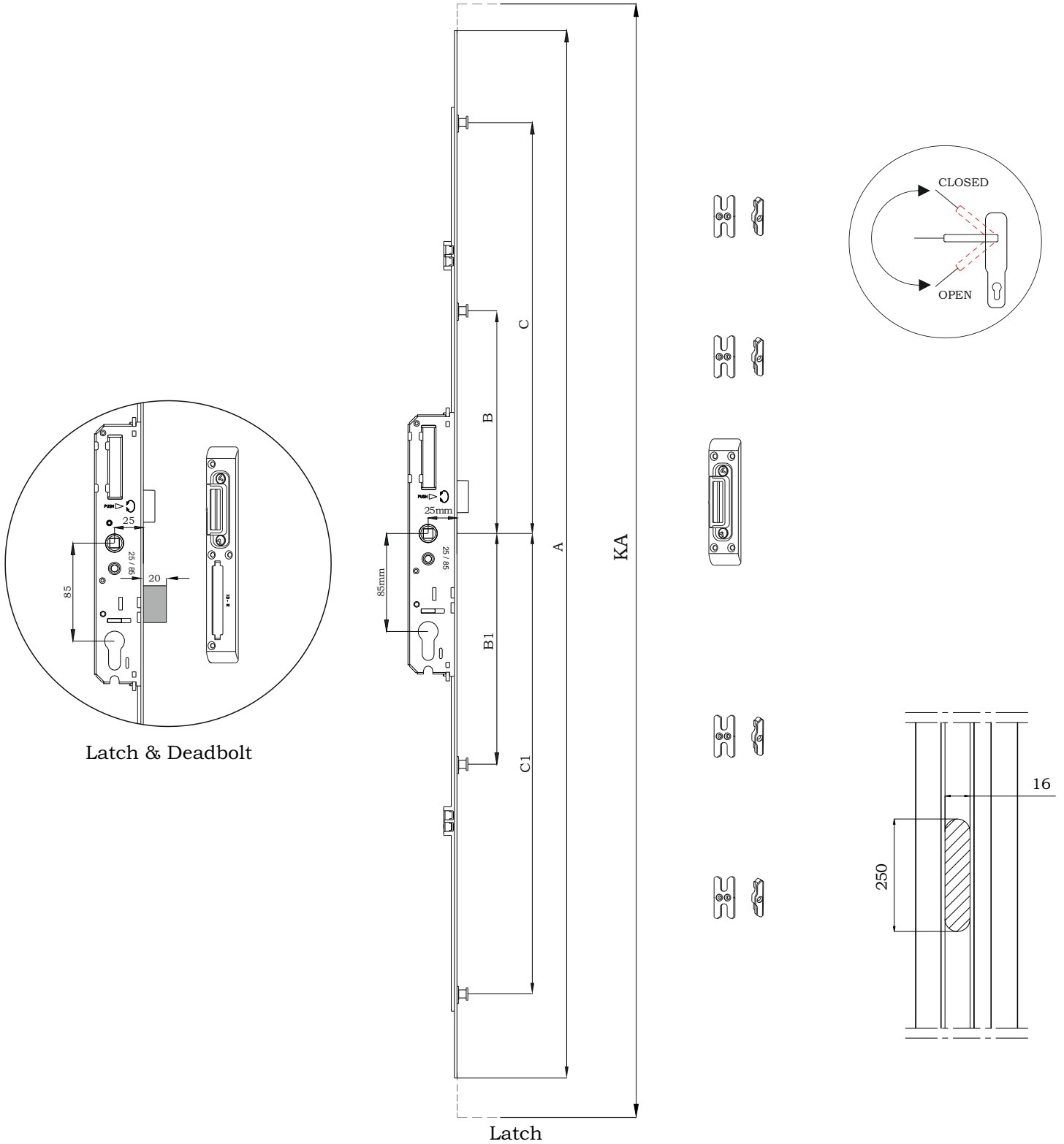
Code	Description	
202142	Locking Bolt (Long)	4



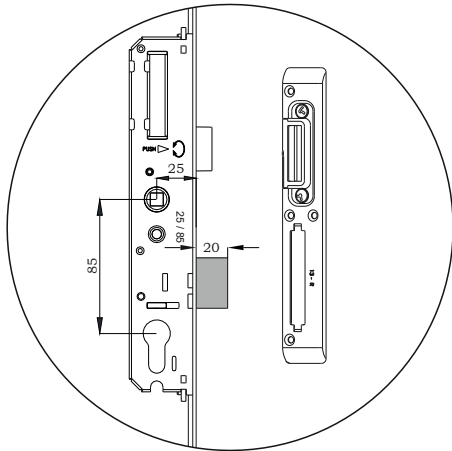
Code	Description	
202144	Door Locking Bolt	100

■ Multi-Point Door Locks

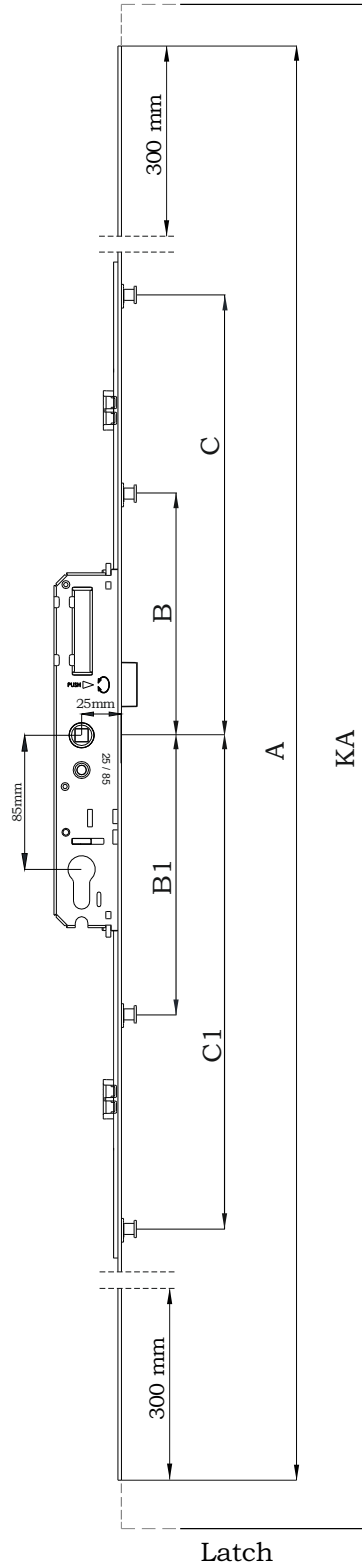




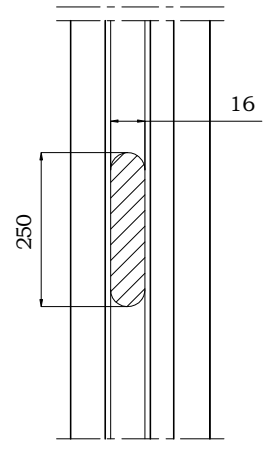
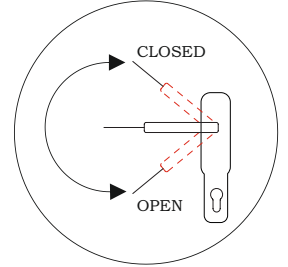
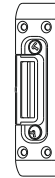
Code	Description	KA (MM)	A (MM)	B (MM)	B1 (MM)	C (MM)	C1 (MM)		
400101	25/85 SR Latch & Deadbolt	1600 - 1800	1600	218	255	691	728	4	10
400102	25/85 Latch	1600 - 1800	1600	218	255	691	728	4	10
400103	25/85 SR Latch & Deadbolt	1800 - 2000	1800	252	289	791	828	4	10
400104	25/85 Latch	1800 - 2000	1800	252	289	791	828	4	10
400105	25/85 SR Latch & Deadbolt	2000 - 2200	2000	286	323	891	928	4	10
400106	25/85 Latch	2000 - 2200	2000	286	323	891	928	4	10



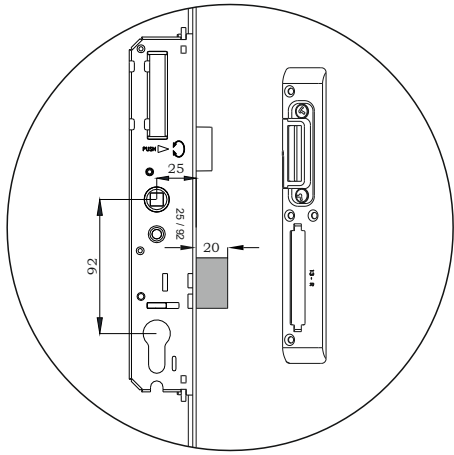
Latch & Deadbolt



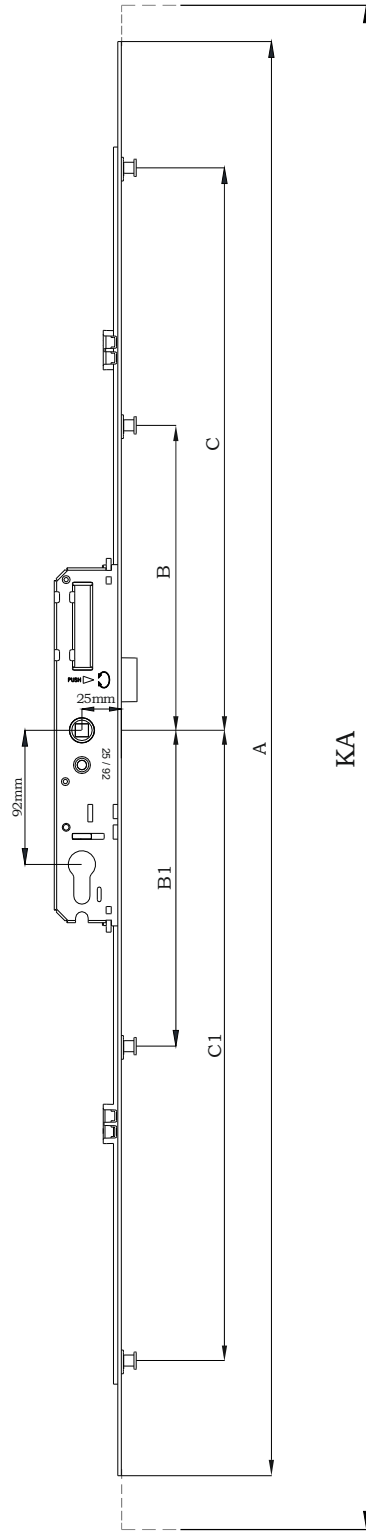
Latch



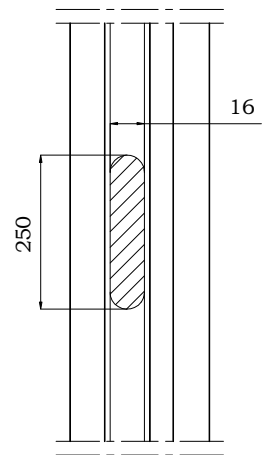
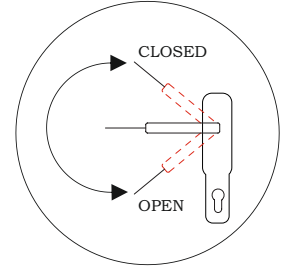
Code	Description	KA (MM)	A (MM)	B (MM)	B1 (MM)	C (MM)	C1 (MM)		
400107	25/85 SR Latch & Deadbolt	1600 - 2200	2200	218	255	691	728	4	10
400108	25/85 Latch	1600 - 2200	2200	218	255	691	728	4	10





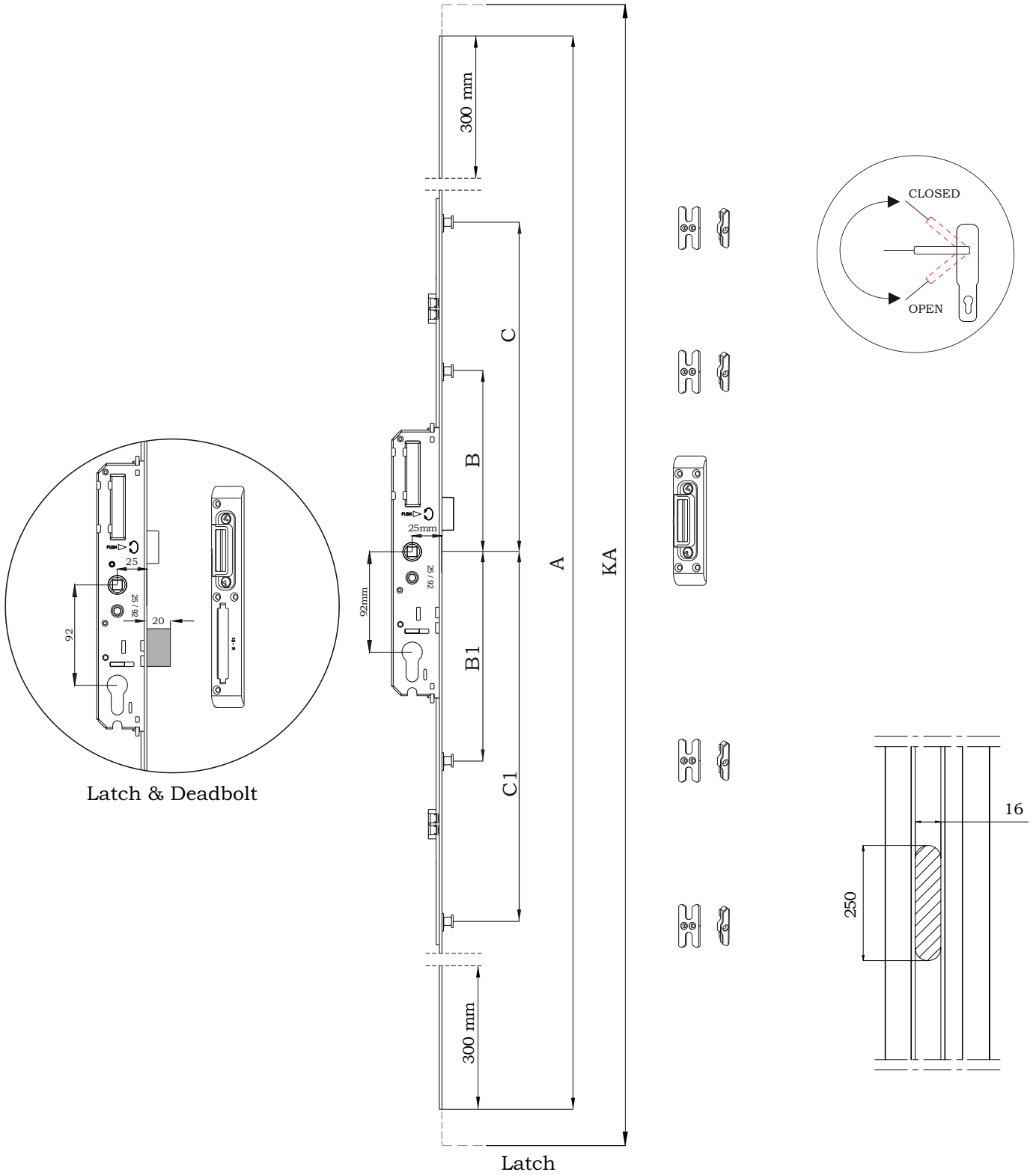
Latch & Deadbolt



Latch

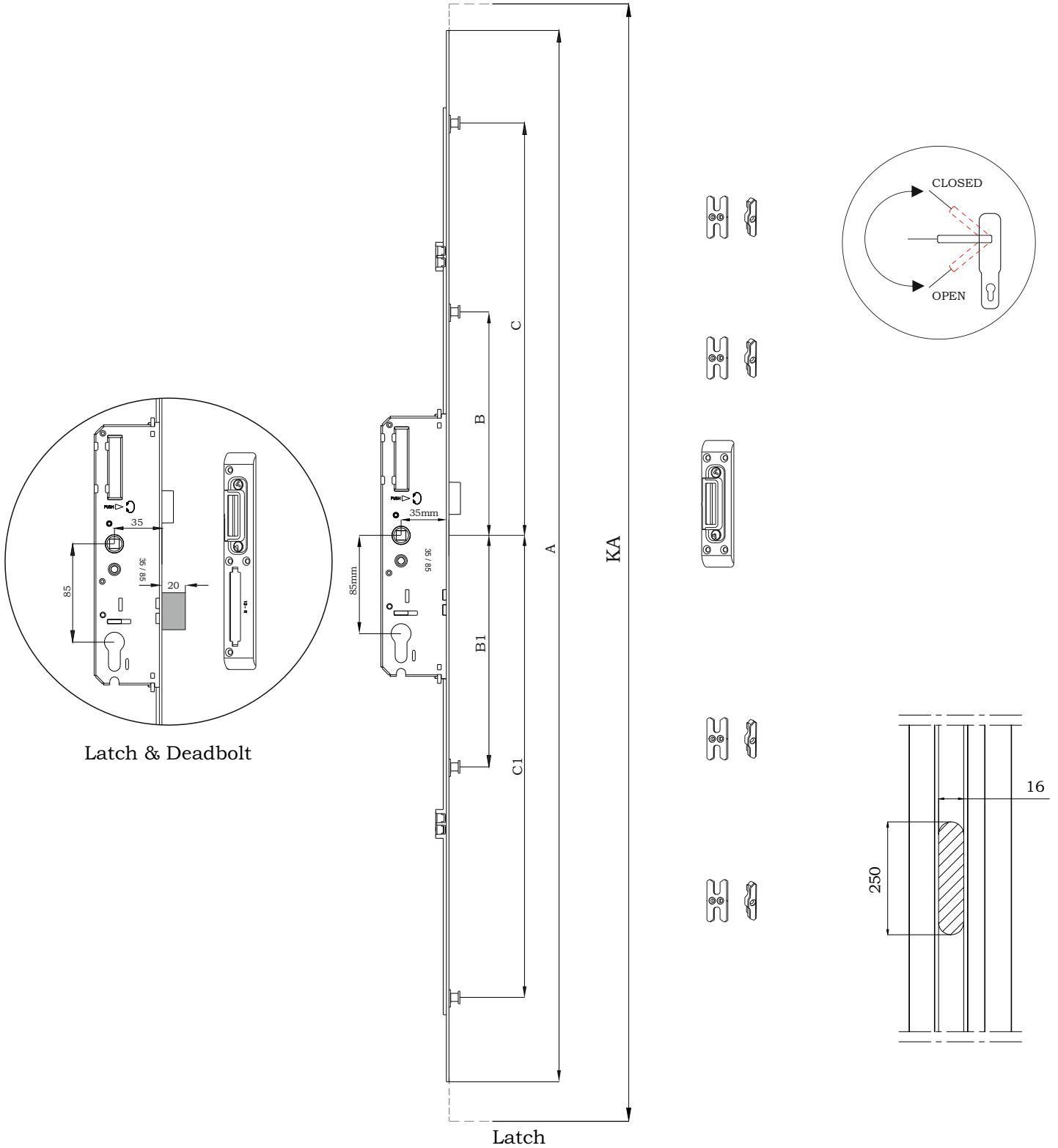


Code	Description	KA (MM)	A (MM)	B (MM)	B1 (MM)	C (MM)	C1 (MM)		
400161	25/92 SR Latch & Deadbolt	1600 - 1800	1600	218	262	691	735	4	10
400162	25/92 Latch	1600 - 1800	1600	218	262	691	735	4	10
400163	25/92 SR Latch & Deadbolt	1800 - 2000	1800	252	296	791	835	4	10
400164	25/92 Latch	1800 - 2000	1800	252	296	791	835	4	10
400165	25/92 SR Latch & Deadbolt	2000 - 2200	2000	286	330	891	935	4	10
400166	25/92 Latch	2000 - 2200	2000	286	330	891	935	4	10

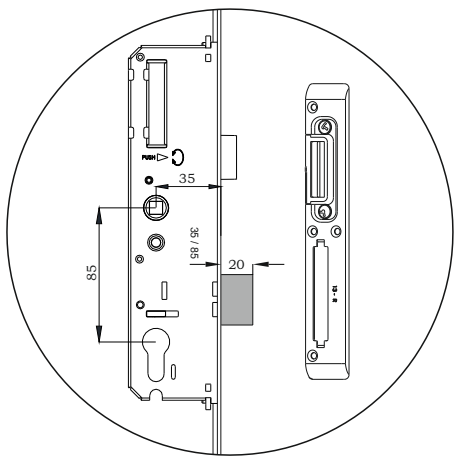


Code	Description	KA (MM)	A (MM)	B (MM)	B1 (MM)	C (MM)	C1 (MM)		
400167	25/92 SR Latch & Deadbolt	1600 - 2200	2200	218	262	691	735	4	10
400168	25/92 Latch	1600 - 2200	2200	218	262	691	735	4	10

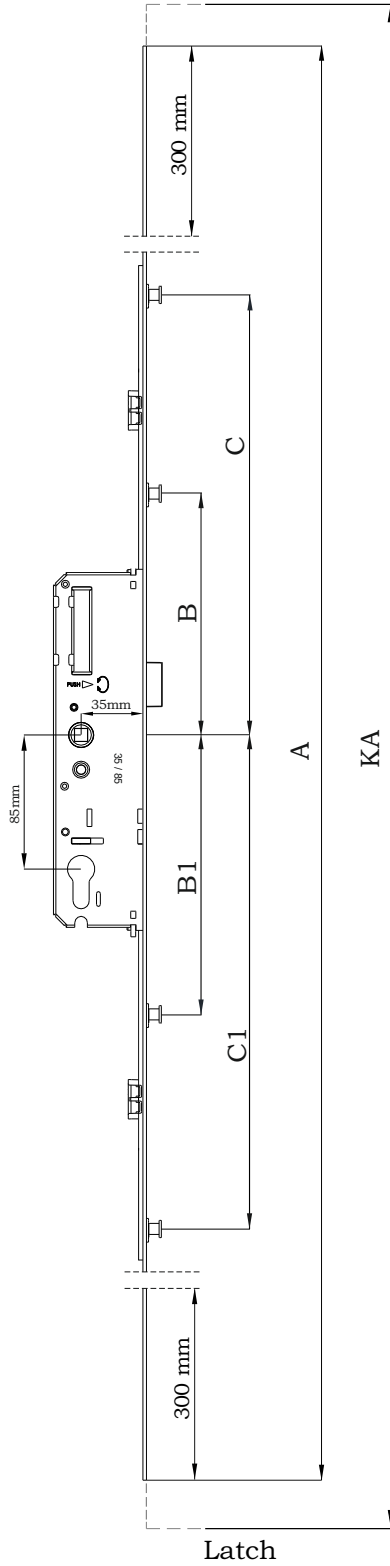




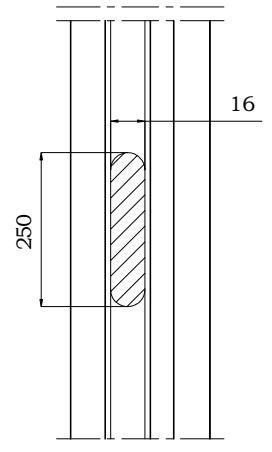
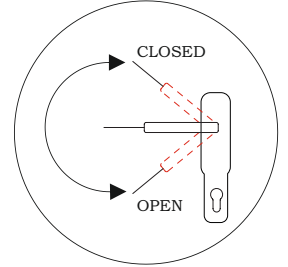
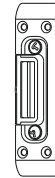
Code	Description	KA (MM)	A (MM)	B (MM)	B1 (MM)	C (MM)	C1 (MM)		
400121	35/85 SR Latch & Deadbolt	1600 - 1800	1600	218	255	691	728	4	10
400122	35/85 Latch	1600 - 1800	1600	218	255	691	728	4	10
400123	35/85 SR Latch & Deadbolt	1800 - 2000	1800	252	289	791	828	4	10
400124	35/85 Latch	1800 - 2000	1800	252	289	791	828	4	10
400125	35/85 SR Latch & Deadbolt	2000 - 2200	2000	286	323	891	928	4	10
400126	35/85 Latch	2000 - 2200	2000	286	323	891	928	4	10



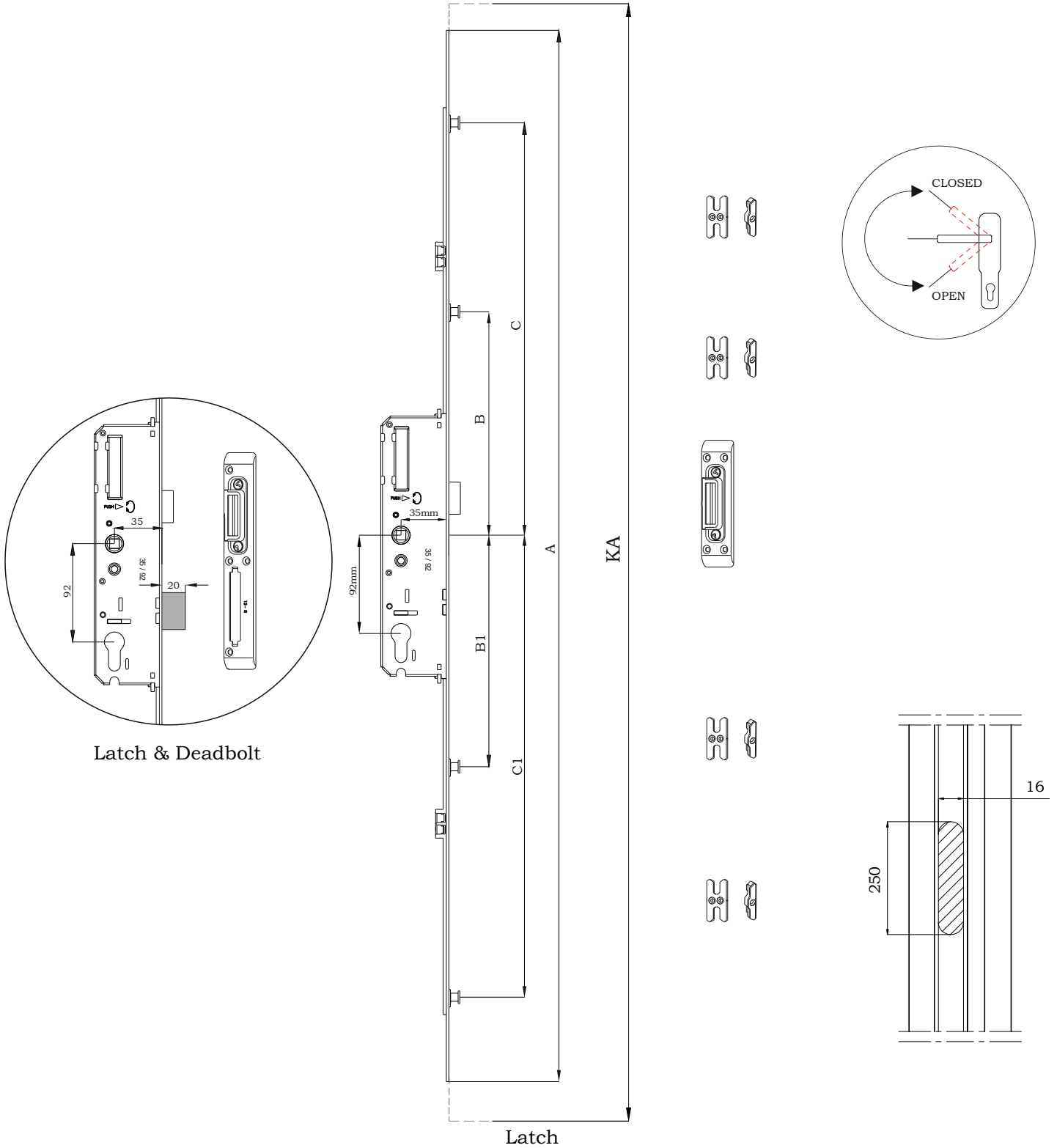
Latch & Deadbolt





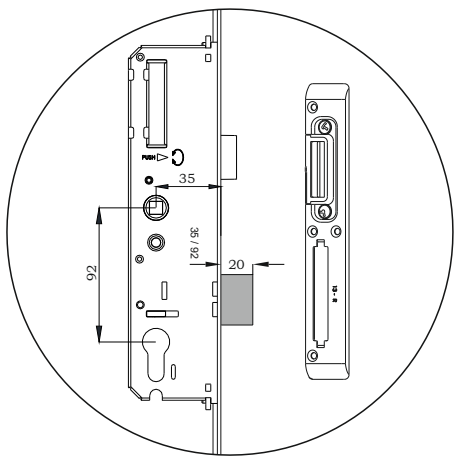
Latch



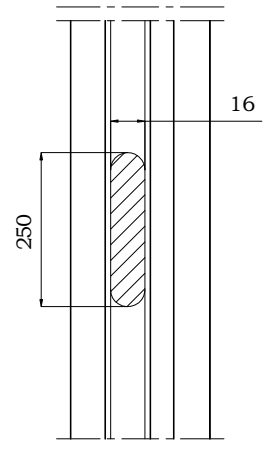
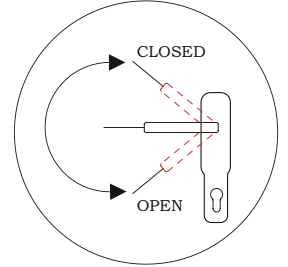
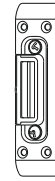
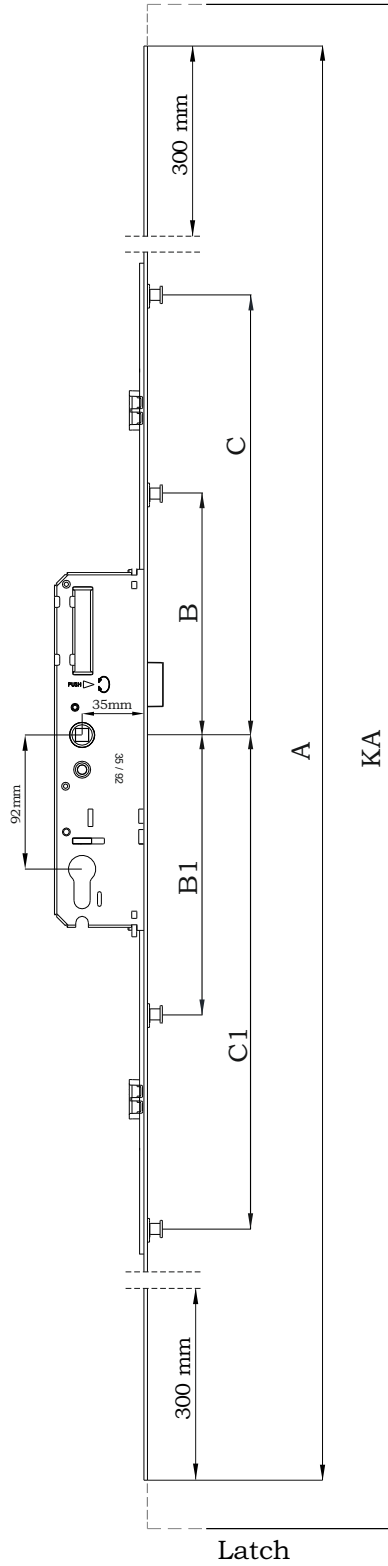
Code	Description	KA (MM)	A (MM)	B (MM)	B1 (MM)	C (MM)	C1 (MM)		
400127	35/85 SR Latch & Deadbolt	1600 - 2200	2200	218	255	691	728	4	10
400128	35/85 Latch	1600 - 2200	2200	218	255	691	728	4	10



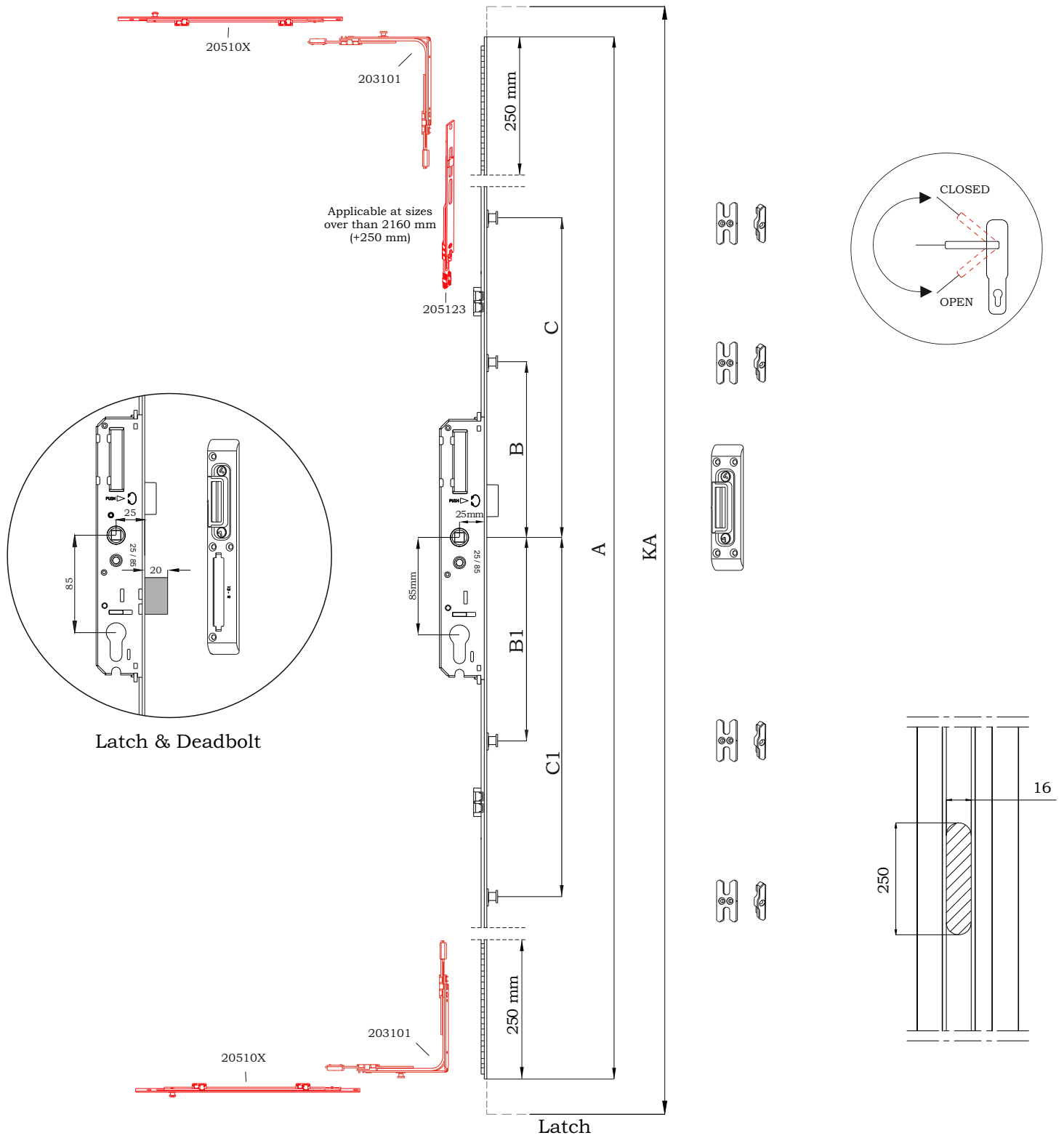
Code	Description	KA (MM)	A (MM)	B (MM)	B1 (MM)	C (MM)	C1 (MM)		
400181	35/92 SR Latch & Deadbolt	1600 - 1800	1600	218	262	691	735	4	10
400182	35/92 Latch	1600 - 1800	1600	218	262	691	735	4	10
400183	35/92 SR Latch & Deadbolt	1800 - 2000	1800	252	296	791	835	4	10
400184	35/92 Latch	1800 - 2000	1800	252	296	791	835	4	10
400185	35/92 SR Latch & Deadbolt	2000 - 2200	2000	286	330	891	935	4	10
400186	35/92 Latch	2000 - 2200	2000	286	330	891	935	4	10



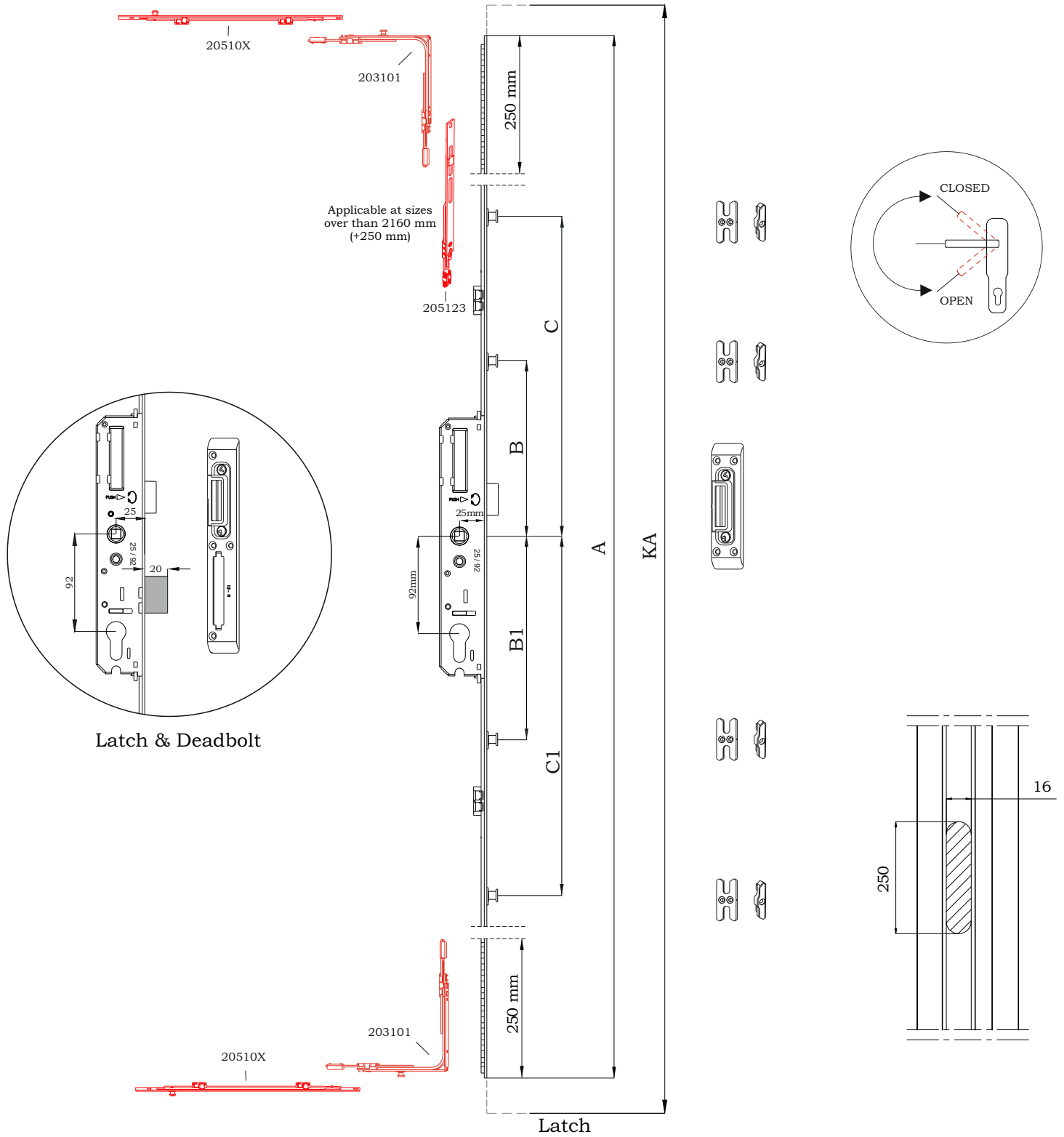
Latch & Deadbolt



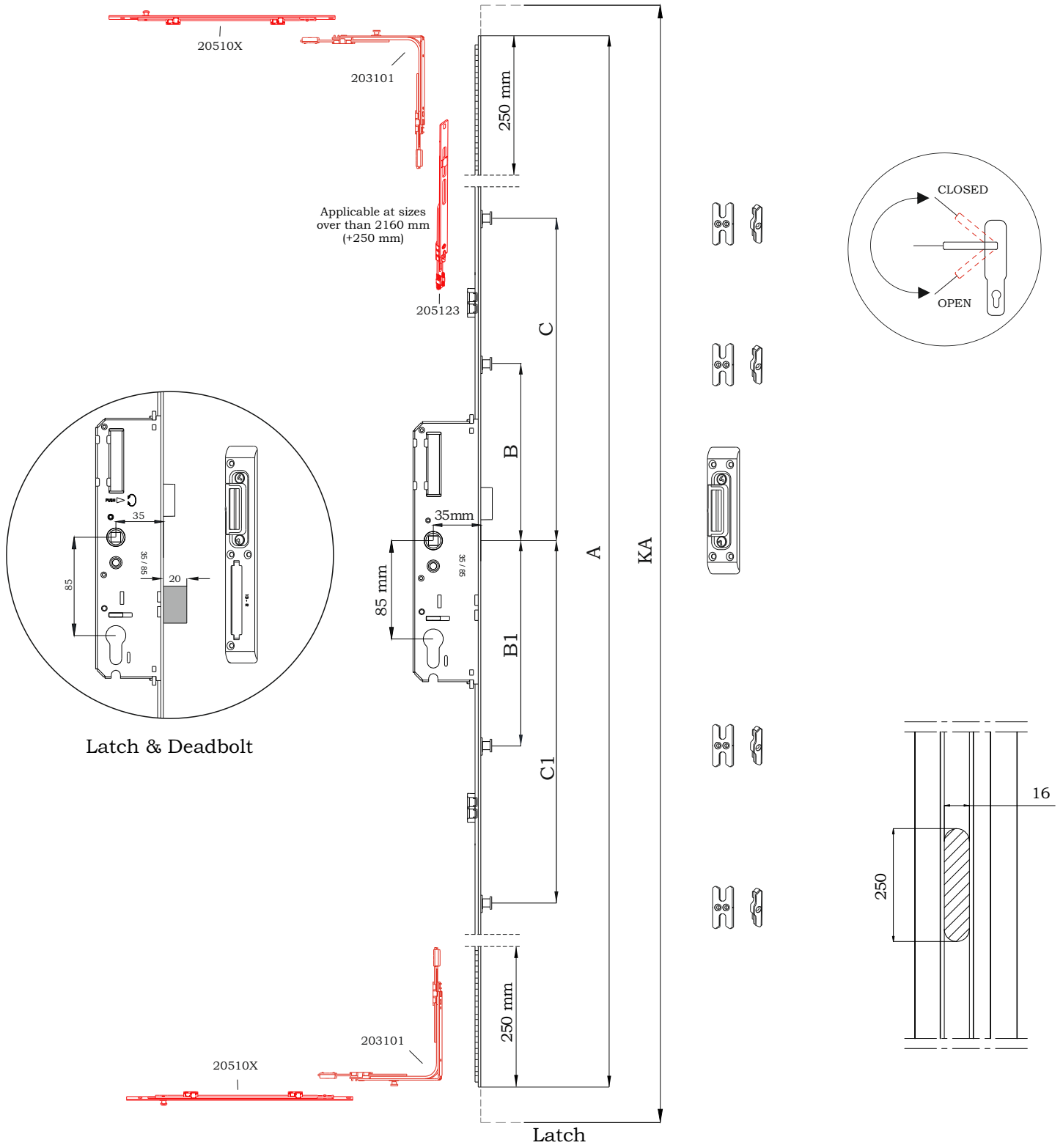
Code	Description	KA (MM)	A (MM)	B (MM)	B1 (MM)	C (MM)	C1 (MM)		
400187	35/92 SR Latch & Deadbolt	1600 - 2200	2200	218	262	691	735	4	10
400188	35/92 Latch	1600 - 2200	2200	218	262	691	735	4	10



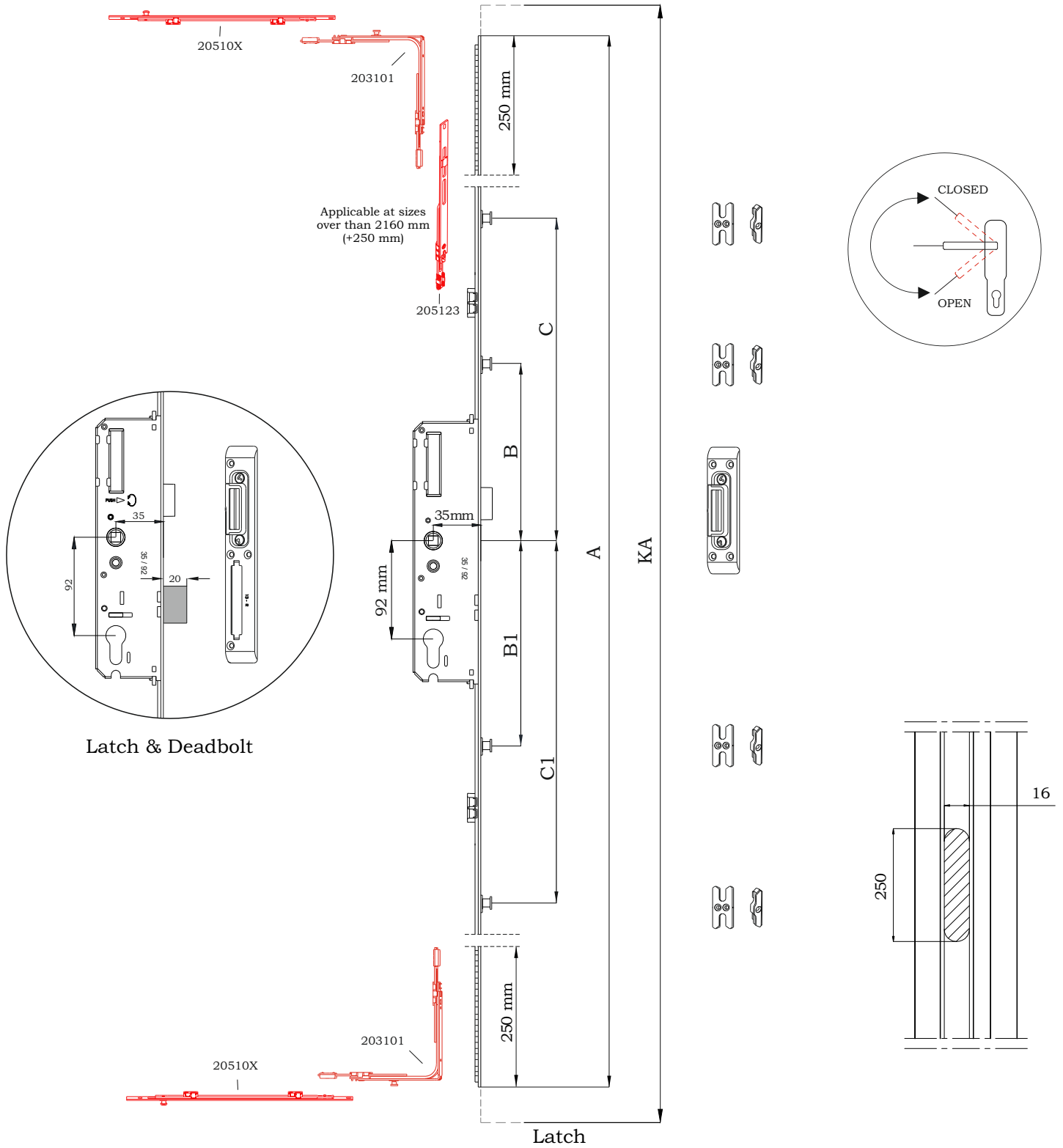
Code	Description	KA (MM)	A (MM)	B (MM)	B1 (MM)	C (MM)	C1 (MM)		
400109	25/85 SR Latch & Deadbolt	1660 - 2160	1900	203	201	559	559	4	10
400110	25/85 Latch	1660 - 2160	1900	203	201	559	559	4	10



Code	Description	KA (MM)	A (MM)	B (MM)	B1 (MM)	C (MM)	C1 (MM)		
400169	25/92 SRLatch & Deadbolt	1660 - 2160	1900	203	201	559	559	4	10
400170	25/92 Latch	1660 - 2160	1900	203	201	559	559	4	10



Code	Description	KA (MM)	A (MM)	B (MM)	B1 (MM)	C (MM)	C1 (MM)		
400129	35/85 SR Latch & Deadbolt	1660 - 2160	1900	203	201	559	559	4	10
400130	35/85 Latch	1660 - 2160	1900	203	201	559	559	4	10

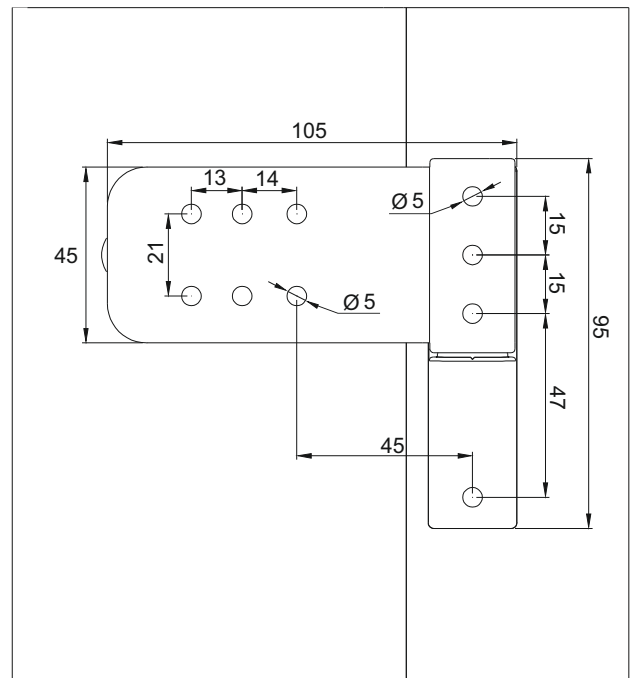
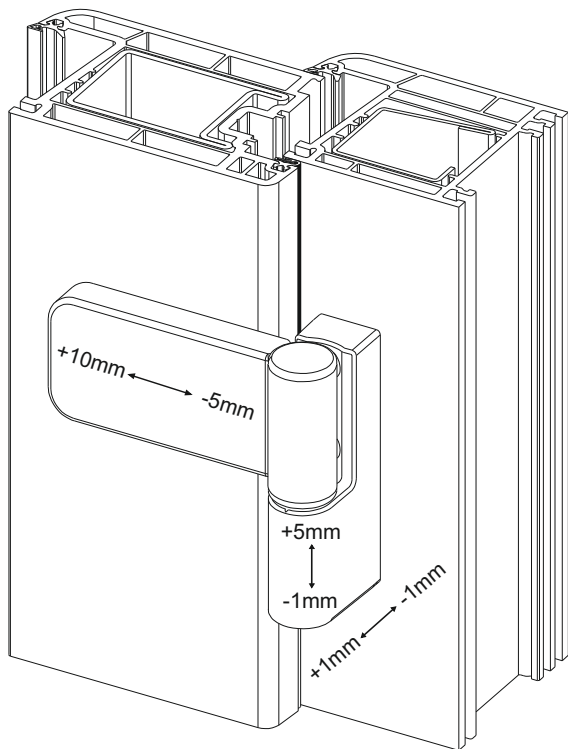


Code	Description	KA (MM)	A (MM)	B (MM)	B1 (MM)	C (MM)	C1 (MM)		
400189	35/92 SR Latch & Deadbolt	1660 - 2160	1900	203	201	559	559	4	10
400190	35/92 Latch	1660 - 2160	1900	203	201	559	559	4	10

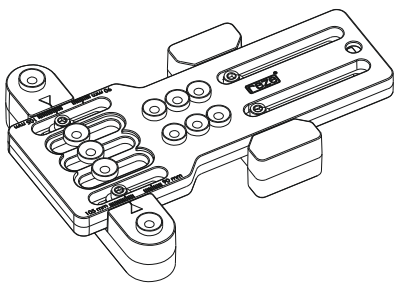


■ Adjustable 3D Door Hinges

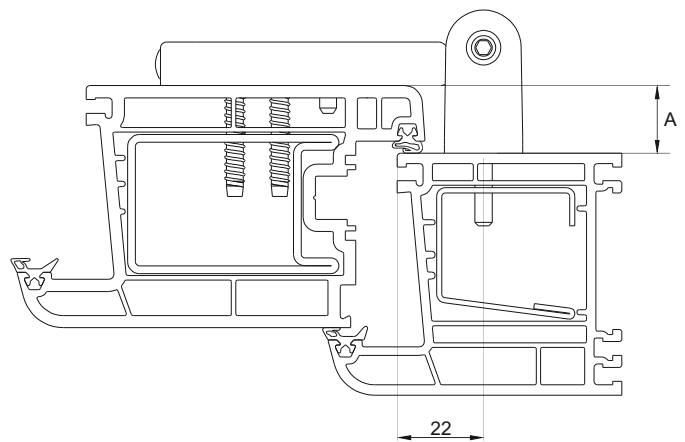




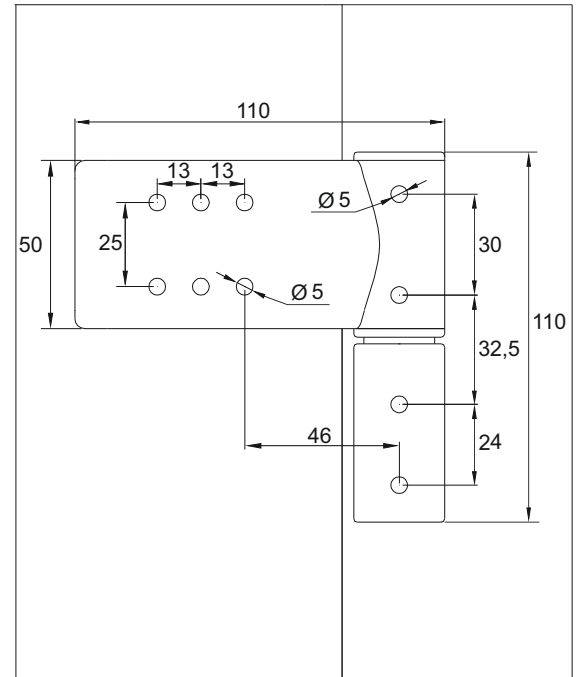
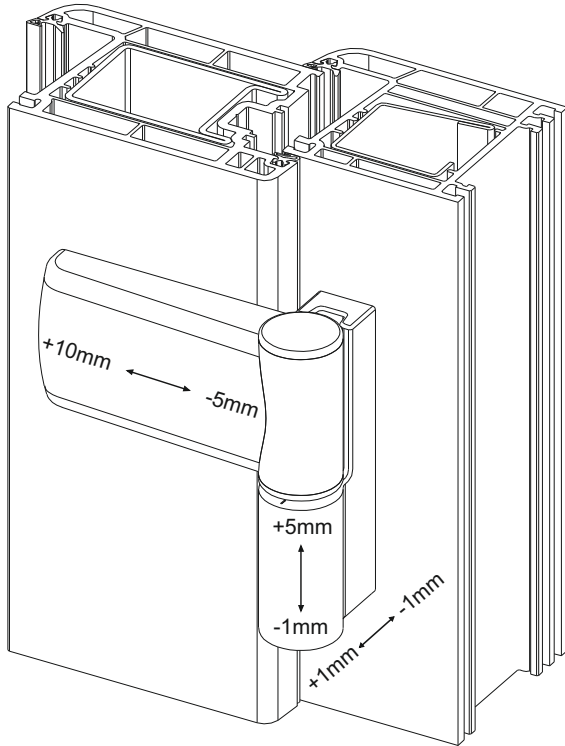
Product code 100220



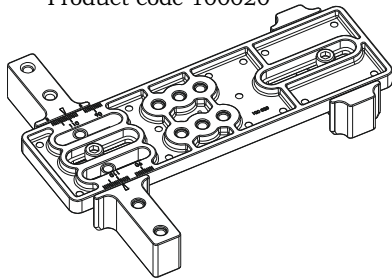
(BABYLON-ALEON hinge jig; hole diameter 5 mm )



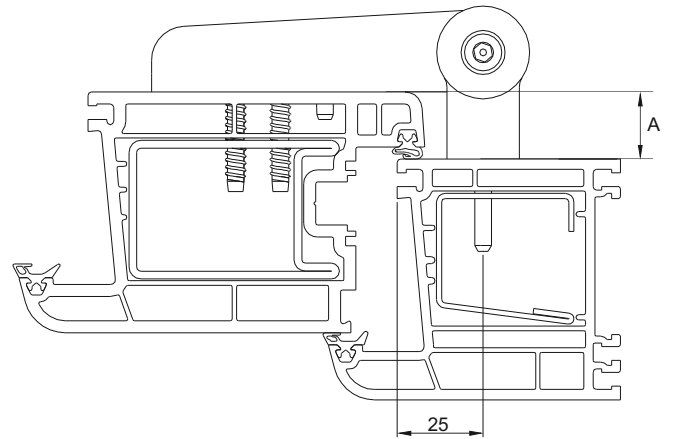
Code	Description	A (MM)	kg	RAL	
100201	BABYLON 105 mm	14 mm - 18 mm	120	RAL 9016	24
100202	BABYLON 105 mm	14 mm - 18 mm	120	RAL 8003	24
100203	BABYLON 105 mm	14 mm - 18 mm	120	RAL 8017	24
100204	BABYLON 105 mm	14 mm - 18 mm	120	RAL 8022	24
100205	BABYLON 105 mm	14 mm - 18 mm	120	RAL 8019	24
100211	BABYLON 105 mm	18 mm - 22 mm	120	RAL 9016	24
100212	BABYLON 105 mm	18 mm - 22 mm	120	RAL 8003	24
100213	BABYLON 105 mm	18 mm - 22 mm	120	RAL 8017	24
100214	BABYLON 105 mm	18 mm - 22 mm	120	RAL 8022	24
100215	BABYLON 105 mm	18 mm - 22 mm	120	RAL 8019	24



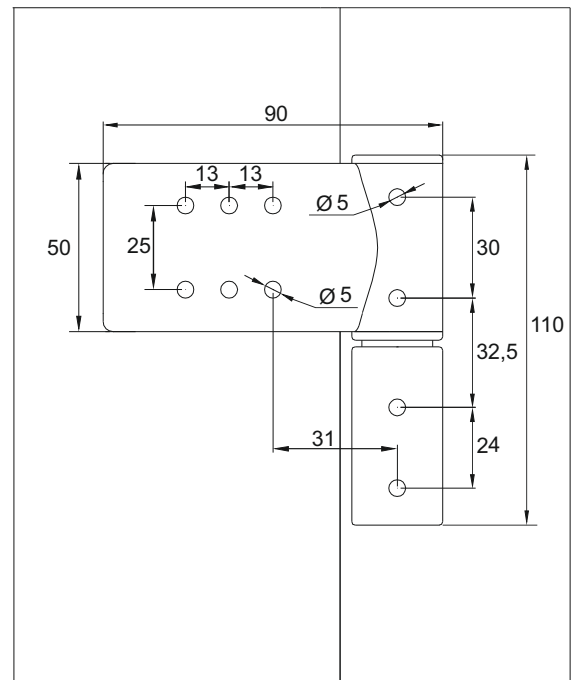
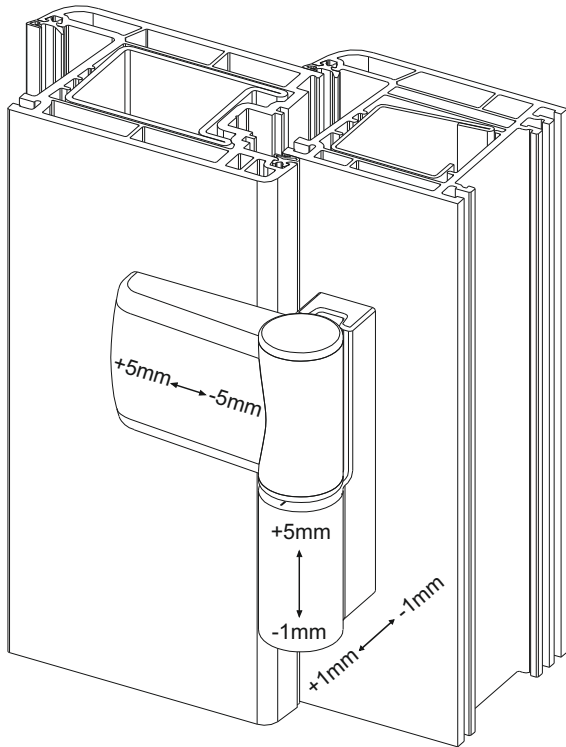
Product code 100020



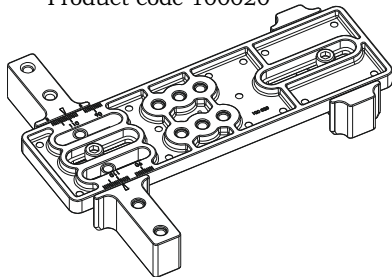
(ALPHA-AVALON hinge jig; hole diameter 5 mm )



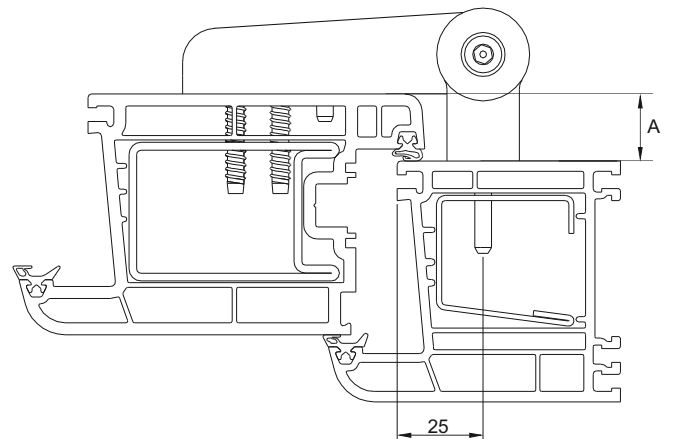
Code	Description	A (mm)	kg	RAL	
100001	ALPHA 110 mm	14 mm - 18 mm	120	RAL 9016	24
100019	ALPHA 110 mm	14 mm - 18 mm	120	RAL 8003	24
100021	ALPHA 110 mm	14 mm - 18 mm	120	RAL 8017	24
100002	ALPHA 110 mm	14 mm - 18 mm	120	RAL 8022	24
100032	ALPHA 110 mm	14 mm - 18 mm	120	RAL 8019	24
100004	ALPHA 110 mm	18 mm - 22 mm	120	RAL 9016	24
100022	ALPHA 110 mm	18 mm - 22 mm	120	RAL 8003	24
100023	ALPHA 110 mm	18 mm - 22 mm	120	RAL 8017	24
100005	ALPHA 110 mm	18 mm - 22 mm	120	RAL 8022	24
100033	ALPHA 110 mm	18 mm - 22 mm	120	RAL 8019	24
100007	ALPHA 110 mm	22 mm - 26 mm	120	RAL 9016	24
100024	ALPHA 110 mm	22 mm - 26 mm	120	RAL 8003	24
100025	ALPHA 110 mm	22 mm - 26 mm	120	RAL 8017	24
100008	ALPHA 110 mm	22 mm - 26 mm	120	RAL 8022	24
100034	ALPHA 110 mm	22 mm - 26 mm	120	RAL 8019	24



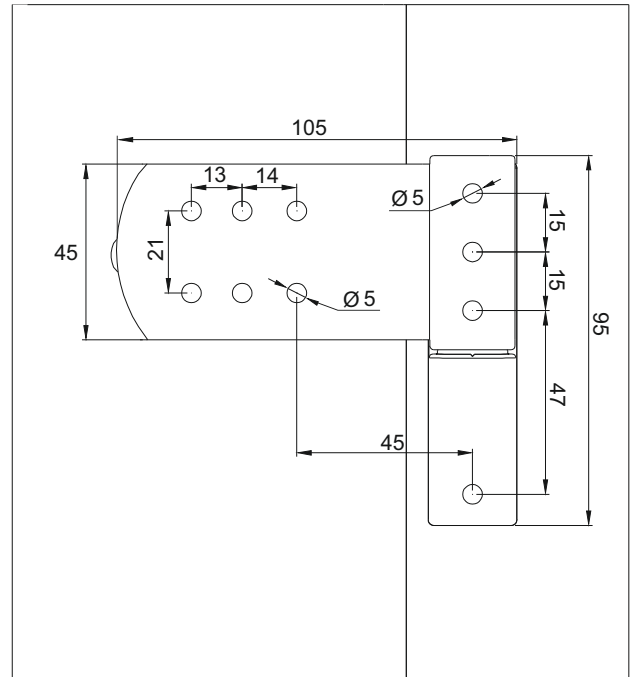
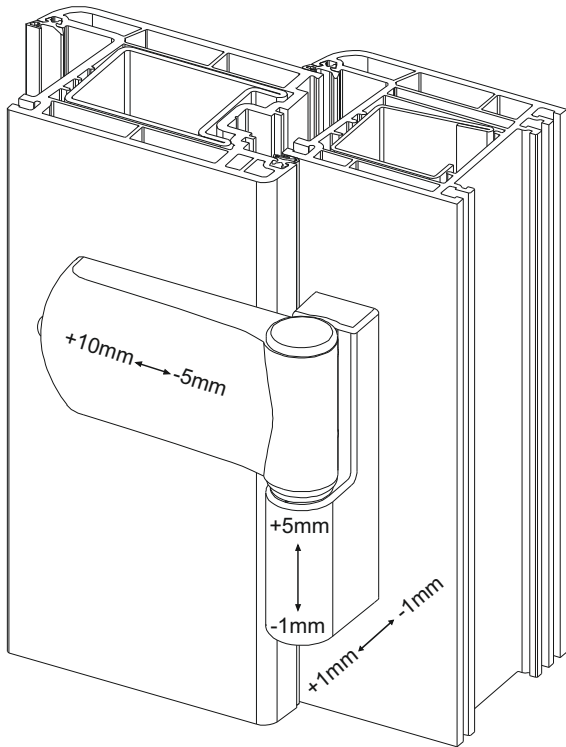
Product code 100020



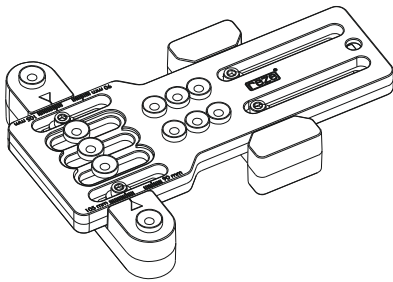
(ALPHA-AVALON hinge jig; hole diameter 5 mm )



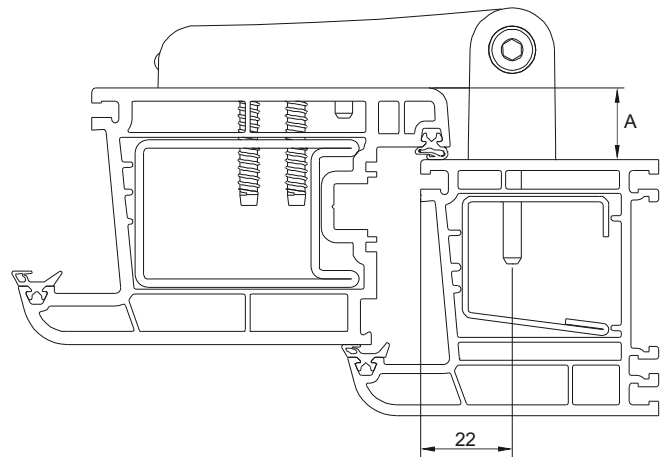
Code	Description	A (mm)	kg	RAL	
100010	ALPHA 90 mm	14 mm - 18 mm	80	RAL 9016	24
100026	ALPHA 90 mm	14 mm - 18 mm	80	RAL 8003	24
100027	ALPHA 90 mm	14 mm - 18 mm	80	RAL 8017	24
100011	ALPHA 90 mm	14 mm - 18 mm	80	RAL 8022	24
100035	ALPHA 90 mm	14 mm - 18 mm	80	RAL 8019	24
100013	ALPHA 90 mm	18 mm - 22 mm	80	RAL 9016	24
100028	ALPHA 90 mm	18 mm - 22 mm	80	RAL 8003	24
100029	ALPHA 90 mm	18 mm - 22 mm	80	RAL 8017	24
100014	ALPHA 90 mm	18 mm - 22 mm	80	RAL 8022	24
100036	ALPHA 90 mm	18 mm - 22 mm	80	RAL 8019	24
100016	ALPHA 90 mm	22 mm - 26 mm	80	RAL 9016	24
100030	ALPHA 90 mm	22 mm - 26 mm	80	RAL 8003	24
100031	ALPHA 90 mm	22 mm - 26 mm	80	RAL 8017	24
100017	ALPHA 90 mm	22 mm - 26 mm	80	RAL 8022	24
100037	ALPHA 90 mm	22 mm - 26 mm	80	RAL 8019	24



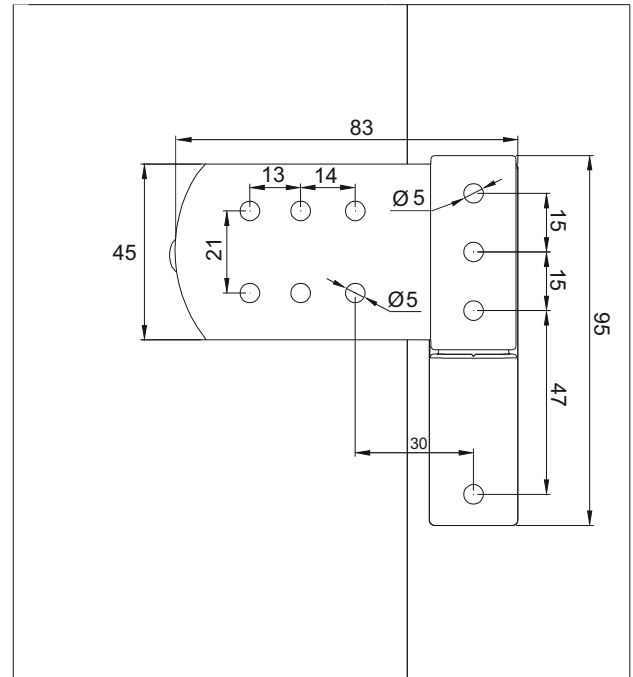
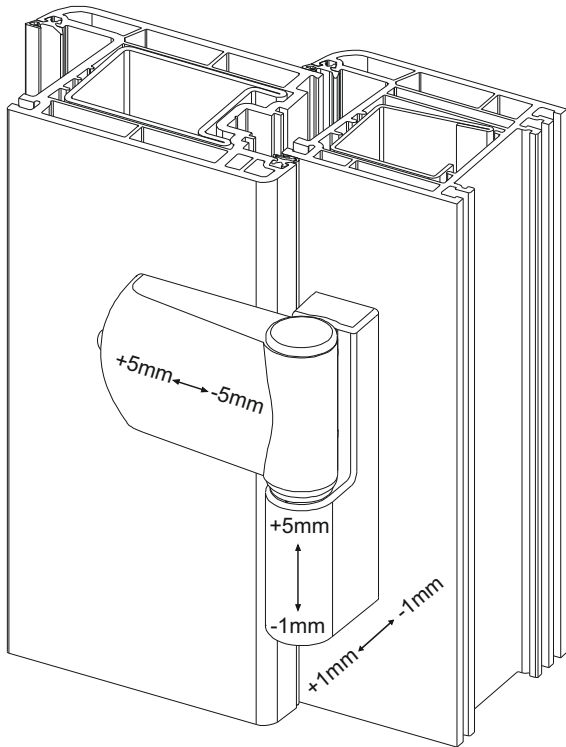
Product code 100220



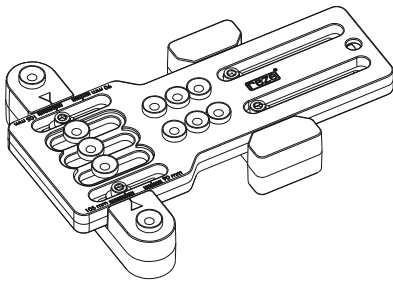
(BABYLON-ALEON hinge jig; hole diameter 5 mm )



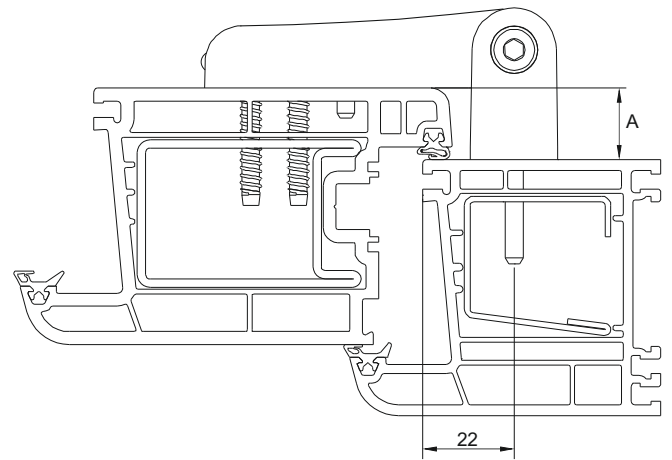
Code	Description	A (MM)	kg	RAL	
100301	ALEON 105 mm	14 mm - 18 mm	120	RAL 9016	24
100302	ALEON 105 mm	14 mm - 18 mm	120	RAL 8003	24
100303	ALEON 105 mm	14 mm - 18 mm	120	RAL 8017	24
100304	ALEON 105 mm	14 mm - 18 mm	120	RAL 8022	24
100305	ALEON 105 mm	14 mm - 18 mm	120	RAL 8019	24
100311	ALEON 105 mm	18 mm - 22 mm	120	RAL 9016	24
100312	ALEON 105 mm	18 mm - 22 mm	120	RAL 8003	24
100313	ALEON 105 mm	18 mm - 22 mm	120	RAL 8017	24
100314	ALEON 105 mm	18 mm - 22 mm	120	RAL 8022	24
100315	ALEON 105 mm	18 mm - 22 mm	120	RAL 8019	24



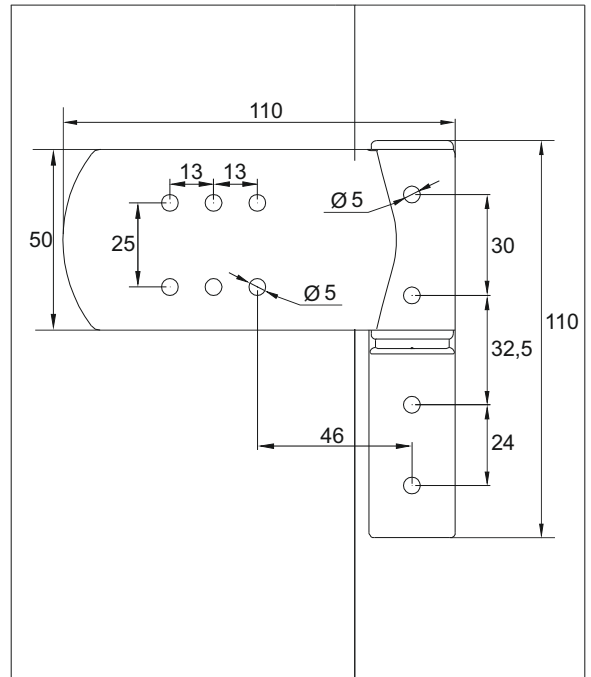
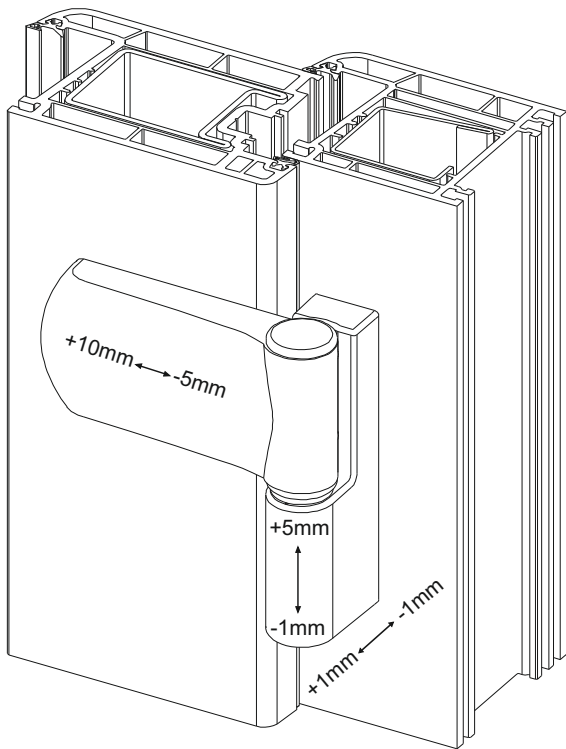
Product code 100220



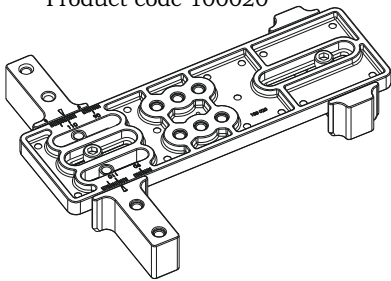
(BABYLON-ALEON hinge jig; hole diameter 5 mm )



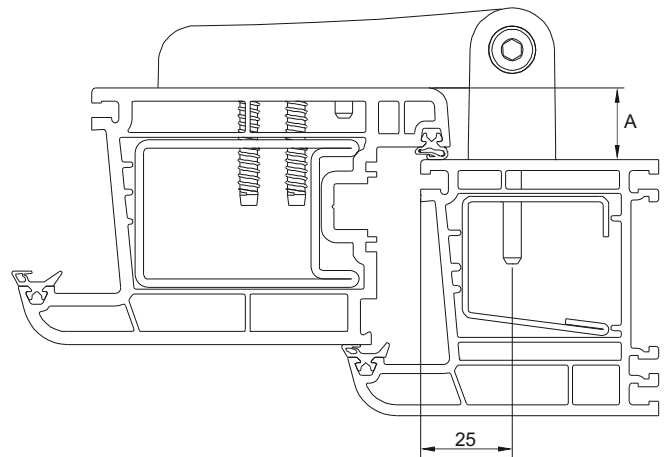
Code	Description	A (MM)	kg	RAL	
100321	ALEON 83 mm	14 mm - 18 mm	80	RAL 9016	24
100322	ALEON 83 mm	14 mm - 18 mm	80	RAL 8003	24
100323	ALEON 83 mm	14 mm - 18 mm	80	RAL 8017	24
100324	ALEON 83 mm	14 mm - 18 mm	80	RAL 8022	24
100325	ALEON 83 mm	14 mm - 18 mm	80	RAL 8019	24
100331	ALEON 83 mm	18 mm - 22 mm	80	RAL 9016	24
100332	ALEON 83 mm	18 mm - 22 mm	80	RAL 8003	24
100333	ALEON 83 mm	18 mm - 22 mm	80	RAL 8017	24
100334	ALEON 83 mm	18 mm - 22 mm	80	RAL 8022	24
100335	ALEON 83 mm	18 mm - 22 mm	80	RAL 8019	24



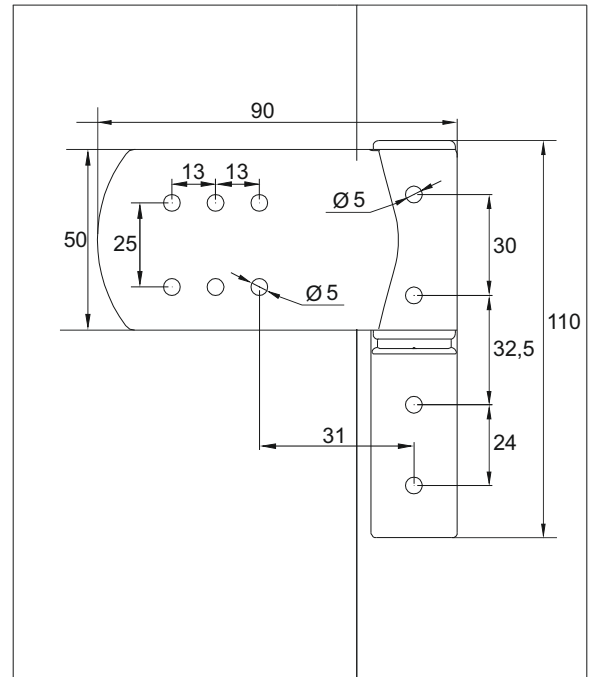
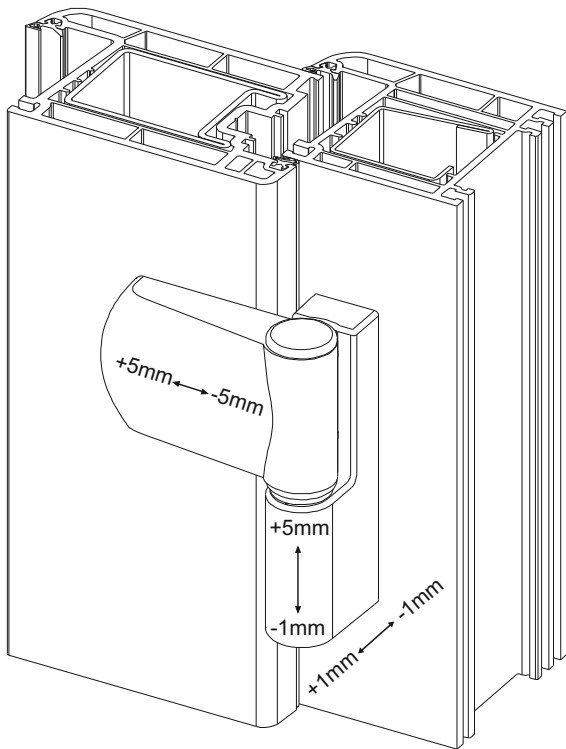
Product code 100020



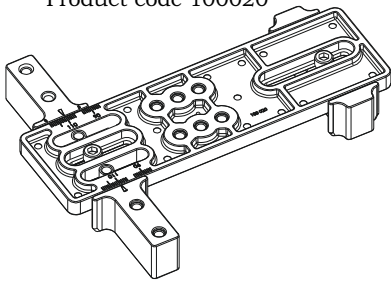
(ALPHA-AVALON hinge jig; hole diameter 5 mm)



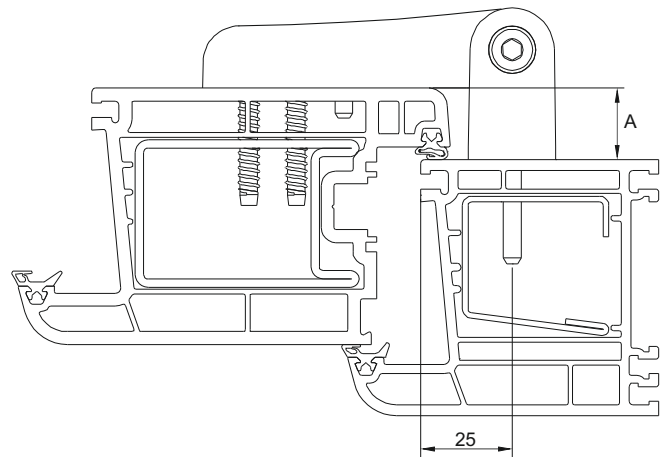
Code	Description	A (MM)	kg	RAL	
100101	AVALON 110 mm	14 mm - 18 mm	130	RAL 9016	24
100102	AVALON 110 mm	14 mm - 18 mm	130	RAL 8003	24
100103	AVALON 110 mm	14 mm - 18 mm	130	RAL 8017	24
100104	AVALON 110 mm	14 mm - 18 mm	130	RAL 8022	24
100105	AVALON 110 mm	14 mm - 18 mm	130	RAL 8019	24
100106	AVALON 110 mm	18 mm - 22 mm	130	RAL 9016	24
100107	AVALON 110 mm	18 mm - 22 mm	130	RAL 8003	24
100108	AVALON 110 mm	18 mm - 22 mm	130	RAL 8017	24
100109	AVALON 110 mm	18 mm - 22 mm	130	RAL 8022	24
100110	AVALON 110 mm	18 mm - 22 mm	130	RAL 8019	24



Product code 100020



(ALPHA-AVALON hinge jig; hole diameter 5 mm)



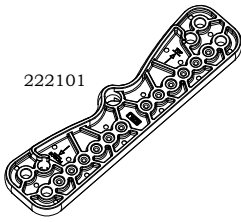
Code	Description	A (MM)	kg	RAL	
100111	AVALON 90 mm	14 mm - 18 mm	90	RAL 9016	24
100112	AVALON 90 mm	14 mm - 18 mm	90	RAL 8003	24
100113	AVALON 90 mm	14 mm - 18 mm	90	RAL 8017	24
100114	AVALON 90 mm	14 mm - 18 mm	90	RAL 8022	24
100115	AVALON 90 mm	14 mm - 18 mm	90	RAL 8019	24
100116	AVALON 90 mm	18 mm - 22 mm	90	RAL 9016	24
100117	AVALON 90 mm	18 mm - 22 mm	90	RAL 8003	24
100118	AVALON 90 mm	18 mm - 22 mm	90	RAL 8017	24
100119	AVALON 90 mm	18 mm - 22 mm	90	RAL 8022	24
100120	AVALON 90 mm	18 mm - 22 mm	90	RAL 8019	24



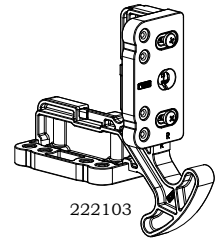
■ Equipment



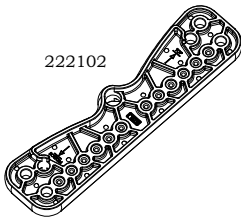
## Tilt & Turn/Turn only Frame and Sash Jig 3 mm



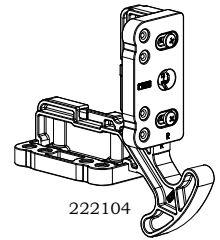
Code	Application	
222105	Jig set for Frame and Sash hinges 2 pcs (3 mm)	10
222101	Axe 9/13 mm; Right/Left; hole diameter 3 mm	
222103	Axe 9/13 mm; Right/Left; hole diameter 3 mm	



## Tilt & Turn/Turn only Frame and Sash Jig 6 mm

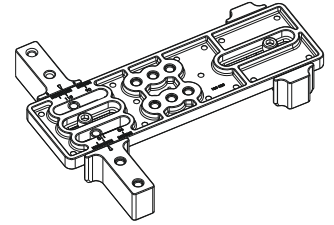


Code	Application	
222106	Jig set for Frame and Sash hinges 2 pcs (6 mm)	10
222102	Axe 9/13 mm; Right/Left; hole diameter 6 mm	
222104	Axe 9/13 mm; Right/Left; hole diameter 6 mm	



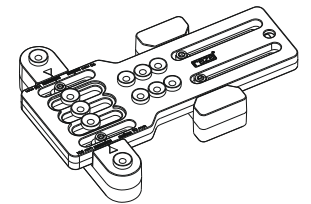
## Alpha-Avalon Adjustable 3D Door Hinge Jig

Code	Application	
100020	Hole diameter 5 mm	10



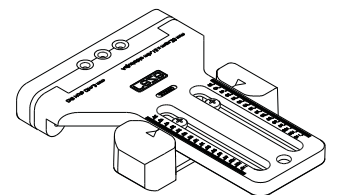
## Babylon-Aleon Adjustable 3D Door Hinge Jig

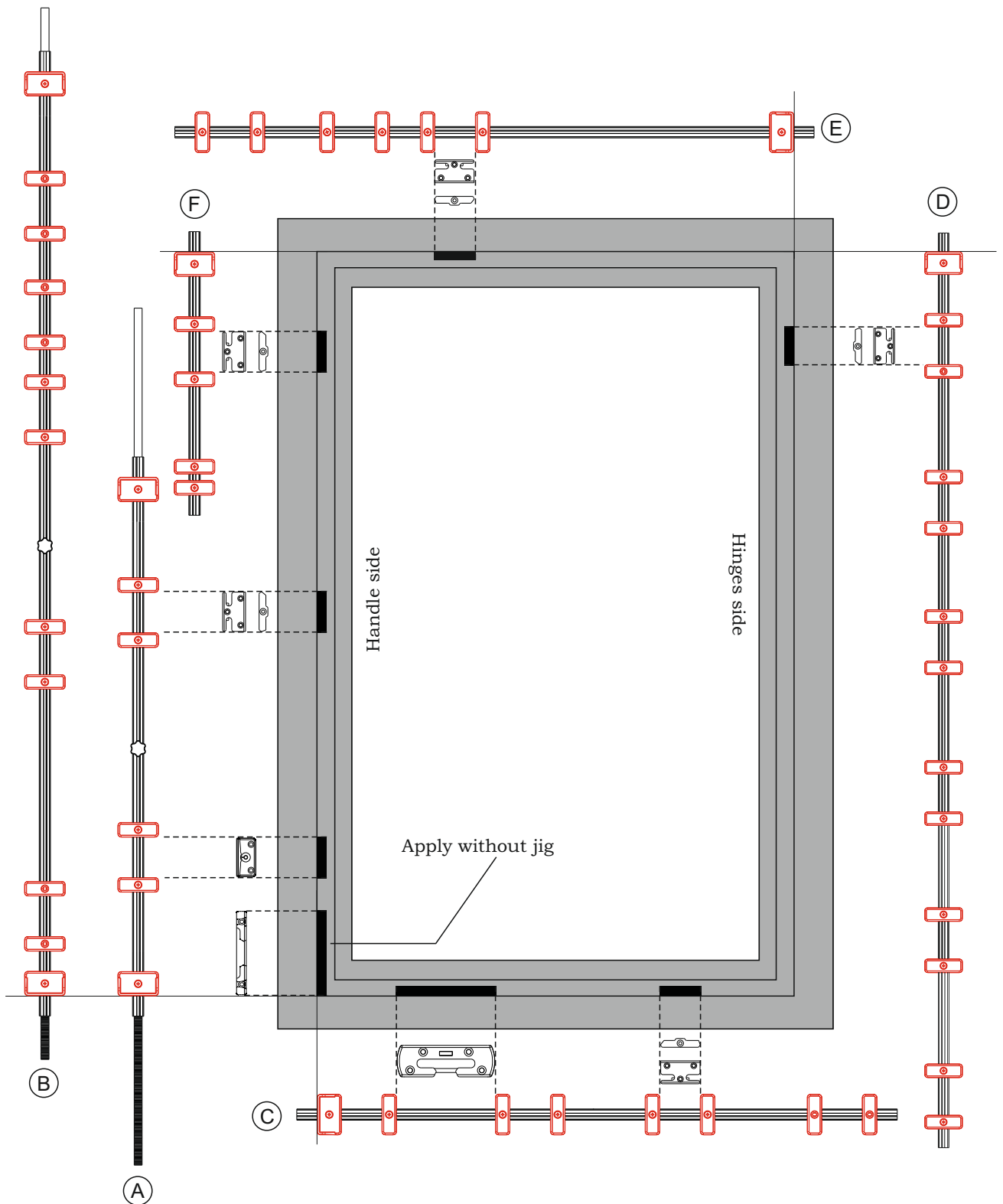
Code	Application	
100220	Hole diameter 5 mm	10



## Art Hinge Jig

Code	Application	
300020	Hole diameter 3 mm	10

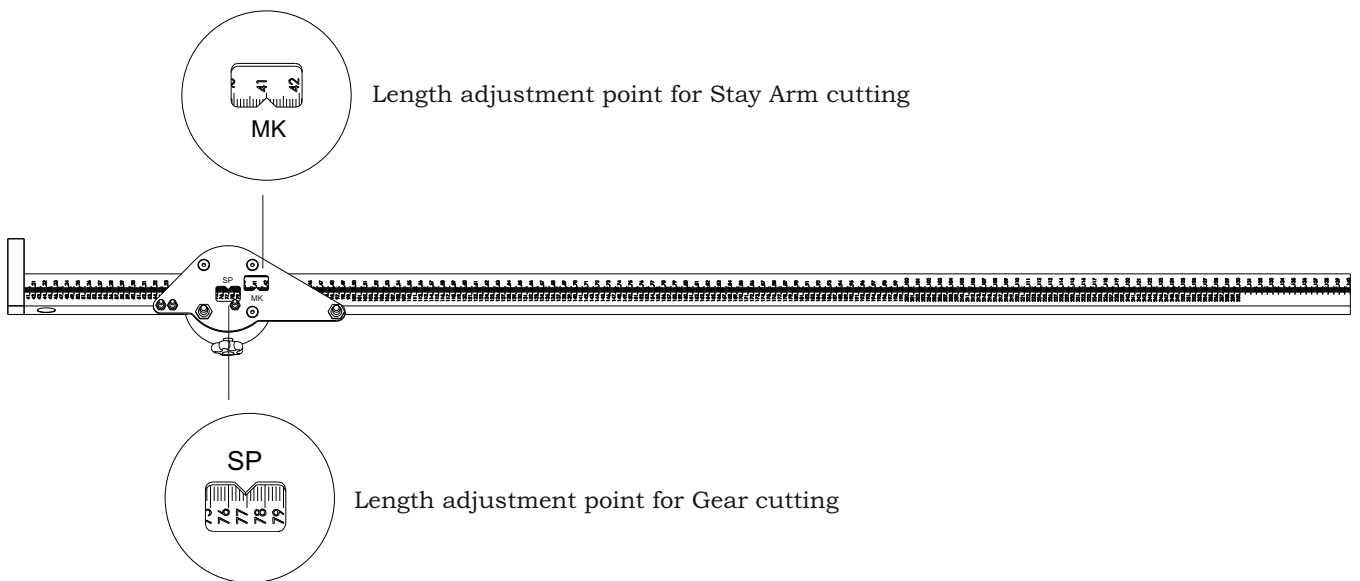
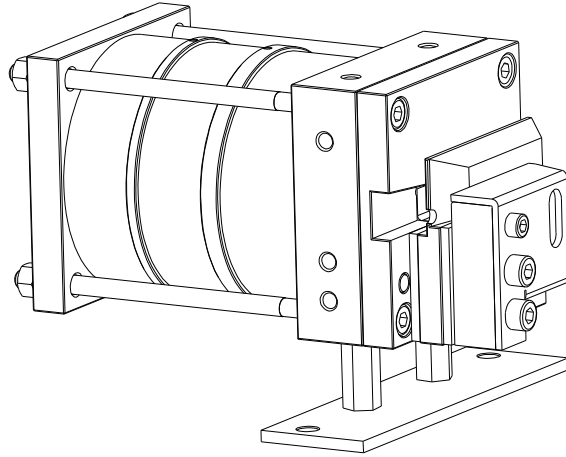




Code	Description	
------	-------------	--

222130	Striker Jig Set (6 ad)	10
A - 222120	Striker Jig - Gears 661 mm - 1400 mm	
B - 222121	Striker Jig - Gears 1161 mm - 2400 mm	
C - 222122	Striker Jig - Locks 800 mm - 1400 mm (Horizontal)	
D - 222123	Striker Jig - Locks 800 mm - 2160 mm (Vertical)	
E - 222124	Striker Jig - Stay Arms 651 mm - 1400 mm	
F - 222125	Striker Jig - Corner Transmissions (Horizontal & Vertical)	

Product code 230103



**Components:**

- 1) Pneumatic piston with a cutting nozzle.
- 2) Ruler
- 3) Pneumatic pedal
- 4) Hose set
- 5) Installation instructions

Note: Required air pressure - 6 Bar.