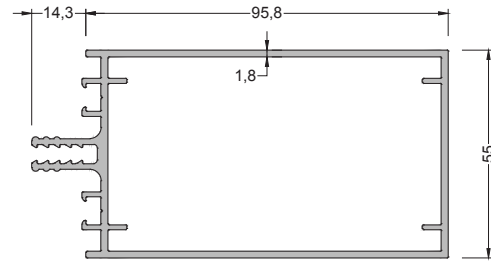
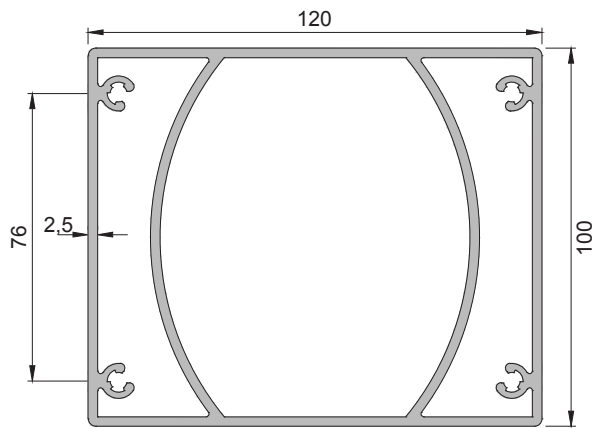


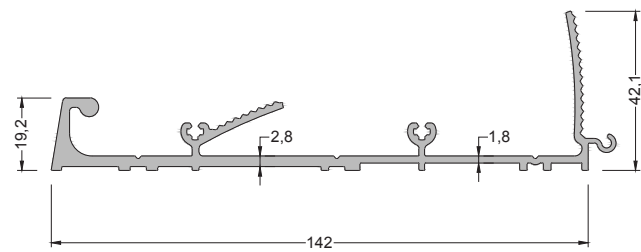
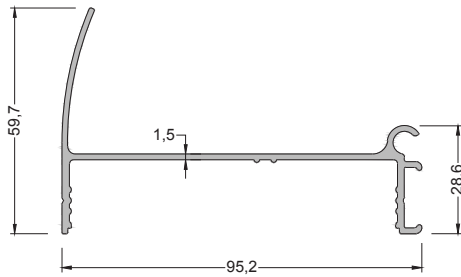
VRA 160

VERANDA SYSTEM



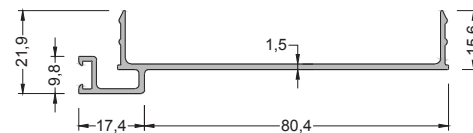
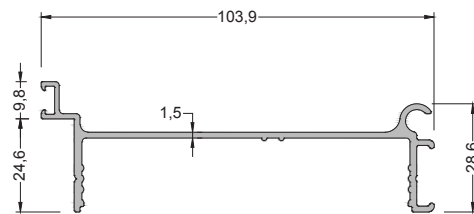
560-2101 (4,720 kg/mt)
MULLION PROFILE

560-1101 (1,794 kg/mt)
MULLION PROFILE



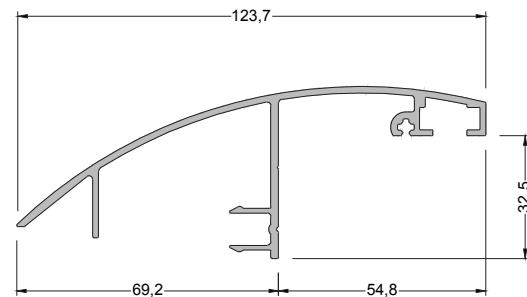
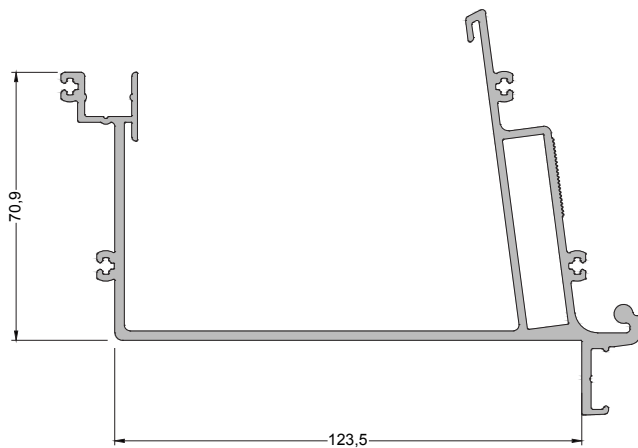
560-6105 (0,852 kg/mt)
ADAPTER PROFILE

560-6201 (1,722 kg/mt)
ADAPTER PROFILE



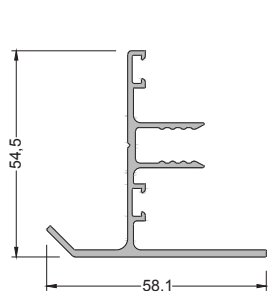
560-6104 (0,785 kg/mt)
ADAPTER PROFILE

560-6106 (0,579 kg/mt)
ADAPTER PROFILE

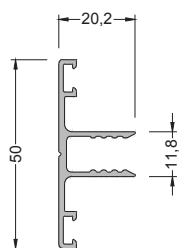


560-6001 (2,945 kg/mt)
RAIN GUTTER PROFILE

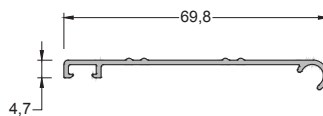
560-6003 (1,177 kg/mt)
RAIN GUTTER ADAPTER



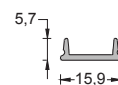
560-6102 (0,701 kg/mt)
FINISH CAP PROFILE



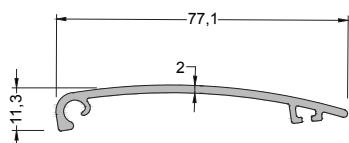
560-6101 (0,394 kg/mt)
CAP PROFILE



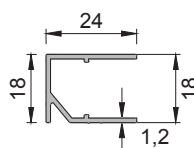
560-6103 (0,288 kg/mt)
CAP PROFILE



580-6107 (0,085 kg/mt)
CAP PROFILE



560-5102(0.528 kg/mt)
CAP PROFILE



560-5101(0.223 kg/mt)
POLYCARBON PROFILE

DRIVING	CODE	NAME
	3202130	GALZING GASGET
	3202137	WALL FINISH GASGET
	32*****	LED CAP
	7523901	POLYCARBON BAND
	7523902	POLYCARBON BAND
	1609706	RAIN GUTTER CAP
	1609707	WALL FINISH CAP
	1609709	RAIN GUTTER ADAPTER
	8003601	FILTER

DRIVING	CODE	NAME
	9524301	ANKREAJ
	7605502	SILICONE
	7903001	LED CAP
	1609705	RAIN GUTTER FINISH CAP
	SLM-3491	LAMA 50x5 mm
	SD-4232	PVC BOX 80x50x3 mm
	8003602	PVC PIPE Ø70 mm
	8003603	90° PVC TURN Ø70 mm

VRA 160

VERANDA SYSTEM



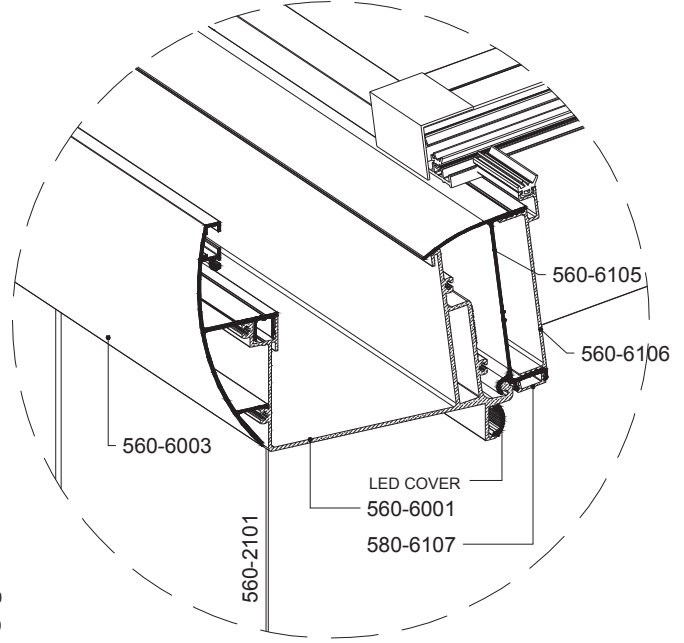
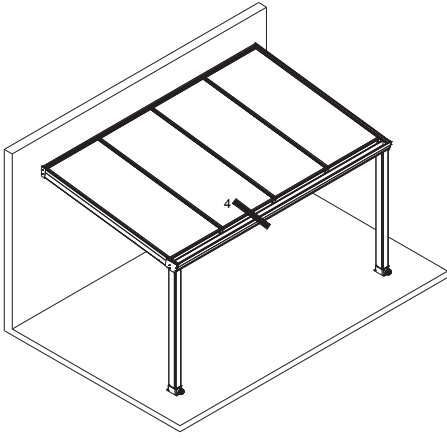
ACCURACY



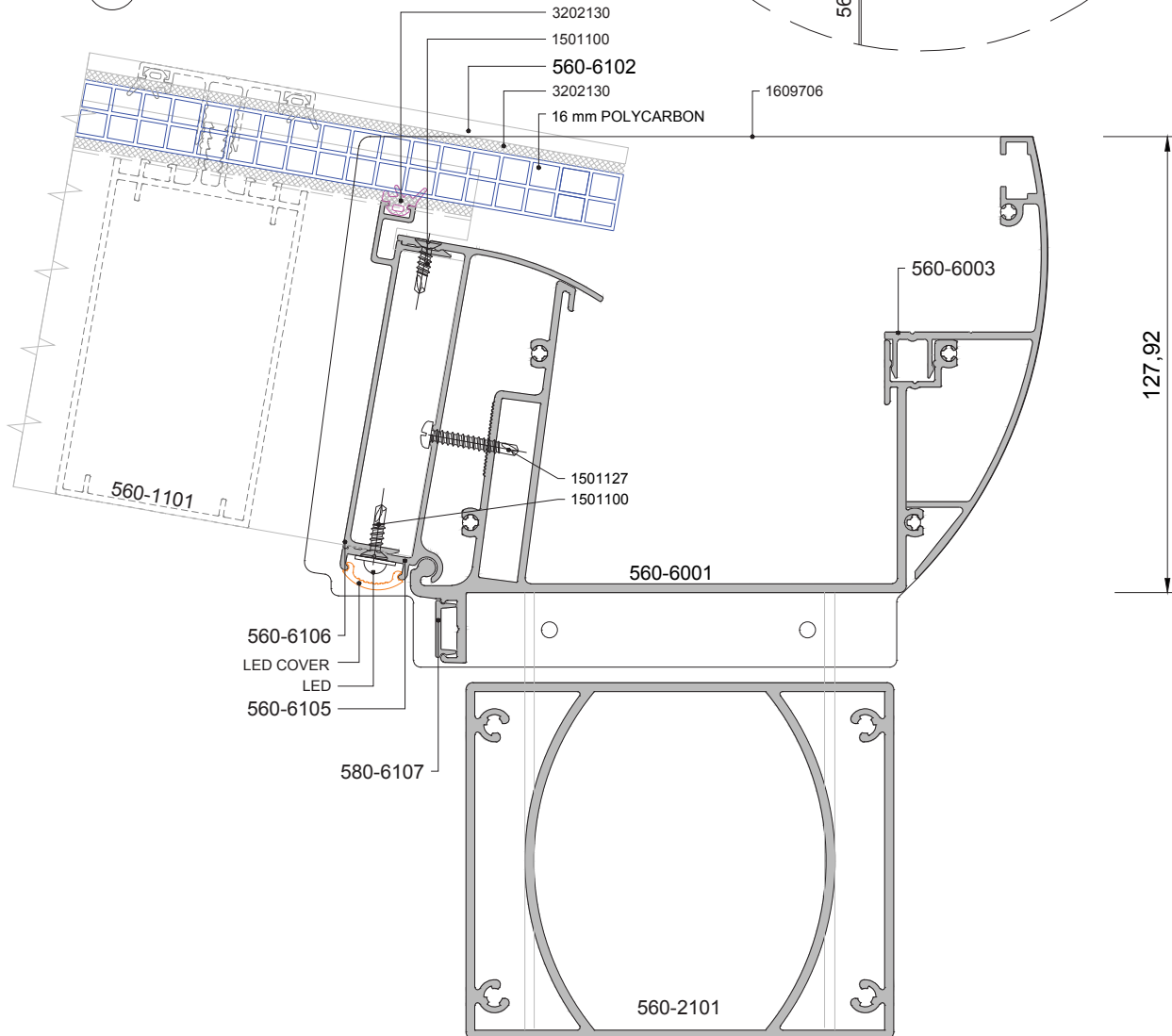
HARMONY



BALANCE



D4



ÖLÇÜ: 1/2

VRA 160

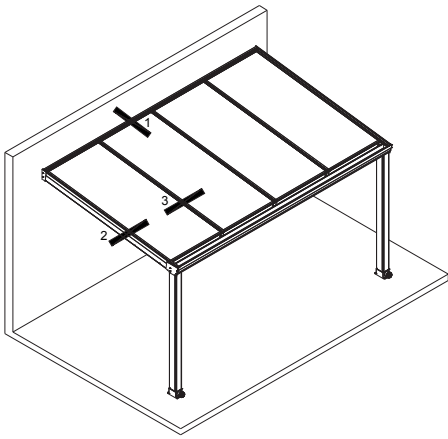
VERANDA SYSTEM



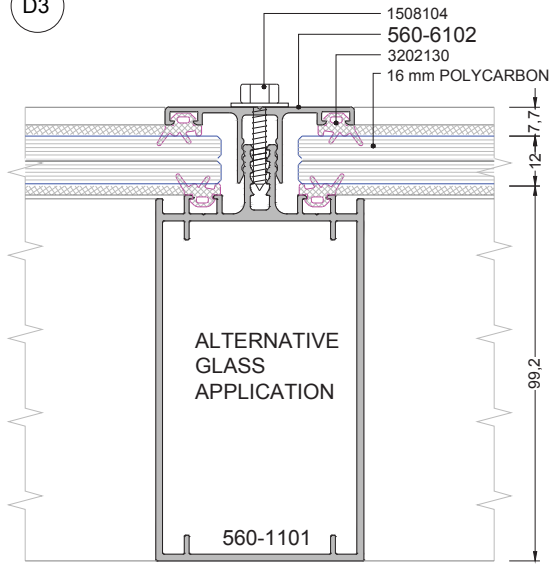
ACCURACY

HARMONY

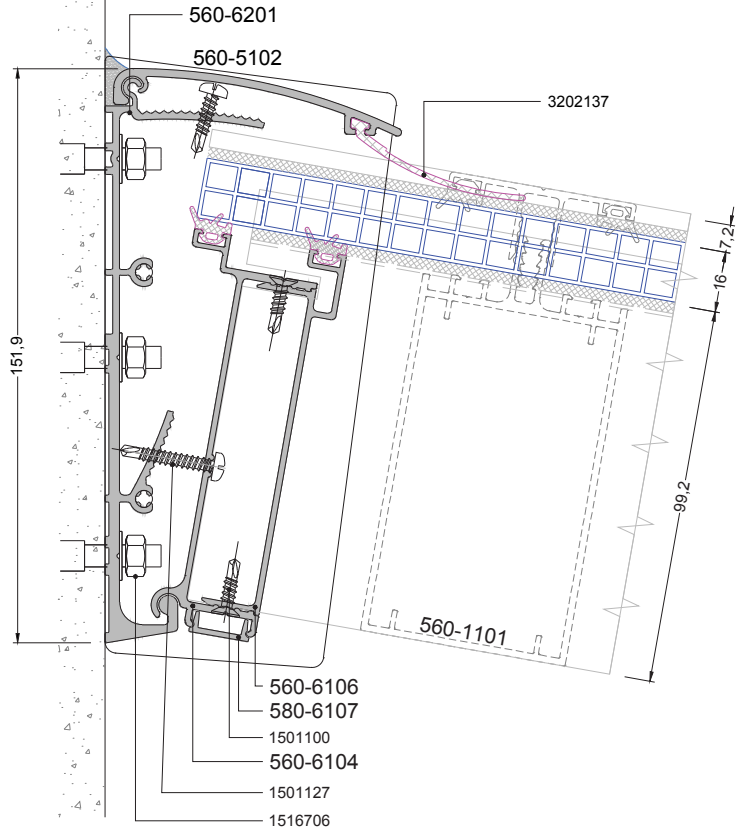
BALANCE



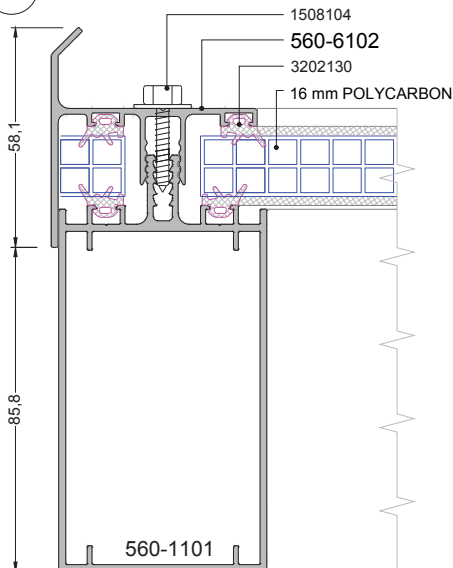
D3



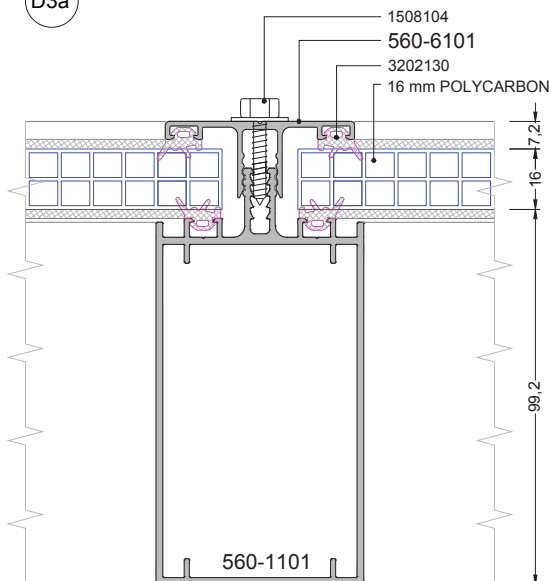
D1



D2



D3a



ÖLÇÜ: 1/2