

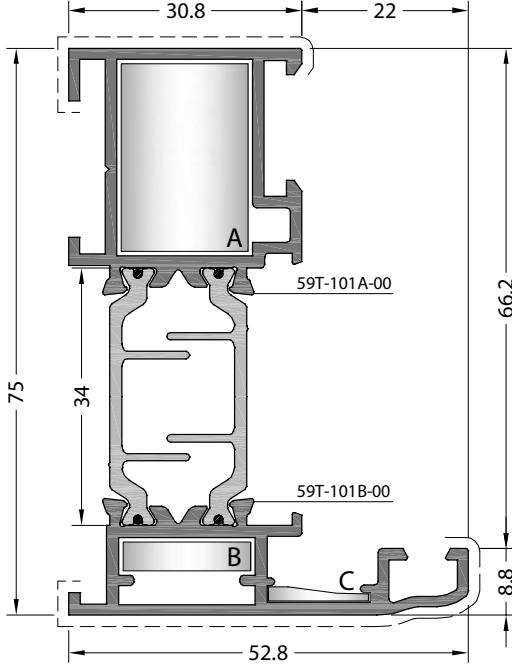


75T SYSTEM

75T SÌSTEM

profiles / profiler





CODE / KOD

75T-101-00

THEORETICAL WEIGHT kg/m

TEORİK AĞIRLIK kg/m

1.414

**CUTTED
CORNER JOINT**

KESİLMİŞ KÖŞE BAĞLANTI



A CC-122-25.5



* A CC-154-25.5



B CC-122-04.5



C LC-122

**DIE-CAST
CORNER JOINT**

PİMLİ BAĞLANTI



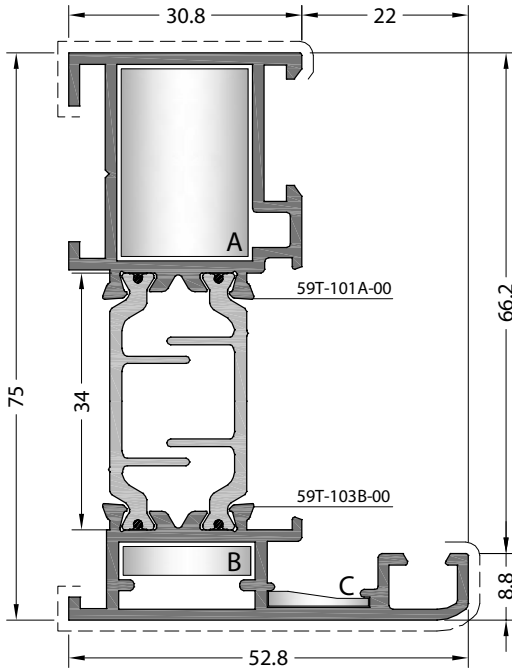
A LC-1826

**DIE-CAST ANGULAR
CORNER JOINT**

AÇILI PİMLİ BAĞLANTI



A LC-1828



CODE / KOD

75T-103-00

THEORETICAL WEIGHT kg/m

TEORİK AĞIRLIK kg/m

1.418

**CUTTED
CORNER JOINT**

KESİLMİŞ KÖŞE BAĞLANTI



A CC-122-25.5



* A CC-154-25.5



B CC-122-04.5



C LC-122

**DIE-CAST
CORNER JOINT**

PİMLİ BAĞLANTI



A LC-1826

**DIE-CAST ANGULAR
CORNER JOINT**

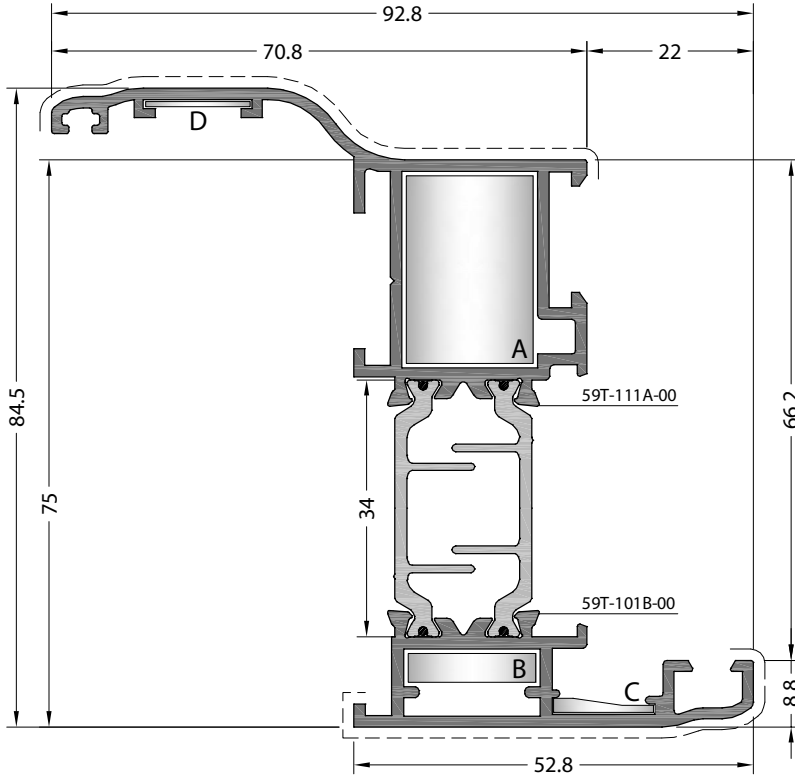
AÇILI PİMLİ BAĞLANTI



A LC-1828

* Use this extruded corner joint with PERIMETRIC accessories. (Aubi A300 & GU Uni jet D)

PERIMETRİK aksesuar kullanımında bu köşe takozunu kullanınız. (Aubi A300 & GU Uni jet D)



CODE / KOD

75T-111-00

THEORETICAL WEIGHT kg/m

TEORİK AĞIRLIK kg/m

1.660

**CUTTED
CORNER JOINT**

KESİLMİŞ KÖŞE BAĞLANTI



A CC-122-25.5

*



A CC-154-25.5



B CC-122-04.5



C LC-122



D MK-20.1

**DIE-CAST
CORNER JOINT**

PİMLİ BAĞLANTI



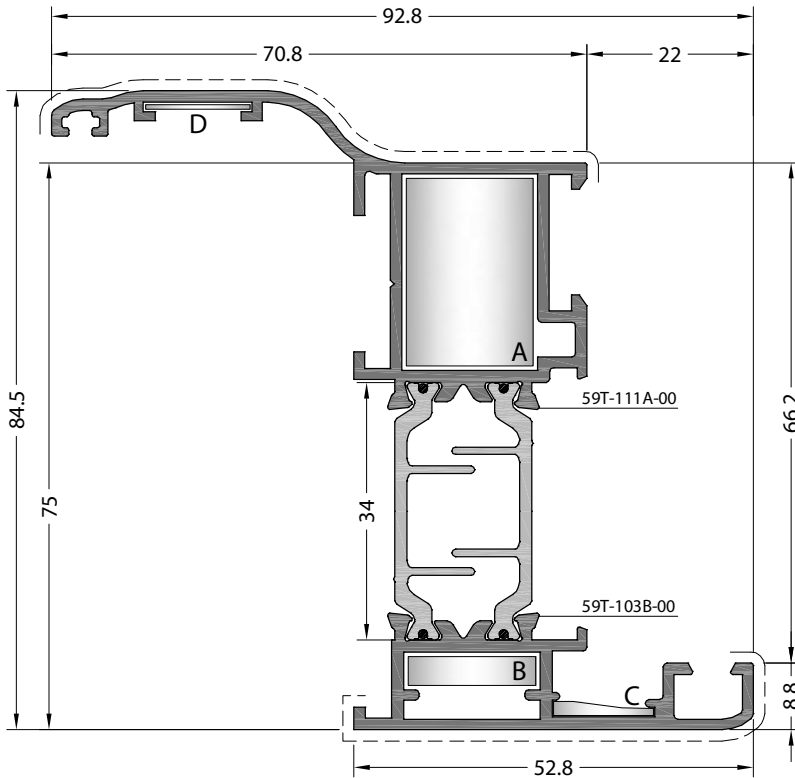
A LC-1826

**DIE-CAST ANGULAR
CORNER JOINT**

AÇILI PİMLİ BAĞLANTI



A LC-1828



CODE / KOD

75T-113-00

THEORETICAL WEIGHT kg/m

TEORİK AĞIRLIK kg/m

1.656

**CUTTED
CORNER JOINT**

KESİLMİŞ KÖŞE BAĞLANTI



A CC-122-25.5

*



A CC-154-25.5



B CC-122-04.5



C LC-122



D MK-20.1

**DIE-CAST
CORNER JOINT**

PİMLİ BAĞLANTI



A LC-1826

**DIE-CAST ANGULAR
CORNER JOINT**

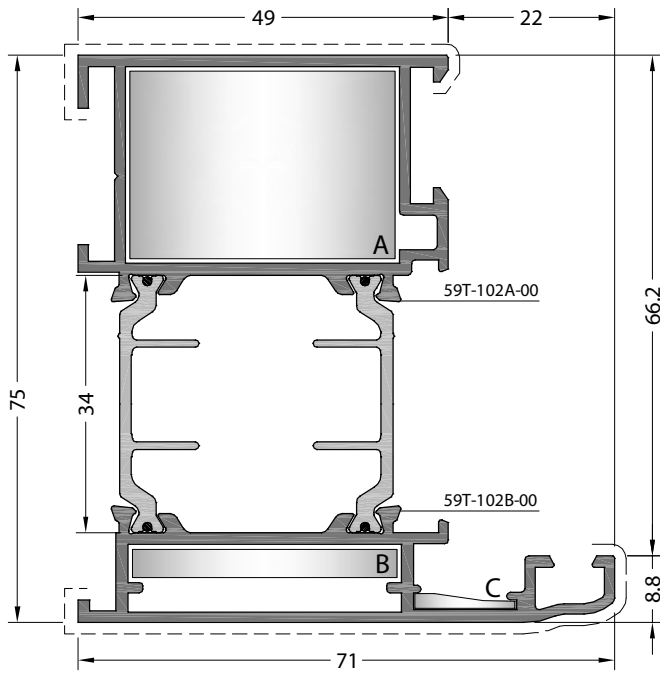
AÇILI PİMLİ BAĞLANTI



A LC-1828

* Use this extruded corner joint with PERIMETRIC accessories. (Aubi A300 & GU Uni jet D)

PERIMETRİK aksesuar kullanımında bu köşe takozunu kullanınız. (Aubi A300 & GU Uni jet D)



CODE / KOD

75T-102-00

THEORETICAL WEIGHT kg/m

TEORİK AĞIRLIK kg/m

1.712

CUTTED
CORNER JOINT

KESİLMİŞ KÖŞE BAĞLANTI



A CC-125-25.5



B CC-125-04.5



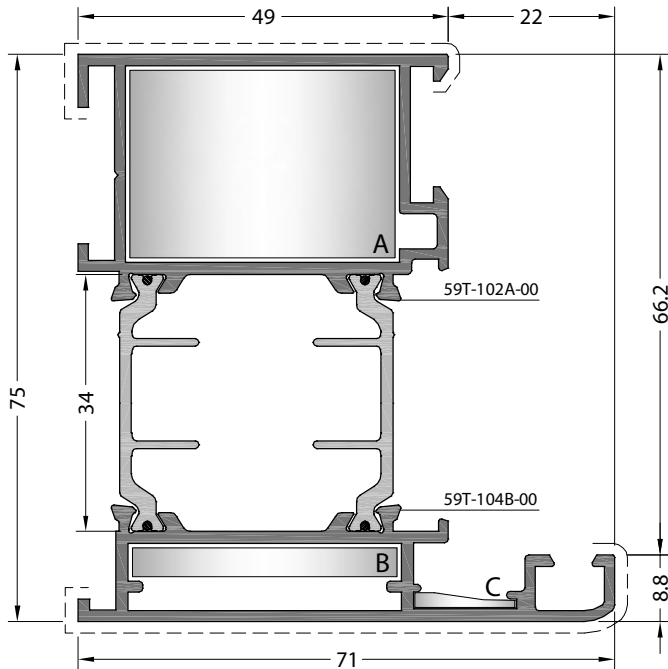
C LC-122

DIE-CAST
CORNER JOINT

PİMLİ BAĞLANTI



A LC-3626



CODE / KOD

75T-104-00

THEORETICAL WEIGHT kg/m

TEORİK AĞIRLIK kg/m

1.716

CUTTED
CORNER JOINT

KESİLMİŞ KÖŞE BAĞLANTI



A CC-125-25.5



B CC-125-04.5



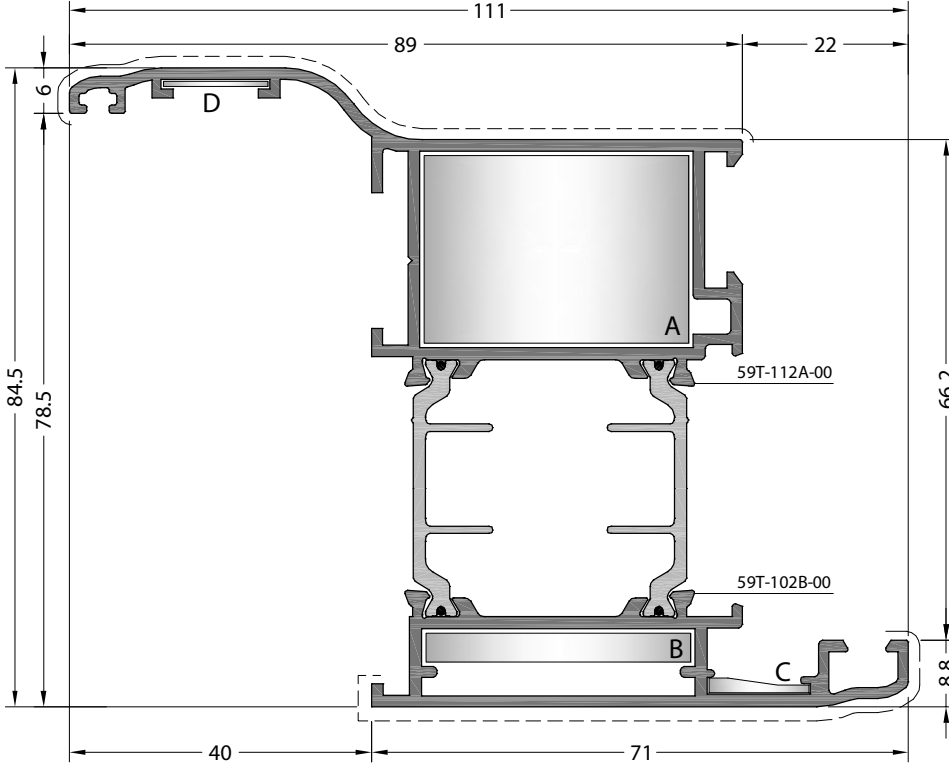
C LC-122

DIE-CAST
CORNER JOINT

PİMLİ BAĞLANTI



A LC-3626



CODE / KOD
75T-112-00

THEORETICAL WEIGHT kg/m
TEORİK AĞIRLIK kg/m

1.960

CUTTED
CORNER JOINT

KESİLMİŞ KÖŞE BAĞLANTI



A CC-125-25.5



B CC-125-04.5



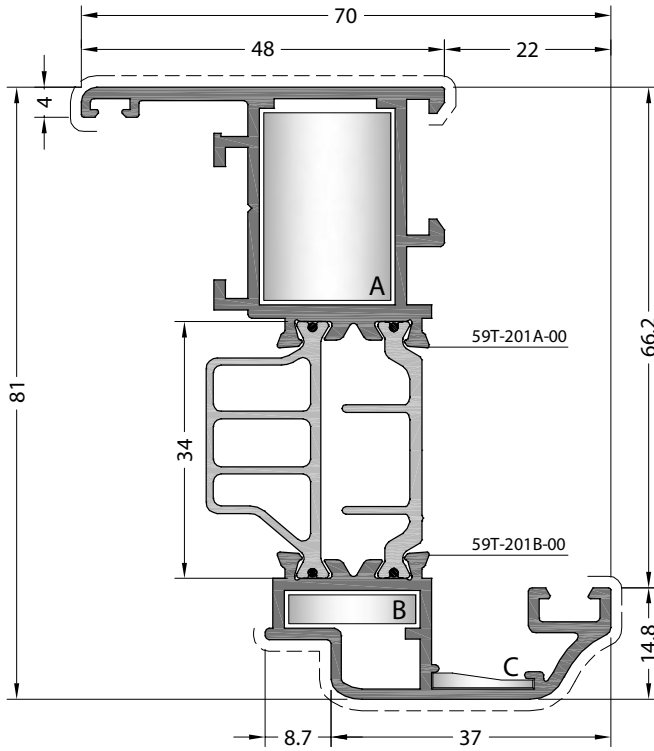
C LC-122

DIE-CAST
CORNER JOINT

PİMLİ BAĞLANTI



A LC-3626



CODE / KOD

75T-201-00

THEORETICAL WEIGHT kg/m

TEORİK AĞIRLIK kg/m

1.620

CUTTED
CORNER JOINT

KESİLMİŞ KÖŞE BAĞLANTI



A CC-122-25.5



B CC-122-04.5



C LC-122

DIE-CAST
CORNER JOINT

PİMLİ BAĞLANTI



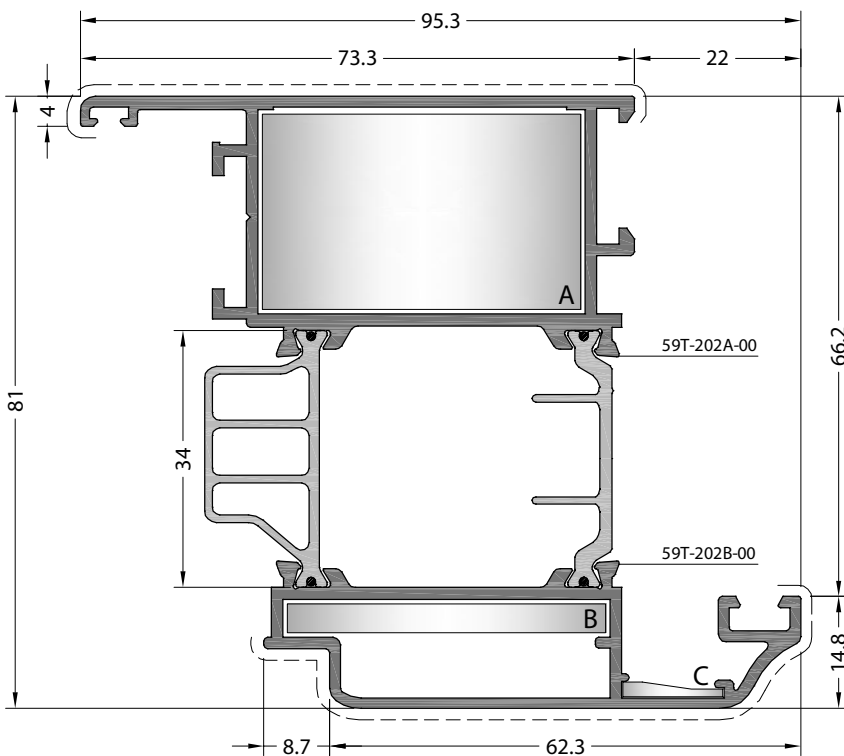
A LC-1826

DIE-CAST ANGULAR
CORNER JOINT

AÇILI PİMLİ BAĞLANTI



A LC-1828



CODE / KOD

75T-202-00

THEORETICAL WEIGHT kg/m

TEORİK AĞIRLIK kg/m

2.025

CUTTED
CORNER JOINT

KESİLMİŞ KÖŞE BAĞLANTI



A CC-105-26.5



B CC-105-04.5



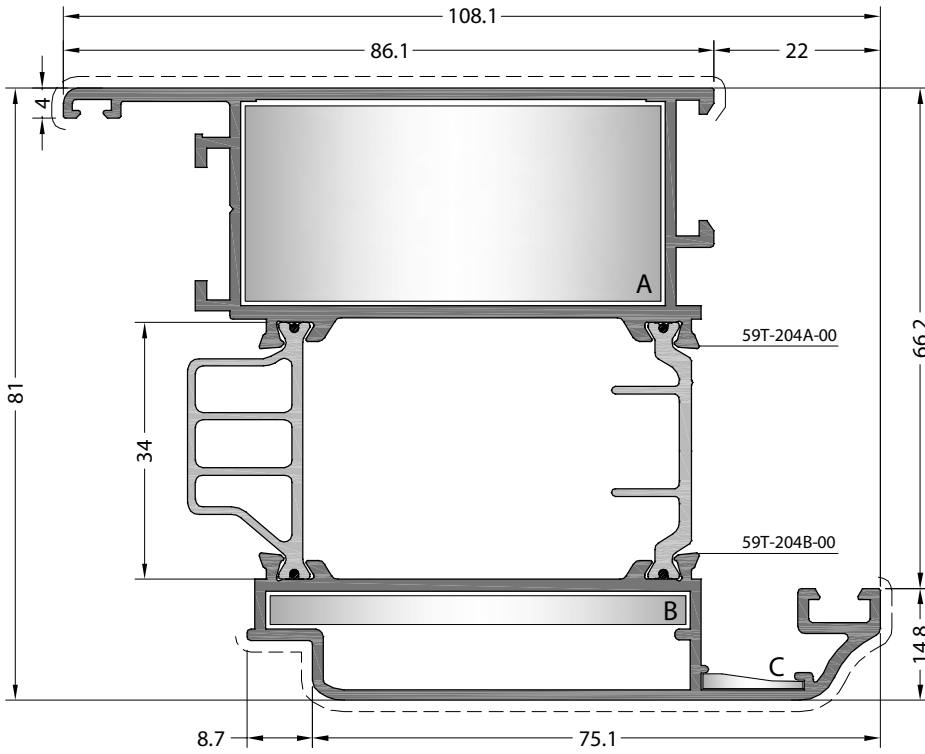
C LC-122

DIE-CAST
CORNER JOINT

PİMLİ BAĞLANTI



A LC-4327



CODE / KOD
75T-204-00

THEORETICAL WEIGHT kg/m
TEORİK AĞIRLIK kg/m

2.235

**CUTTED
CORNER JOINT**
KESİLMİŞ KÖŞE BAĞLANTI



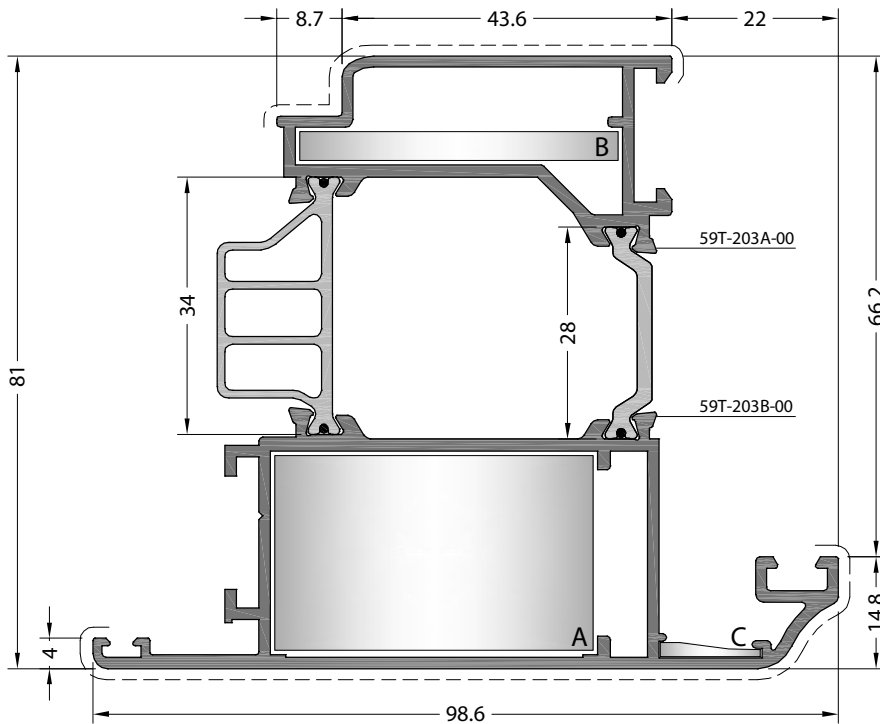
A CC-113-26.5



B CC-113-04.5



C LC-122



CODE / KOD
75T-203-00

THEORETICAL WEIGHT kg/m
TEORİK AĞIRLIK kg/m

2.095

**CUTTED
CORNER JOINT**
KESİLMİŞ KÖŞE BAĞLANTI



A CC-105-26.5



B CC-105-04.5

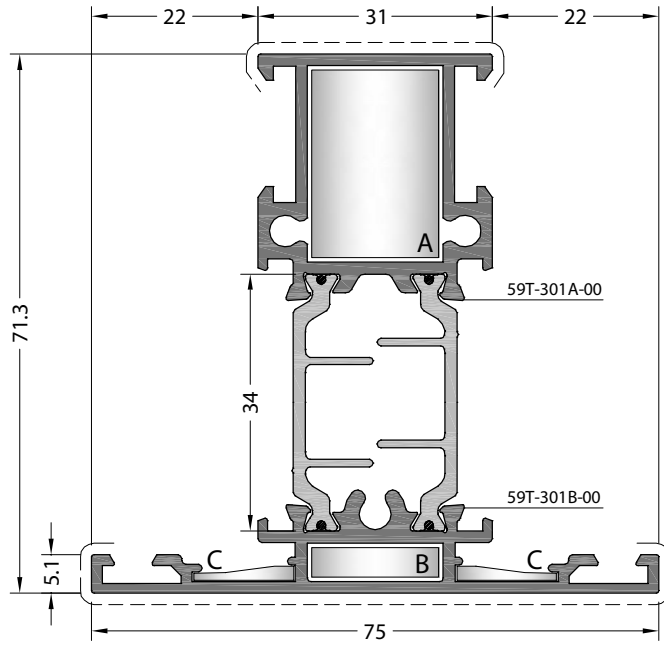


C LC-122

**DIE-CAST
CORNER JOINT**
PİMLİ BAĞLANTI



A LC-4327



CODE / KOD

75T-301-00

THEORETICAL WEIGHT kg/m

TEORİK AĞIRLIK kg/m

1.593

**CUTTED
CORNER JOINT**

KESİLMİŞ KÖŞE BAĞLANTI



A CC-122-25.5



B CC-122-04.5



C LC-122

**DIE-CAST
CORNER JOINT**

PİMLİ BAĞLANTI



A LC-1827



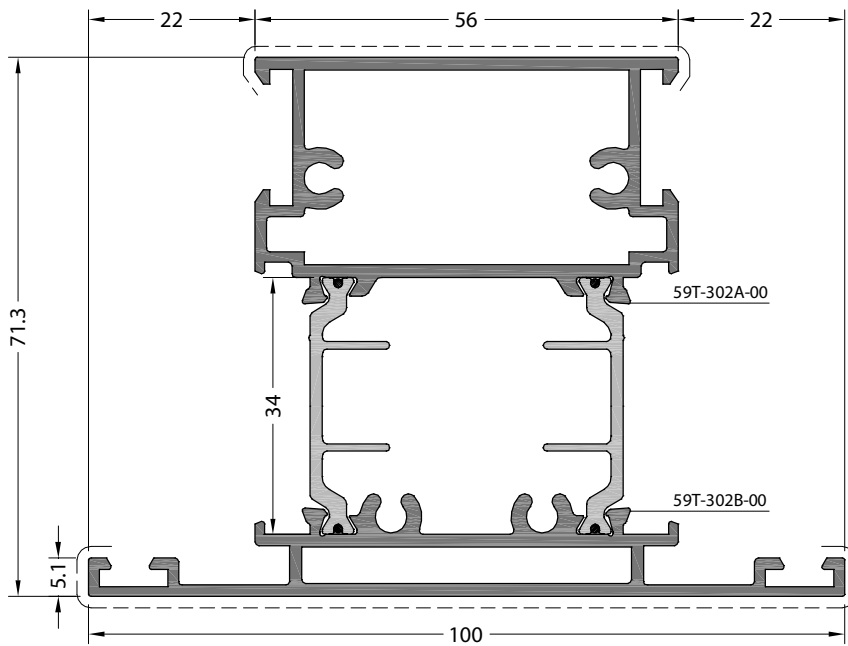
A LC-1826

**DIE-CAST ANGULAR
CORNER JOINT**

AÇILI PİMLİ BAĞLANTI



A LC-1828



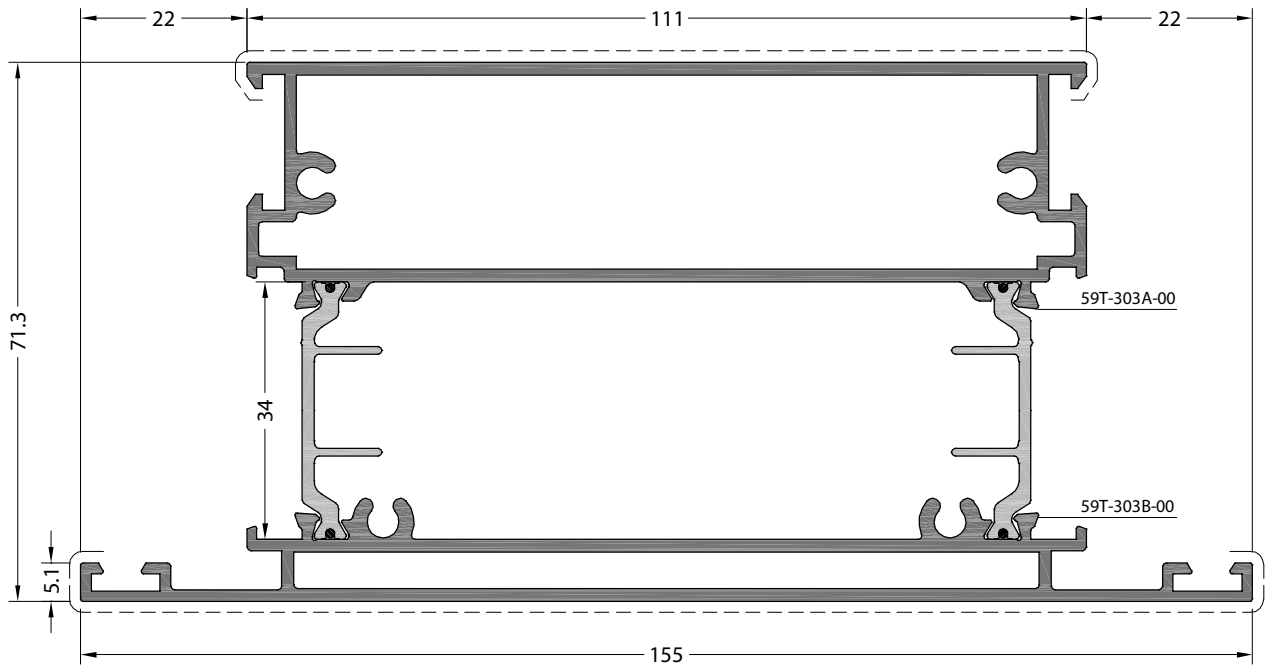
CODE / KOD

75T-302-00

THEORETICAL WEIGHT kg/m

TEORİK AĞIRLIK kg/m

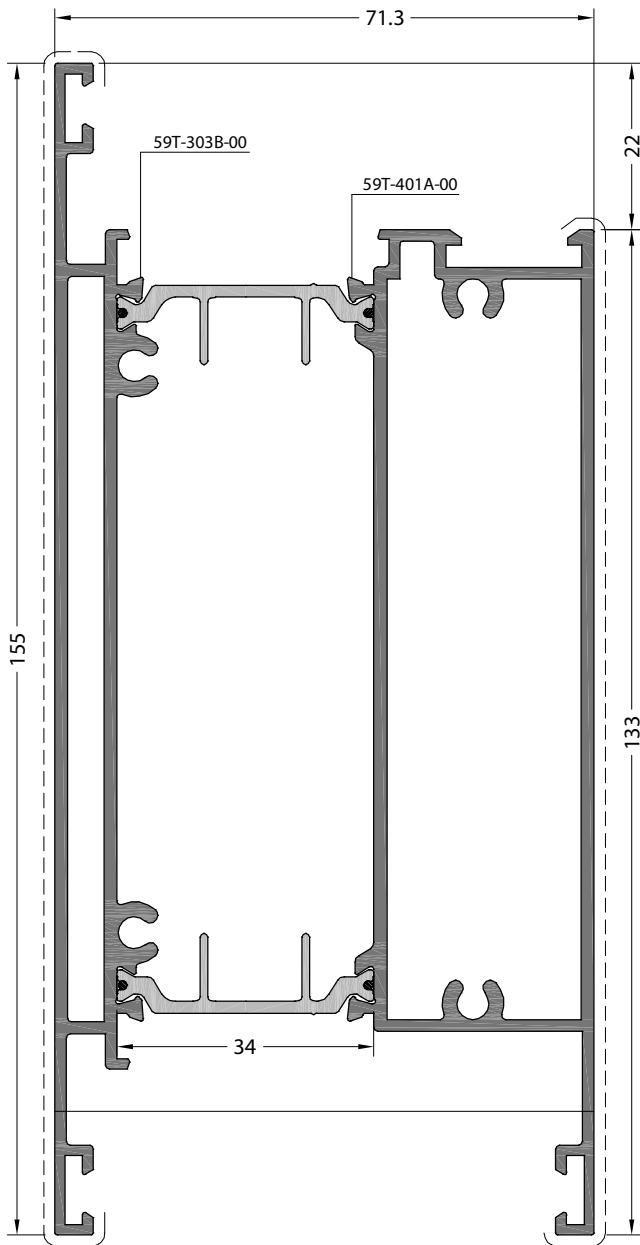
2.207



CODE / KOD
75T-303-00

THEORETICAL WEIGHT kg/m
TEORİK AĞIRLIK kg/m

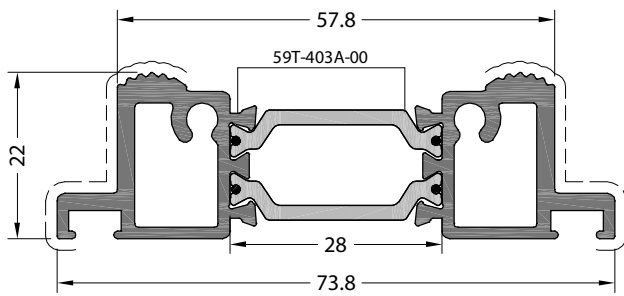
3.217



CODE / KOD
75T-401-00

THEORETICAL WEIGHT kg/m
TEORİK AĞIRLIK kg/m

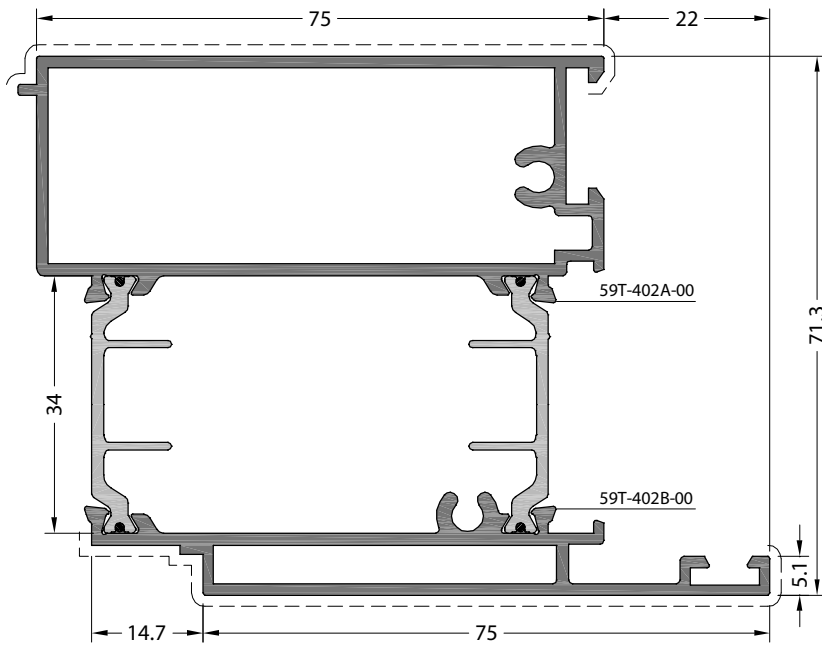
3.280



CODE / KOD
75T-403-00

THEORETICAL WEIGHT kg/m
TEORİK AĞIRLIK kg/m

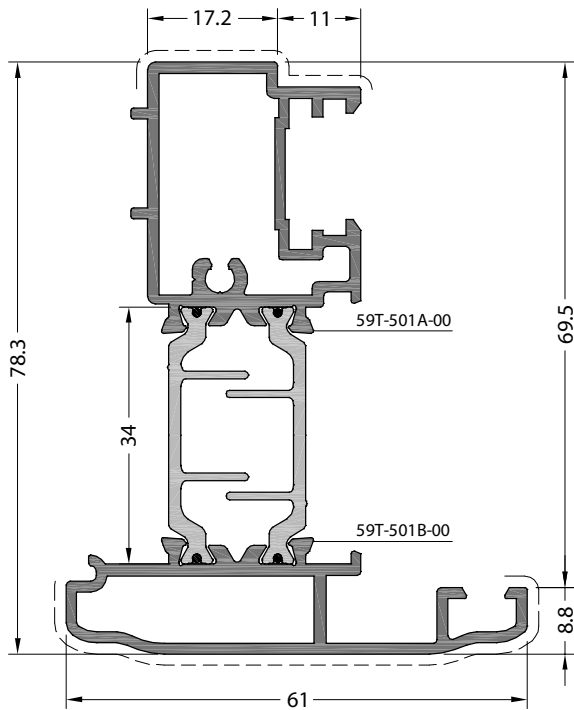
1.154



CODE / KOD
75T-402-00

THEORETICAL WEIGHT kg/m
TEORİK AĞIRLIK kg/m

2.084



CODE / KOD

75T-501-00

THEORETICAL WEIGHT kg/m

TEORİK AĞIRLIK kg/m

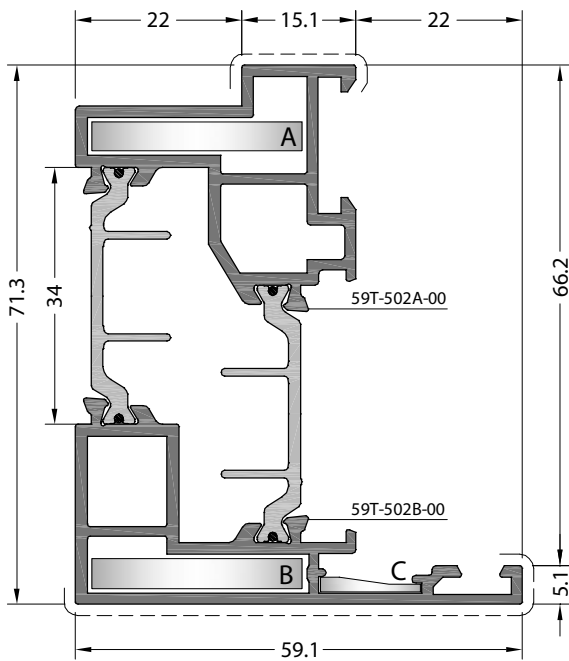
1.526

**CUTTED
CORNER JOINT**

KESİLMİŞ KÖŞE BAĞLANTI



A EM75T-501



CODE / KOD

75T-502-00

THEORETICAL WEIGHT kg/m

TEORİK AĞIRLIK kg/m

1.644

**CUTTED
CORNER JOINT**

KESİLMİŞ KÖŞE BAĞLANTI



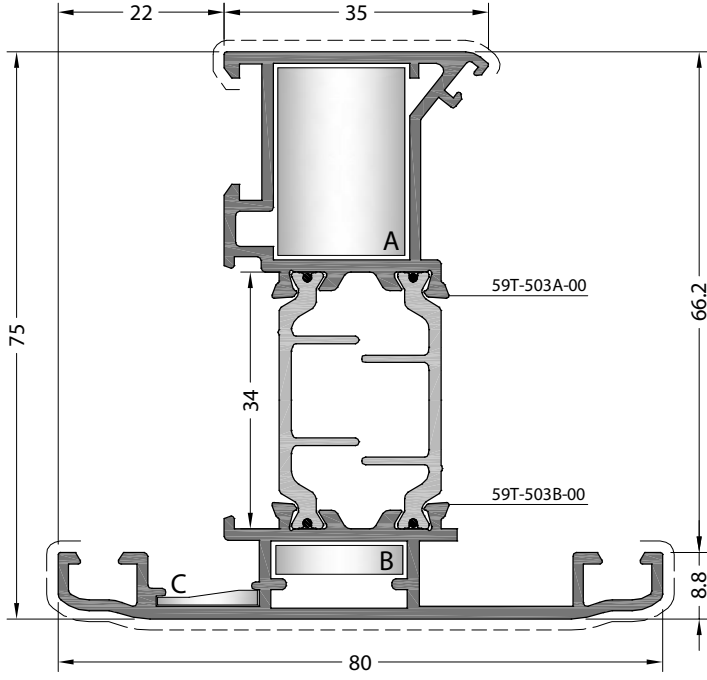
A CC-123-04.5



B CC-123-04.5



C LC-122



CODE / KOD

75T-503-00

THEORETICAL WEIGHT kg/m

TEORİK AĞIRLIK kg/m

1.619

CUTTED
CORNER JOINT

KESİLMİŞ KÖŞE BAĞLANTI



A CC-122-25.5



B CC-122-04.5



C LC-122

DIE-CAST
CORNER JOINT

PİMLİ BAĞLANTI



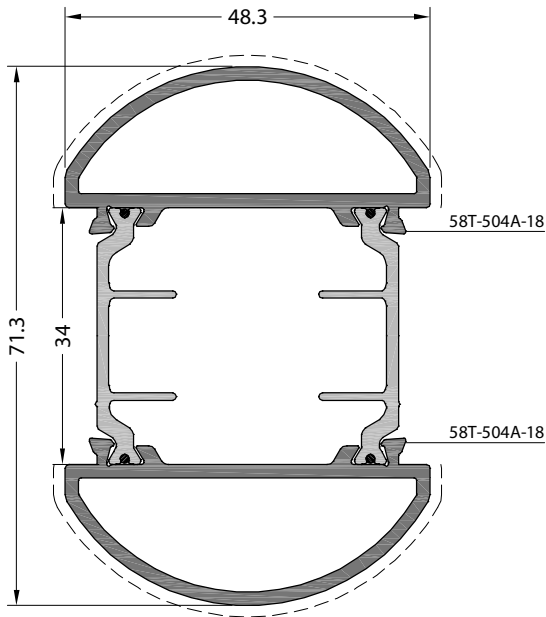
A LC-1826

DIE-CAST ANGULAR
CORNER JOINT

AÇILI PİMLİ BAĞLANTI



A LC-1828



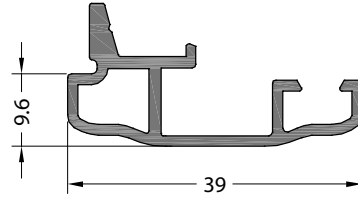
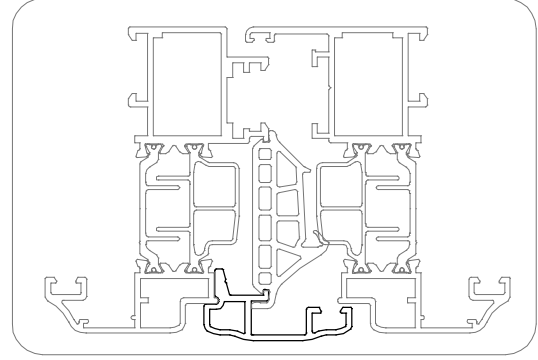
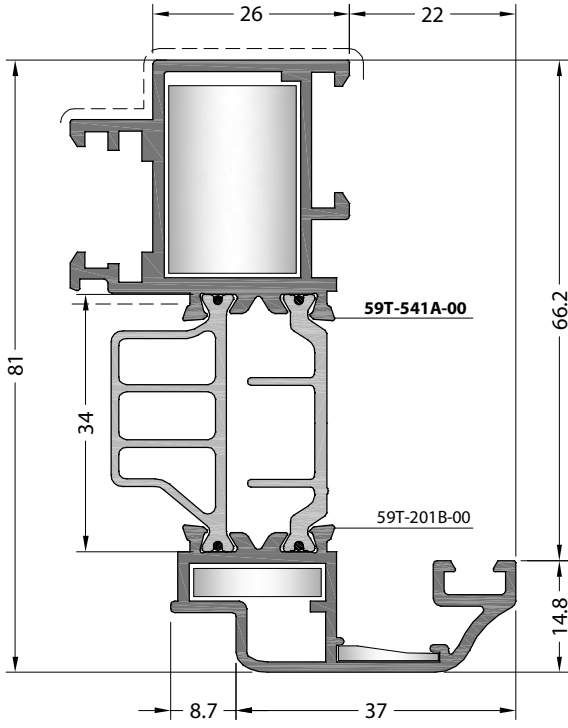
CODE / KOD

75T-504-18

THEORETICAL WEIGHT kg/m

TEORİK AĞIRLIK kg/m

1.440



CODE / KOD

75T-541-00

THEORETICAL WEIGHT kg/m
TEORİK AĞIRLIK kg/m

1.603

**CUTTED
CORNER JOINT**

KESİLMİŞ KÖŞE BAĞLANTI



A CC-122-25.5



B CC-122-04.5



C LC-122



D MK-20.1

**DIE-CAST
CORNER JOINT**

PİMLİ BAĞLANTI



A LC-1826

**DIE-CAST ANGULAR
CORNER JOINT**

AÇILI PİMLİ BAĞLANTI



A LC-1828

CODE / KOD

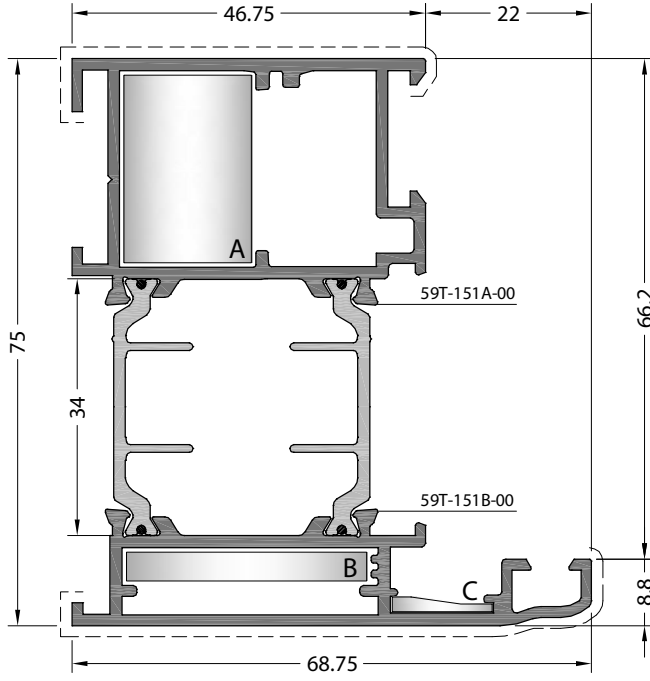
59T-542-00

THEORETICAL WEIGHT kg/m
TEORİK AĞIRLIK kg/m

0.401

profiles / profiller

perimetric / perimetrik



CODE / KOD

75T-151-00

THEORETICAL WEIGHT kg/m

TEORİK AĞIRLIK kg/m

1.727

**CUTTED
CORNER JOINT**

KESİLMİŞ KÖŞE BAĞLANTI



A CC-122-25.5



B CC-124-04.5



C LC-122

**DIE-CAST
CORNER JOINT**

PİMLİ BAĞLANTI



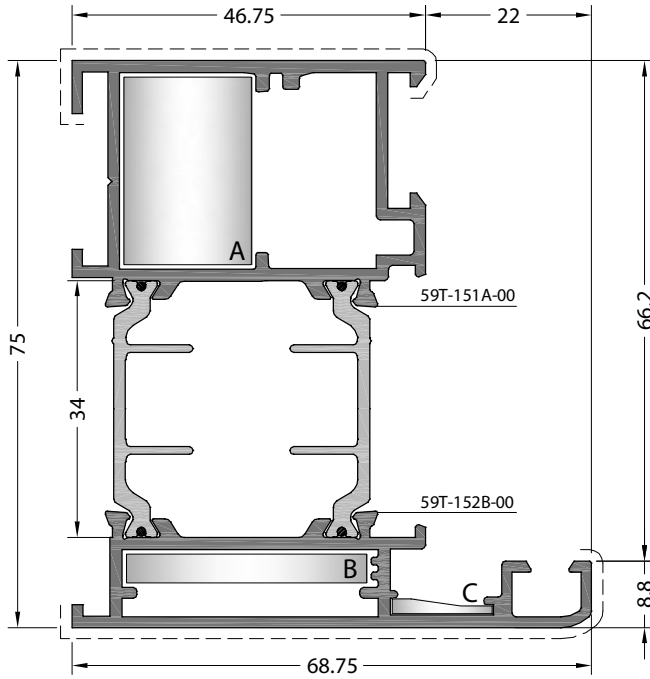
A LC-1826

**DIE-CAST ANGULAR
CORNER JOINT**

AÇILI PİMLİ BAĞLANTI



A LC-1828



CODE / KOD

75T-152-00

THEORETICAL WEIGHT kg/m

TEORİK AĞIRLIK kg/m

1.730

**CUTTED
CORNER JOINT**

KESİLMİŞ KÖŞE BAĞLANTI



A CC-122-25.5



B CC-124-04.5



C LC-122

**DIE-CAST
CORNER JOINT**

PİMLİ BAĞLANTI



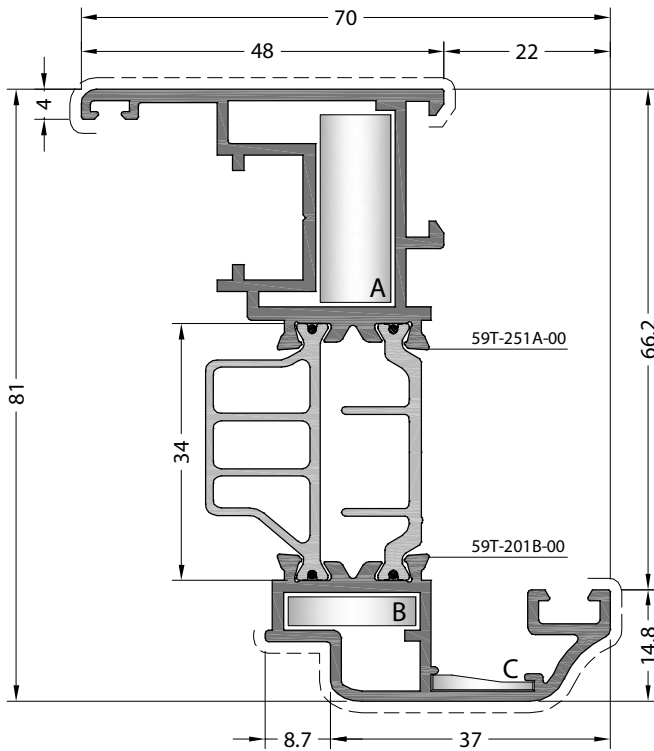
A LC-1826

**DIE-CAST ANGULAR
CORNER JOINT**

AÇILI PİMLİ BAĞLANTI



A LC-1828



CODE / KOD

75T-251-00

THEORETICAL WEIGHT kg/m

TEORİK AĞIRLIK kg/m

1.669

CUTTED
CORNER JOINT

KESİLMİŞ KÖŞE BAĞLANTI



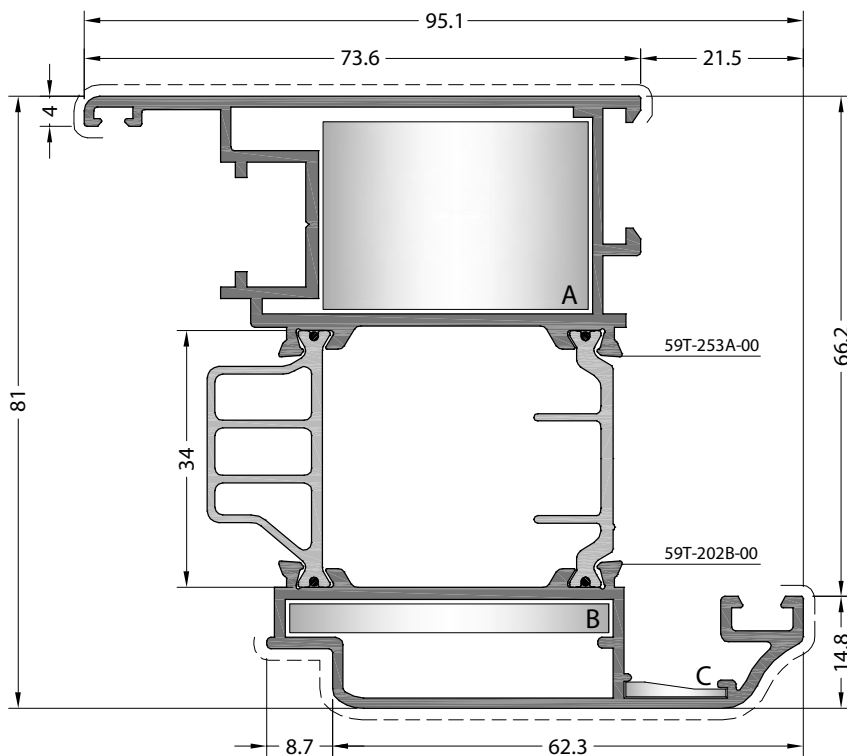
A CC-121-25.5



B CC-122-04.5



C LC-122



CODE / KOD

75T-253-00

THEORETICAL WEIGHT kg/m

TEORİK AĞIRLIK kg/m

2.080

CUTTED
CORNER JOINT

KESİLMİŞ KÖŞE BAĞLANTI

DIE-CAST
CORNER JOINT

PİMLİ BAĞLANTI



A CC-125-25.5



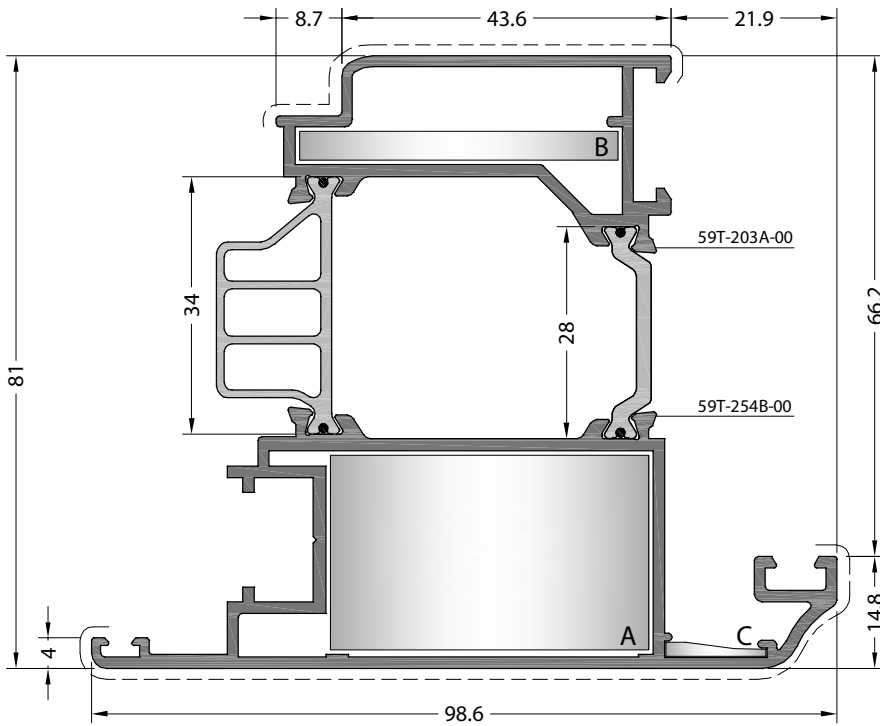
A LC-3626



B CC-105-04.5



C LC-122



CODE / KOD

75T-254-00

THEORETICAL WEIGHT kg/m

TEORİK AĞIRLIK kg/m

2.135

CUTTED
CORNER JOINT

KESİLMİŞ KÖŞE BAĞLANTI

DIE-CAST
CORNER JOINT

PİMLİ BAĞLANTI



A CC-105-26.5



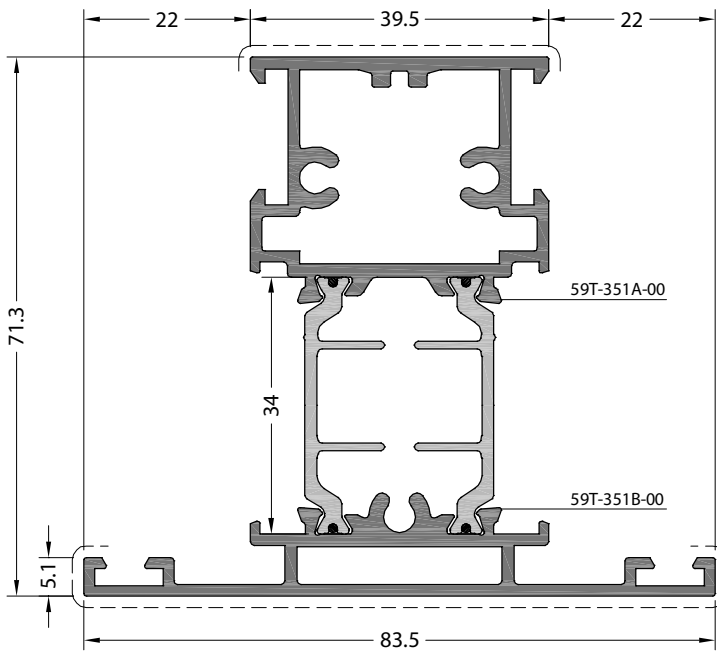
A LC-4327



B CC-105-04.5



C LC-122



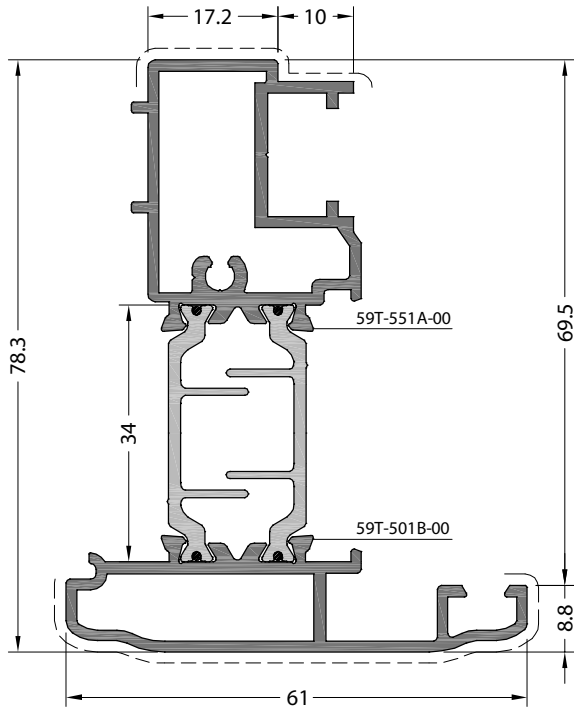
CODE / KOD

75T-351-00

THEORETICAL WEIGHT kg/m

TEORİK AĞIRLIK kg/m

1.882



CODE / KOD

75T-551-00

THEORETICAL WEIGHT kg/m

TEORİK AĞIRLIK kg/m

1.520

**CUTTED
CORNER JOINT**

KESİLMİŞ KÖŞE BAĞLANTI

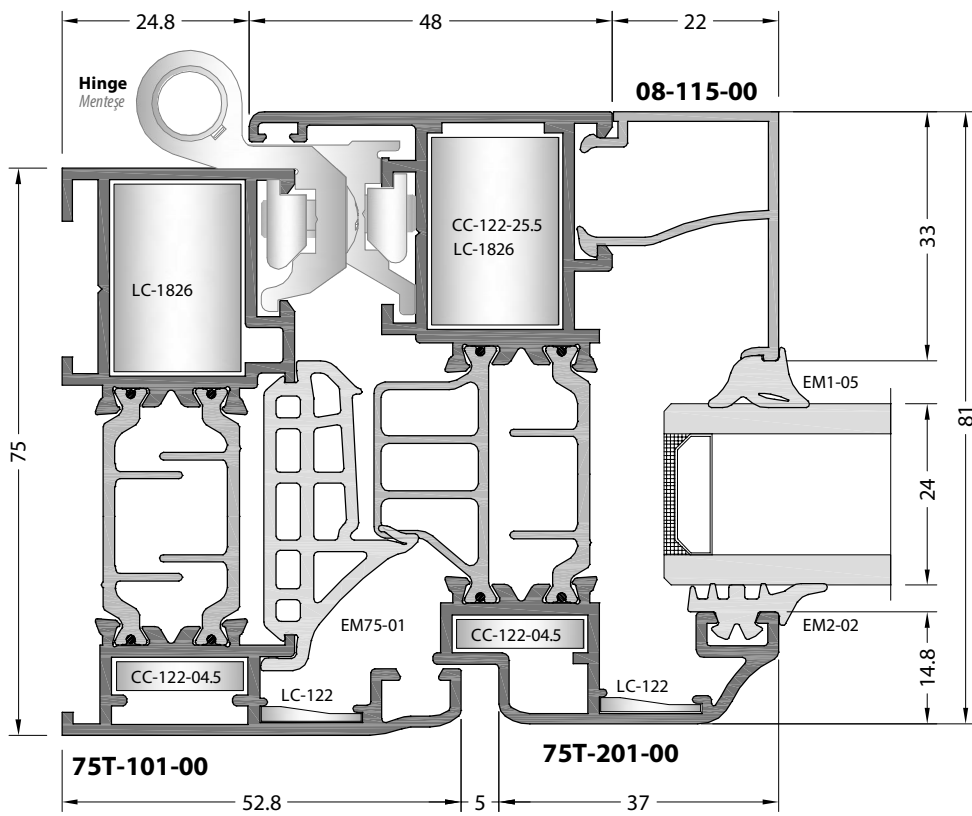
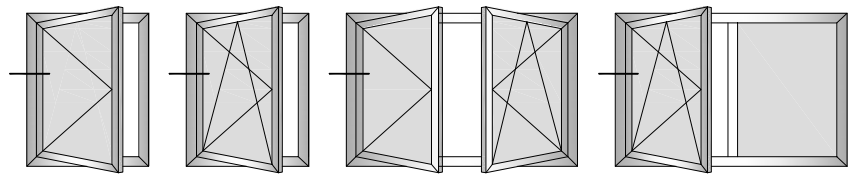


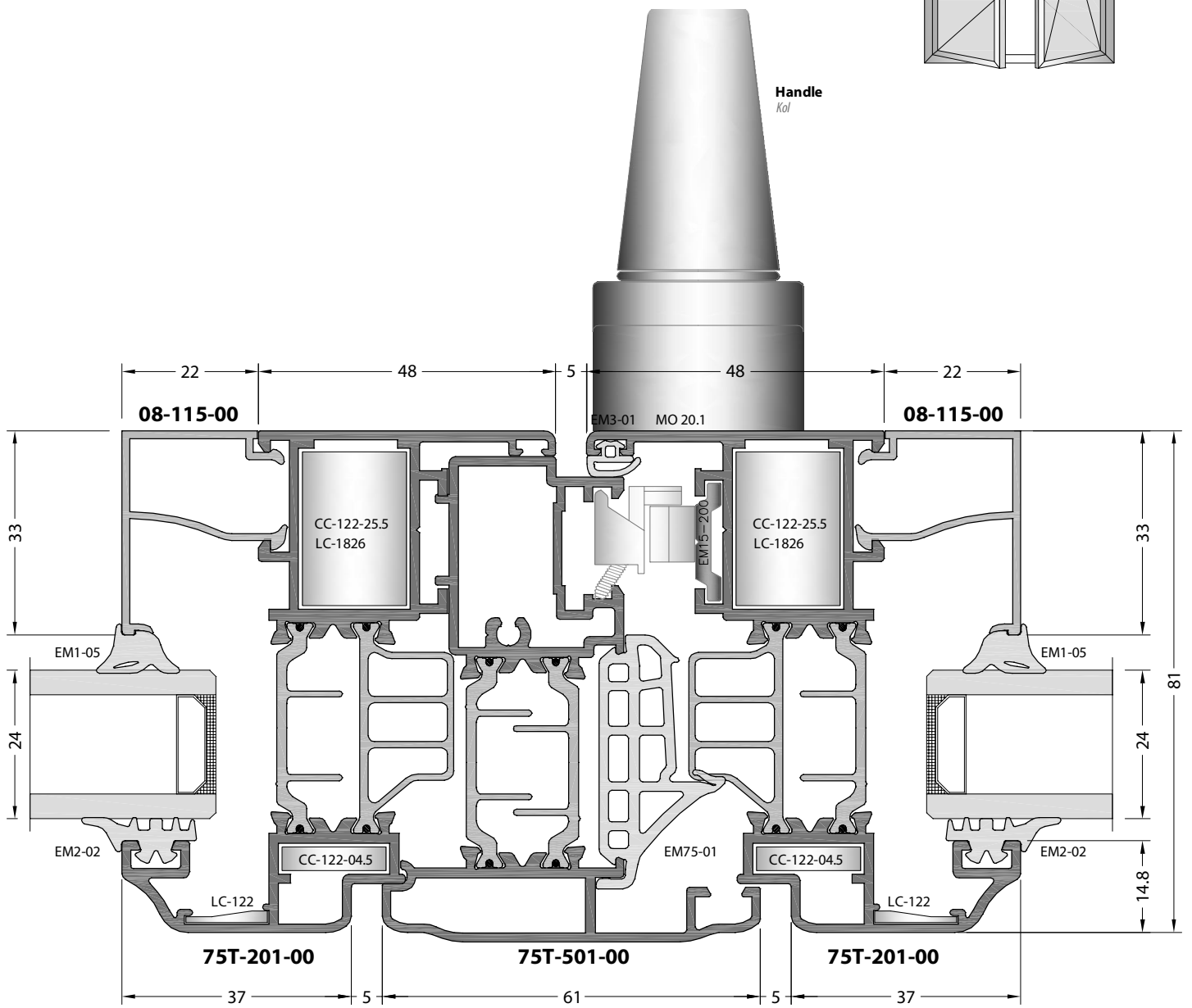
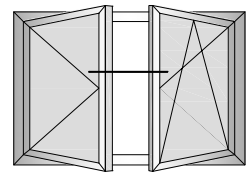
A EM75T-551

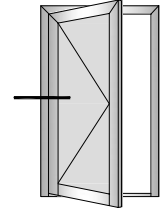
75T SYSTEM

75T SİSTEM

details / detaylar







inside opening door / İçe açılır kapı

